



Edition : 2.0  
Date: (10/24)

## Instruction Manual

# PLASMA WELDING TABLE PCT-7510

Order Code: (W08602)

### PCT-7510 PLASMA CUTTING TABLE

Order Code: W08602



Due to the weight of the table, it is highly recommended that you have a second person to assist during the build of the table, being made from steel it is heavy and help should be obtained to avoid any injuries. Always remember to wear the appropriate PPE.

### Suggestion of what you will need

Note - this assembly guide is merely a recommendation and should not be followed blindly, if you do not have the equipment or the experience necessary to complete this project you should consider seeking advice from a professional.

- File for deburring any sharp edges.
- Level and square to ensure all components are square.
- Hex keys, spanners or shifting spanner and a soft face hammer.

**NOTE:** You may consider to use other methods and tools to help complete your project, the above list is just a suggestion. read through these instructions before starting the assembly process.

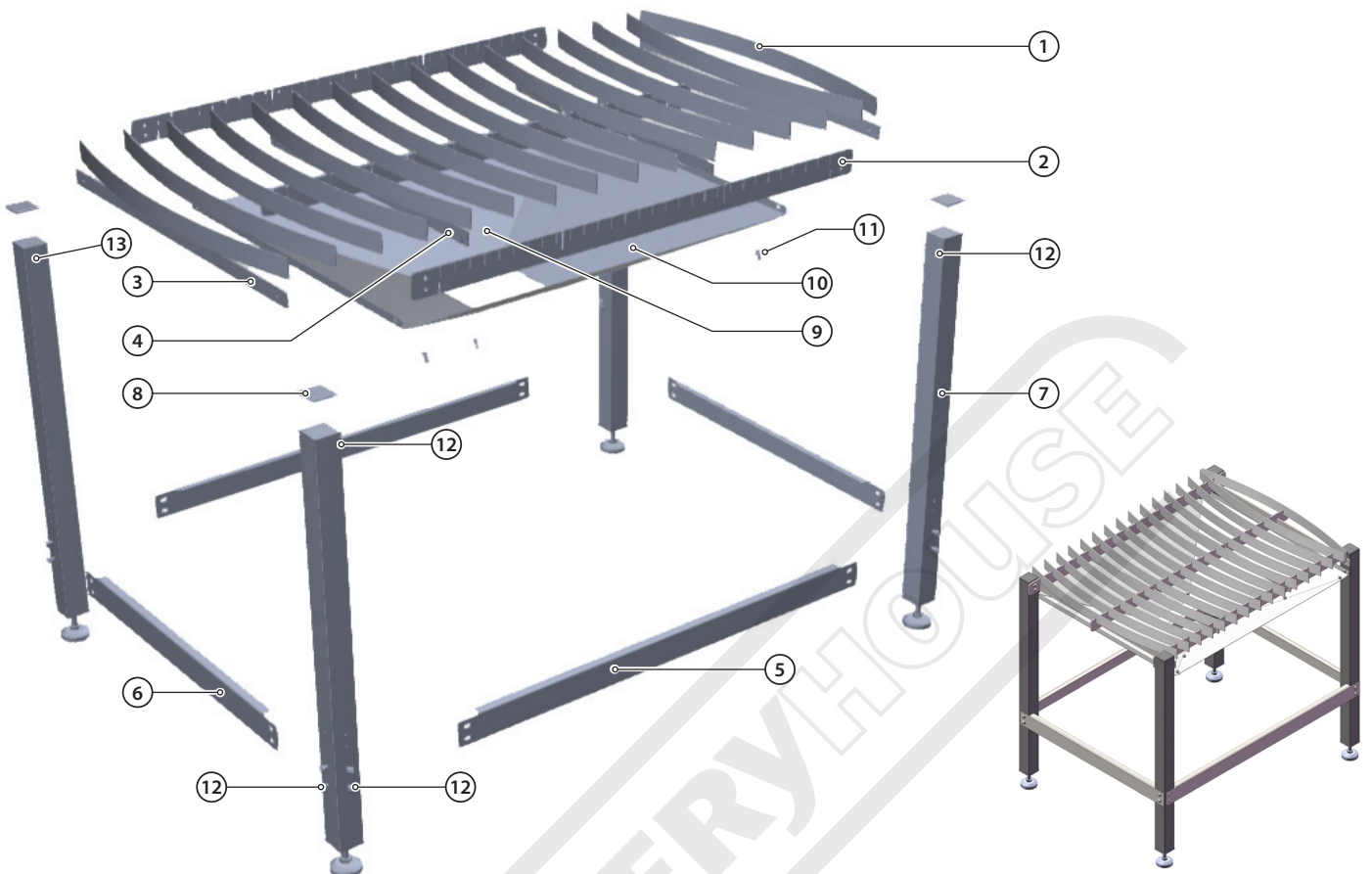
### Getting Started

Before starting the assembly ensure you have the correct tools & equipment to successfully assemble the table whilst making sure you are wearing the appropriate Safety PPE.




### Check for Burrs


It is normal for the components to have small burrs or minor imperfections as part of the laser cutting process. While wearing protective gloves, check the edges of the individual pieces and visually inspect them for any small burrs. If you do happen to find one, use a file to remove any burrs, being careful not to remove too much excess material as it may affect the end result.



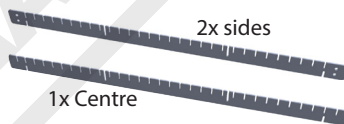
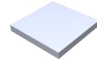



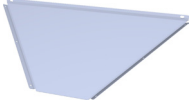
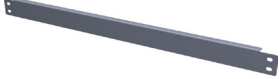






## Parts list

Please check that you have all the below parts before you assemble this product

**14.** Wheel Plate Kit Qty: 4 

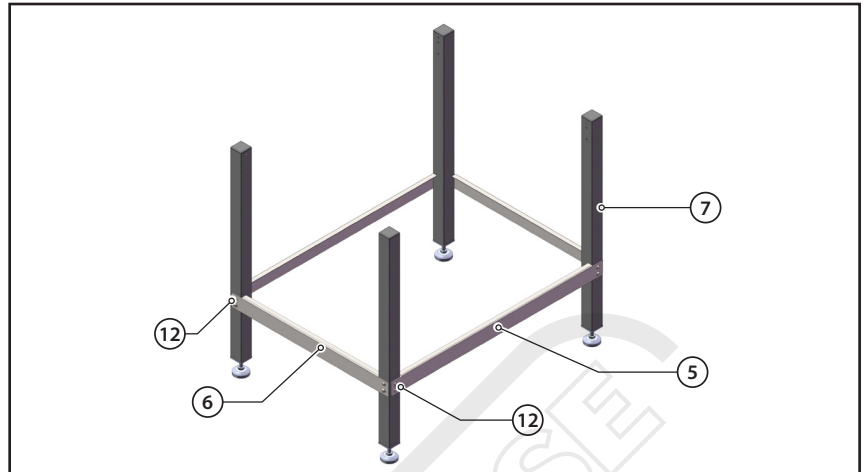
**15.** M10x20mm Bolt Kit Qty: 16 

Part	Image	Part	Image
<b>1.</b> Table Ribs Qty: 16		<b>7.</b> Legs Qty: 4	
<b>2.</b> Long Ribs (2 x Sides, 1x Centre) Qty: 3		<b>8.</b> Leg Top Caps Qty: 4	
<b>3.</b> Cross Rib Ends Qty: 2		<b>9.</b> Long Chute Sides Qty: 2	
<b>4.</b> Cross Rib Centres Qty: 2		<b>10.</b> Short Chute Sides Qty: 2	
<b>5.</b> Long Leg Braces Qty: 2		<b>11.</b> M6 Screws & Dome Nuts Qty: 12	
<b>6.</b> Short Leg Braces Qty: 2		<b>12.</b> M8x10 Screws Qty: 20	
		<b>13.</b> M8x16 Screws Qty: 12	

## Step 1

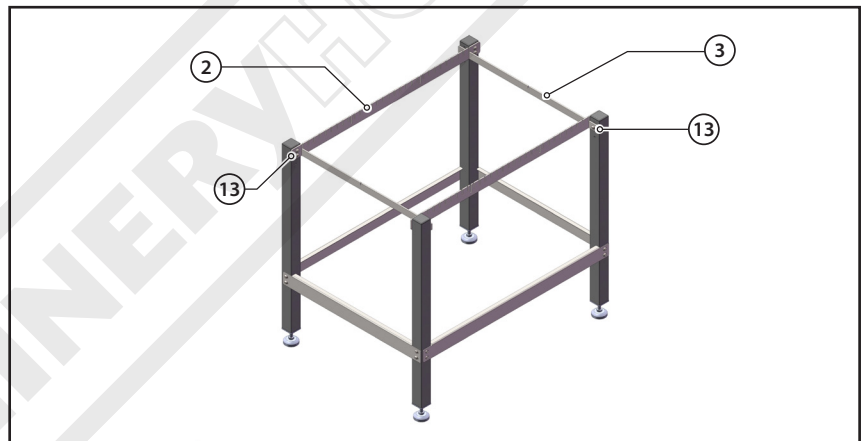
Assemble 4 x legs #7 and leg braces #5 & #6 together using 16 x M8x10 Screws #12 as shown. Adjust feet to ensure the legs are all the same height from ground and make sure its assembled on a flat level surface.

NOTE: Leave screws loose for now.



## Step 2

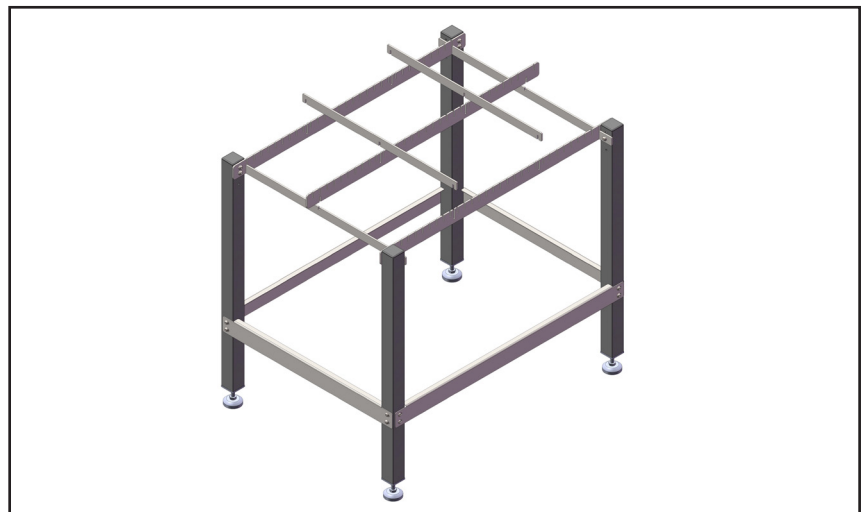
Assemble the 2 x long Side Ribs #2 and 2 x cross ribs ends #3 together using 12 x M8x16 Screws #13.



## Step 3

Using the slots provided. Assemble 2 x Cross Rib Centres #4 on top of the Long Rib Centre #2 and line up with the corresponding slots of the Long Rib Sides #2 as shown in the diagram.

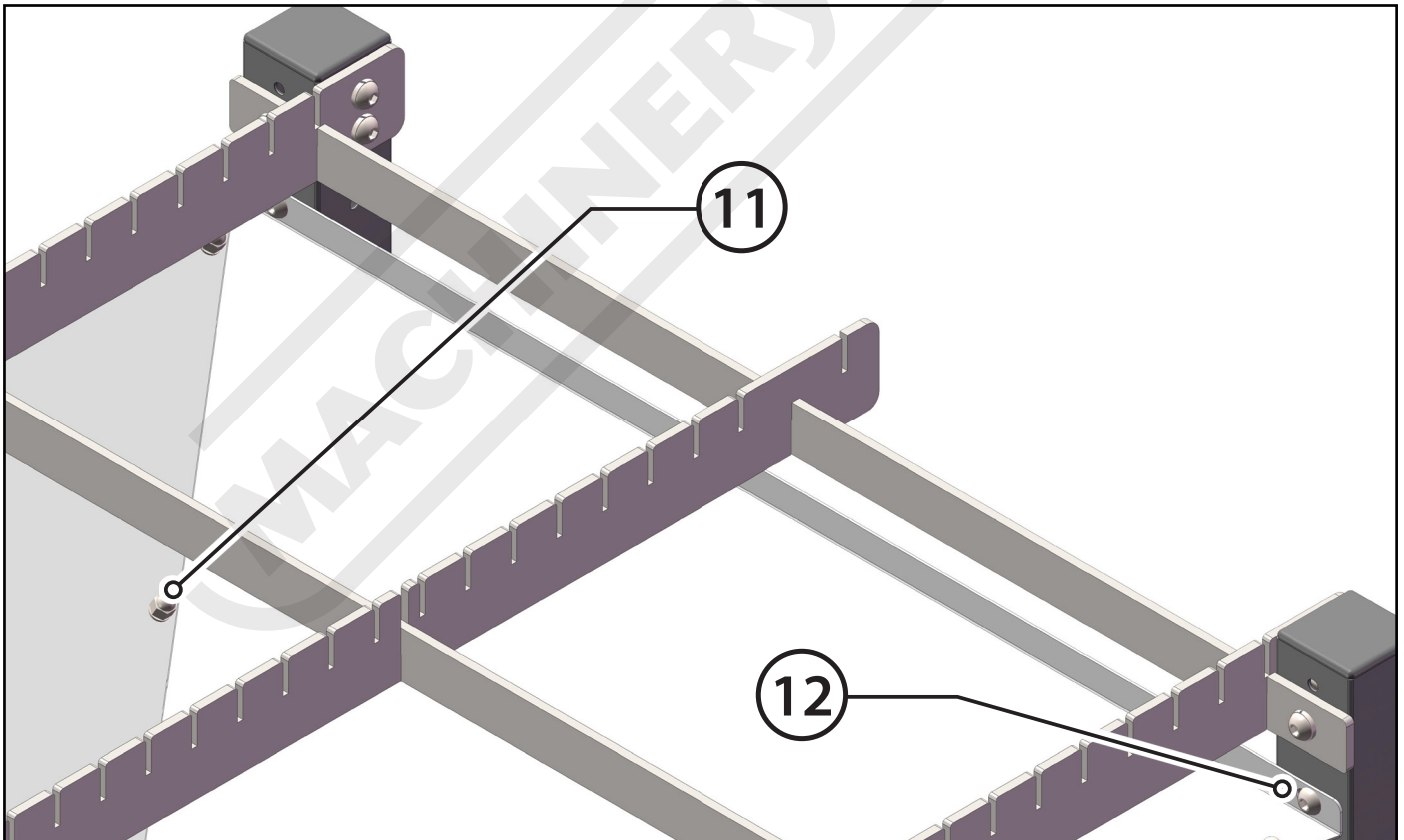
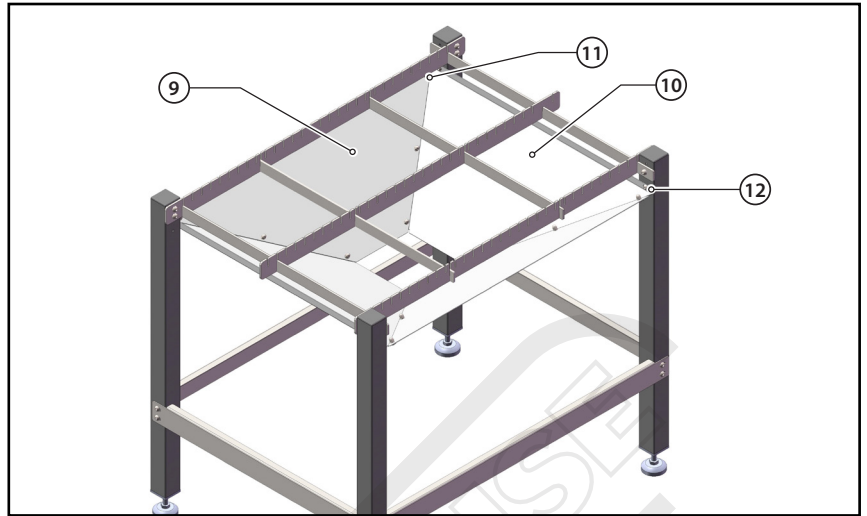
Use a soft-face hammer to lightly tap the components into place. If they do not fit correctly the first time, be sure to check for any small burrs and then try again.



## Step 4

Assemble the chute using 12 x M6 screws & dome nuts #11 and use 4 x M8x10 screws #12 to attach to the plasma cutting table as shown.

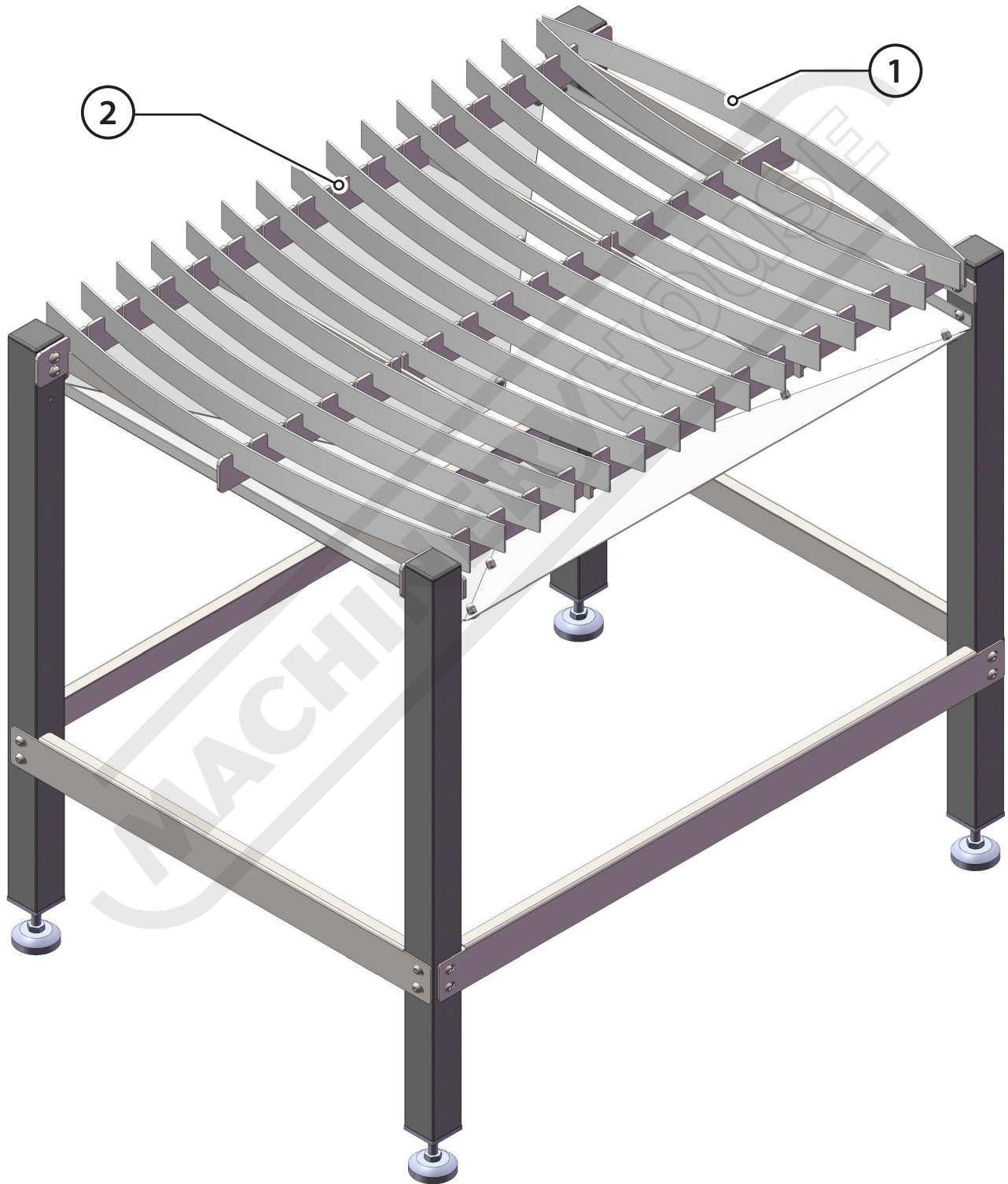
NOTE: Leave screws loose for now.



## Step 5

Insert all 16 x table ribs #1 into the long rib #2 slots and if necessary use a soft face hammer to tap in flush as shown. Now tighten all screws.

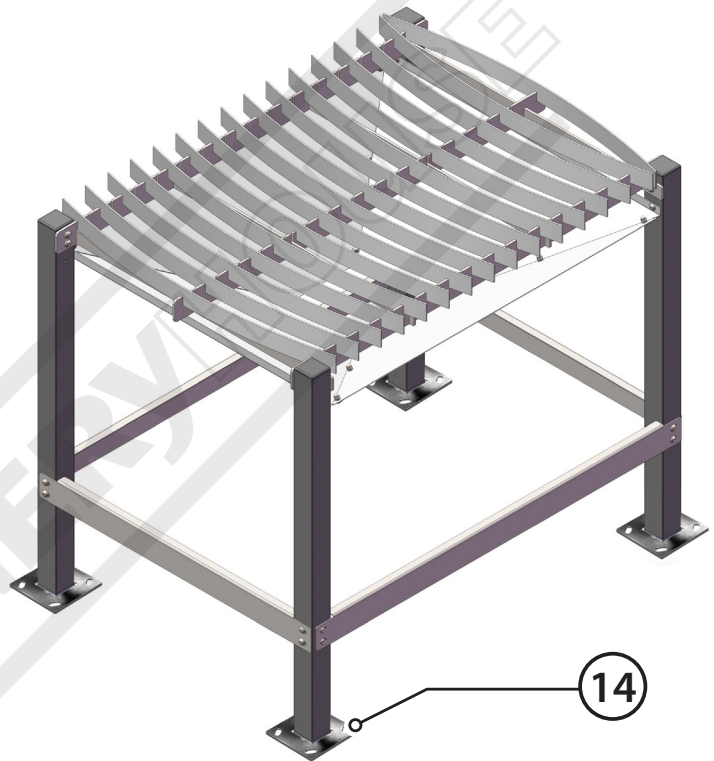
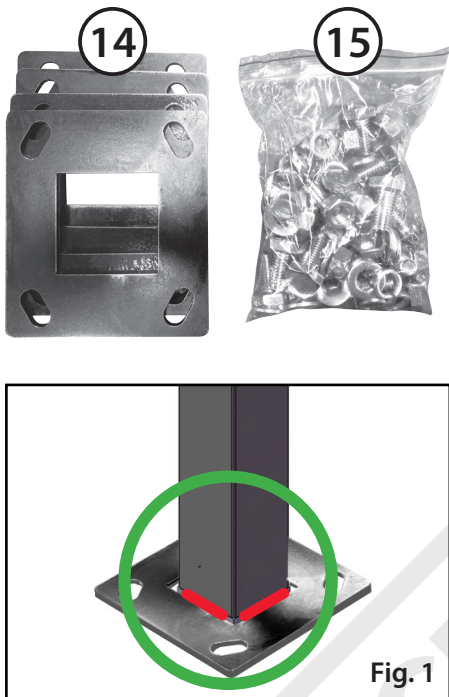
Your plasma cutting table is now ready for use.



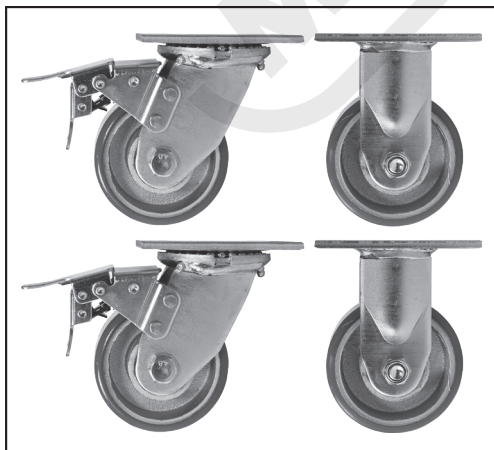
## How to Weld the Wheel Brackets onto legs for Optional Wheel Kit

This Plasma Table is supplied with 4 x weld-on Plates #14 and M10x20mm Bolt Kit #15 to suit the Optional Wheel Kit (C408)

- STEP 1.** Remove the adjustable feet from the bottom of each leg.
- STEP 2.** Sand away any paint from bottom of the legs where the wheel plates will be welding on.
- STEP 3.** On a Flat level ground or on a Welding Table - Position Wheel plates at the base of each leg making sure the four plated are level with each other and flat to the ground.
- STEP 4.** Weld the four wheel plates onto the bottom of the legs as shown in (Fig. 1) below.
- STEP 5.** Using lifting equipment, lift the plasma table up to fit the optional wheels (C408) using supplied M10x20mm bolts and nuts with washers and spring washers #15.
- STEP 6.** Make sure you tighten all bolts before use.



## Optional Wheel Kit



CW-102 - Ø100mm Industrial Caster Wheel Set  
2 x Fixed, 2 x Swivel/Brake  
**Order Code: (C408)**



### ENVIRONMENT PROTECTION

Recycle unwanted materials instead of disposing of them as waste. All tools, accessories and packaging should be sorted, taken to a recycling centre and disposed of in a manner which is compatible with the environment. When the product becomes completely unserviceable and requires disposal, drain any fluids (if applicable) into approved containers and dispose of the product and fluids according to local regulations.

Imported by

**HARE & FORBES**  
**MACHINERYHOUSE**

Australian Distributor

**Hare & Forbes**  
**Machineryhouse**  
Sydney - Melbourne  
Adelaide - Brisbane - Perth

Ph: 1300 202 200  
[www.machineryhouse.com.au](http://www.machineryhouse.com.au)

**MACHINERYHOUSE**

New Zealand Distributor

**Machineryhouse**  
Auckland  
Christchurch

Ph: 0800 142 326  
[www.machineryhouse.co.nz](http://www.machineryhouse.co.nz)