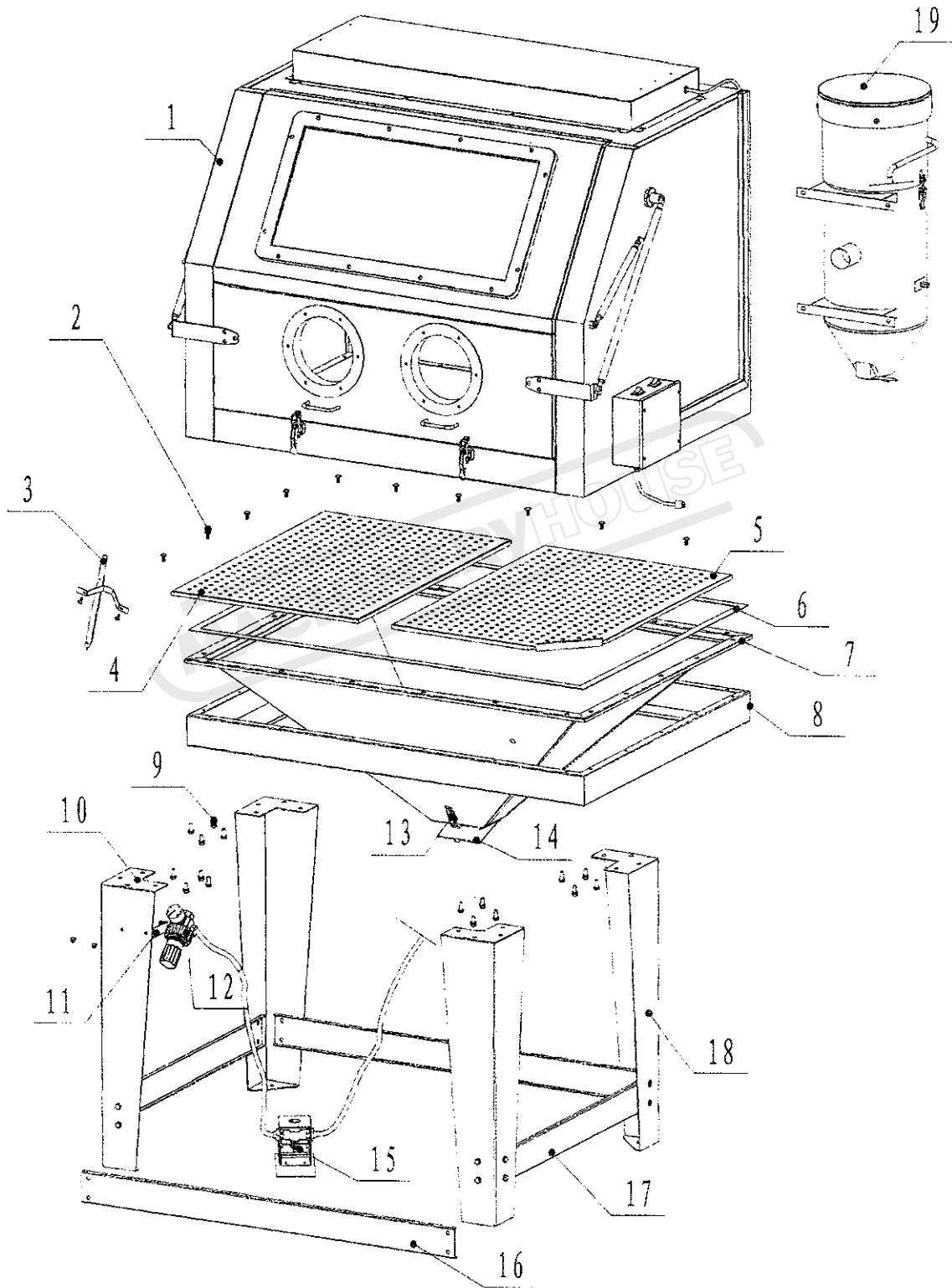
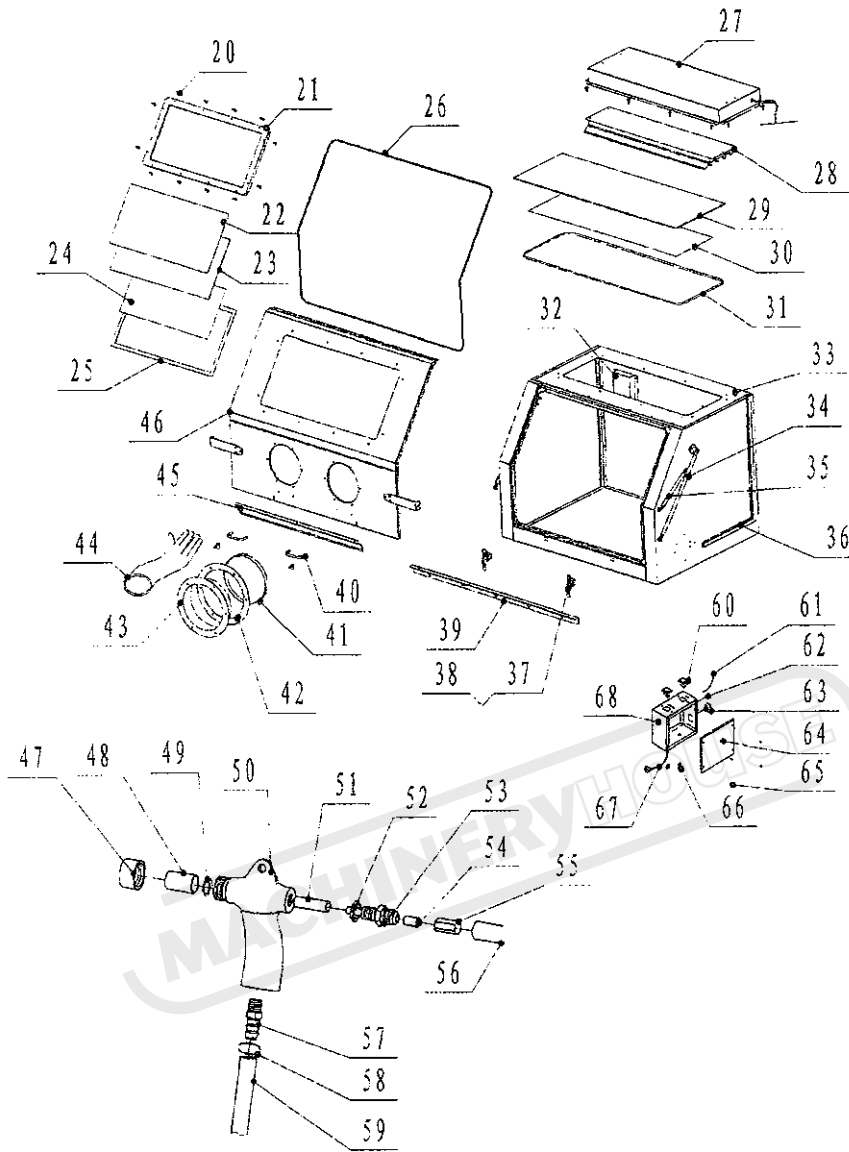


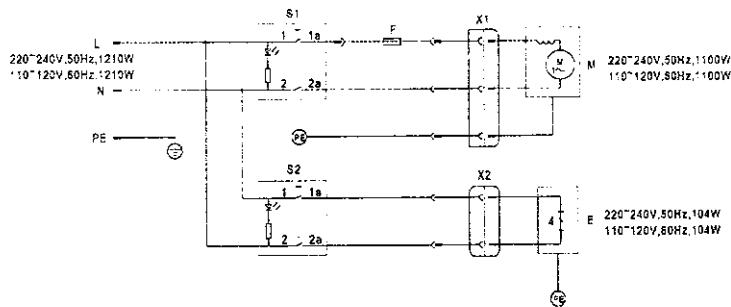
PARTS DIAGRAM-1



PARTS DIAGRAM-2



WIRING DIAGRAM



L PHASE WIRE  
 N NEUTRAL WIRE  
 PE EARTH WIRE  
 F FUSE  
 E LUMINAIRE WITH FOUR  
 FLUORESCENT TUBES

X1 CONNECTOR  
 X2 CONNECTOR  
 S1 LIGHT SWITCH  
 S2 MOTOR SWITCH  
 M MOTOR

## PARTS LISTING

ITEM#	DESCRIPTION	QUANTITY
1	Upper cabinet	1
2	Round head cross screws (matched washers)	22
3	Suction sand hose	1
4	Left grid	1
5	Right grid	1
6	Sealing tape	1
7	Big funnel	1
8	Bracket	1
9	M8*20	32
10	Leg B	1
11	Permanent seat of pneumatic device	1
12	Pressure gauge/ Pressure regulating valve	Each 1
13	Assembled latches	3
14	Welded cover board for falling sand	1
15	Pneumatic device of foot pedal	1
16	Leg reinforces 1	2
17	Leg reinforces 2	2
18	Legs A	3
19	Dust collector	1
20	M6*32 round head screws	12
21	Bracket of viewing window	1
22	Glass board of viewing window	1
23	Glass of viewing window	1
24	PE film of viewing window	1
25	Sealing tape of viewing window	1
26	Rubber seal strip of front opening doorframe	1
27	Bracket of top light	1
28	Seat of fluorescent lamp/ lamps 4pcs	1
29	Glass of light window	1
30	PE film of light window	1
31	Rubber seal strip of light window	1
32	sand boards	2
33	Main body of upper cabinet	1
34	Main support poles	2
35	Support pole of air springs	2
36	Plastic slot board of wire	1
37	Front door latch	2
38	Latch seats	2
39	Rack board	1
40	grips (similar with PSJ of vacuum model )	2
41	Elements of big hoops	2

42	Mounting ring of gloves	2
43	Glove seats	2
44	Gloves	1 pair
45	Front operation board /sand board	1
46	Elements of front opening door	1
47	Cap of nozzle	1
48	Nozzle	1
49	"O" seal ring	1
50	Gun body	1
51	Sheath of air jet pipe	1
52	Lock nut	1
53	Air jet pipe	1
54	12-G1/4" quick straight-pass connector	1
55	Conversion connector	1
56	Air hose $\phi 12 \times \phi 8$	1
57	Quick fitting G3/8"	1
58	Clamps	2
59	1/2" Sand hose	1
60	Switches	2
61	Power cord of daylight lamp	1
62	wire clips	2
63	Socket	1
64	Cover of E-box	1
65	Self tapping screws	4
66	Fuse seat	1
67	Power cord	1
68	Body of E-box	1