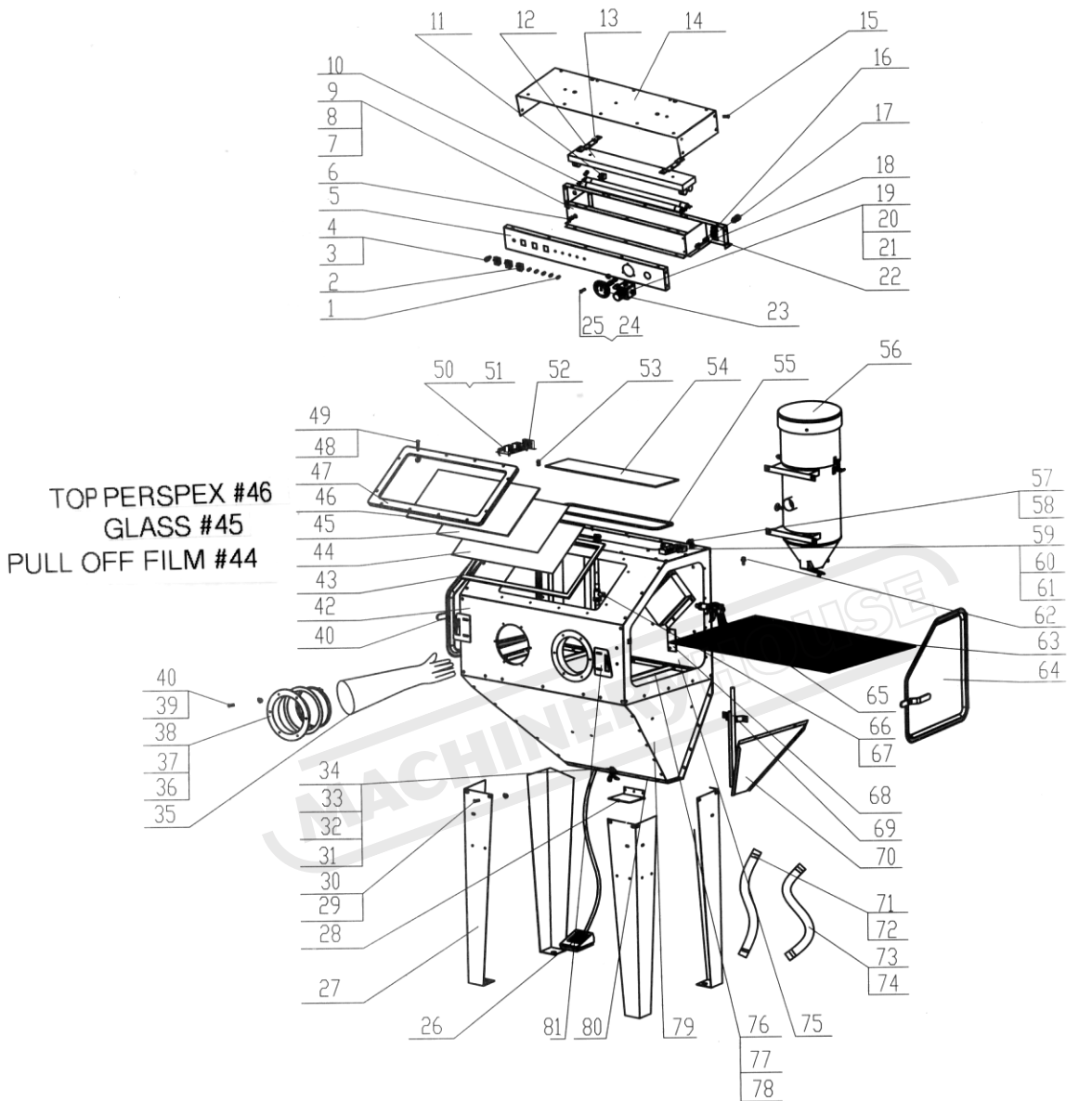


# PARTS LIST



1	lamp cover indicator	22	jet fixing board	42	cabinet	62	1/4" jet
2	switch	23	pressure gauge	43	window washer	63	web
3	fuse case	24	screw	44	<b>PULL OFF FILM</b>	64	right door parts
4	fuse	25	nut	45	<b>GLASS</b>	65	movable gun
5	lamp cover parts	26	pedal switch	46	<b>TOP PERSPEX</b>	66	flexible metal pipe
6		27	leg	47	window frame	67	fixed gun
7		28	cover of funnel	48	screw	68	door locking washer
8		29	screw	49	nut	69	abrasive suction pipe
9	30	nut	50	circuitry board	70	funnel inside board	
10	lamp	31	locking parts	51	screw	71	air hose
11	socket	32	screw	52	transformer	72	clamp
12	lamp self	33	nut	53	line-locked	73	sand hose
13		34	washer	54	lamp cover glass	74	clamp
14	lamp cover board	35	gloves	55	lamp cover seal	75	cabinet
15	screw	36	gloves clamp	56	dust collector	76	web parts
16	jet	37	gloves washer	57	jet	77	
17	quick jet socket	38	gloves socket	58	right-angle jet	78	
18	straight jet	39	screw	59	electromagnetism valve	79	cabinet
19	air regulator	40	nut	60	straight jet	80	funnel soleplate
20	straight jet	41	left door	61	right-angle jet	81	door locking board
21	right-angle jet						