



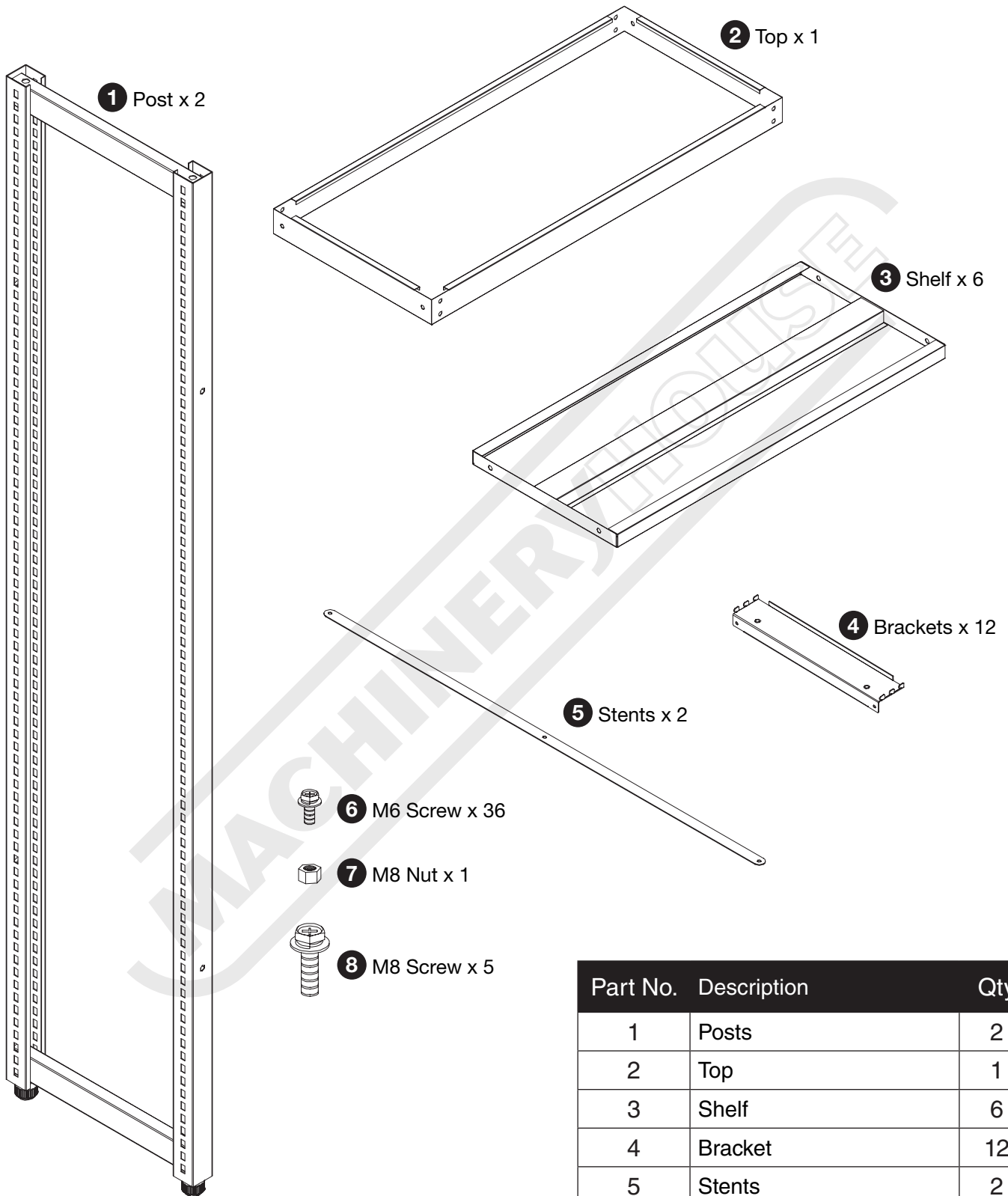
Edition : 1.0
Date: (11/24)

Instruction Manual

MODULAR STORAGE RACK MSR-6

Order Code: (S018)

PARTS LIST



Part No.	Description	Qty
1	Posts	2
2	Top	1
3	Shelf	6
4	Bracket	12
5	Stents	2
6	M6 Screw	36
7	M8 Nut	1
8	M8 Screw	5

BEFORE ASSEMBLING

Please read this instruction manual before assembly.



CAUTION

Before assembly please pay attention to the following points in priority;

Confirmation of components: Before assembling, please confirm all parts arrived and are in good order.

Site for assembly: Please assemble it on the soft floor such as smooth carpet and flannel blanket. When you assemble on wooden floor, please put thin towels on the floor.

Points for attention when assembling: Please wear gloves to ensure that it can be assembled safely, and use two persons to help in the assembly process.

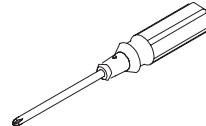
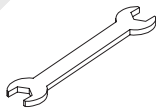
Matters needing attention for operation:

- Do not use for in proper use.
- Do not use it on inclined surface or uneven places.
- Do not use it when screw and nuts are loosened.



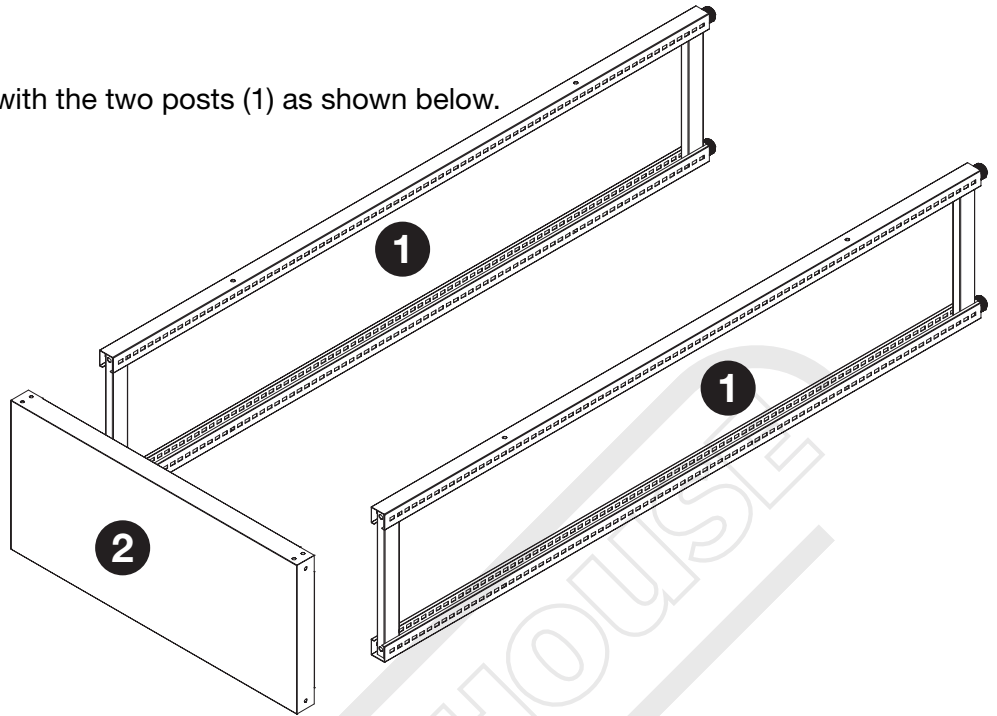
TOOLS REQUIRED FOR ASSEMBLY

- M6 & M8 spanners
- Phillips Head Screwdriver

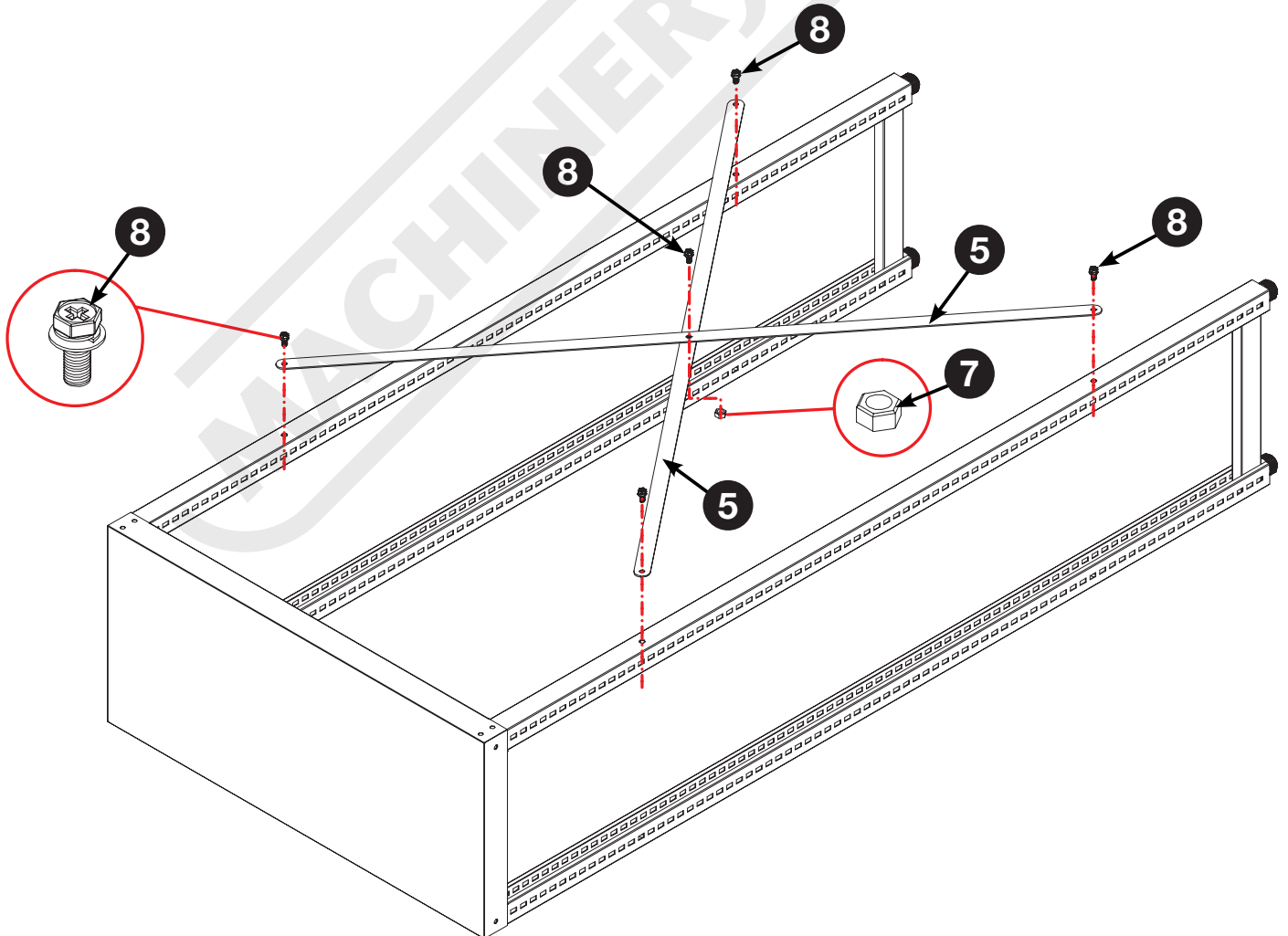


ASSEMBLY

STEP 1: Position the top (2) with the two posts (1) as shown below.

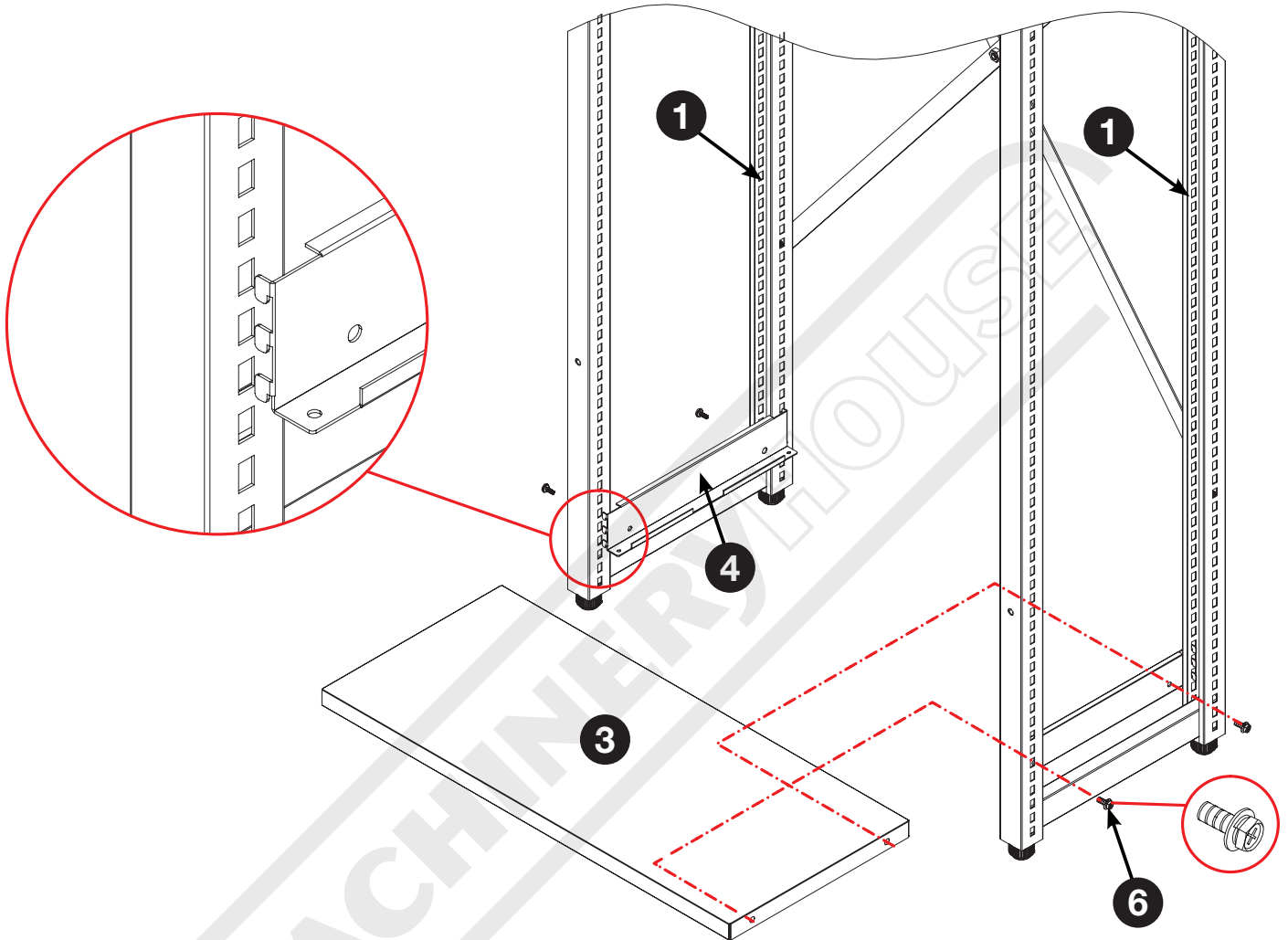


STEP 2: Attach the 2 x stents (5) to the 2 x posts (1) using 5 x M8 screws (8) and 1 x M8 nut (7) for the centre join as shown below.

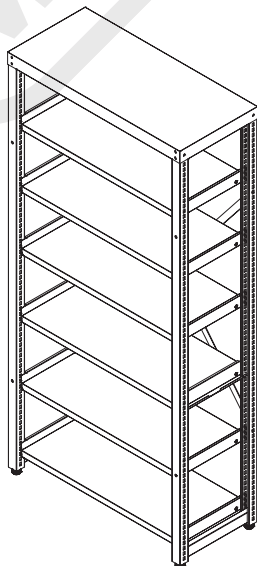


ASSEMBLY Cont...

STEP 2: Hang the bracket (4) in the post (1) at your preferred height to both sides of the posts, then put the shelf (3) on the brackets. Fix by using 4 x M6 screws (6) as shown below.



STEP 3: Repeat STEP 2 for all shelves as shown below.





ENVIRONMENT PROTECTION

Recycle unwanted materials instead of disposing of them as waste. All tools, accessories and packaging should be sorted, taken to a recycling centre and disposed of in a manner which is compatible with the environment. When the product becomes completely unserviceable and requires disposal, drain any fluids (if applicable) into approved containers and dispose of the product and fluids according to local regulations.

Imported by

HARE & FORBES
MACHINERYHOUSE

Australian Distributor

Hare & Forbes
Machineryhouse
Sydney - Melbourne
Adelaide - Brisbane - Perth

Ph: 1300 202 200
www.machineryhouse.com.au

MACHINERYHOUSE

New Zealand Distributor

Machineryhouse
Auckland
Christchurch

Ph: 0800 142 326
www.machineryhouse.co.nz