



**SUNRISE Fluid Power Inc.**

No. 7, Road 12, Industrial Zone, Taichung City 407, Taiwan

Tel: 886-4-2359-1190

Fax: 886-4-2359-3409

sales@sunriseiw.com.tw

www.sunriseiw.com.tw

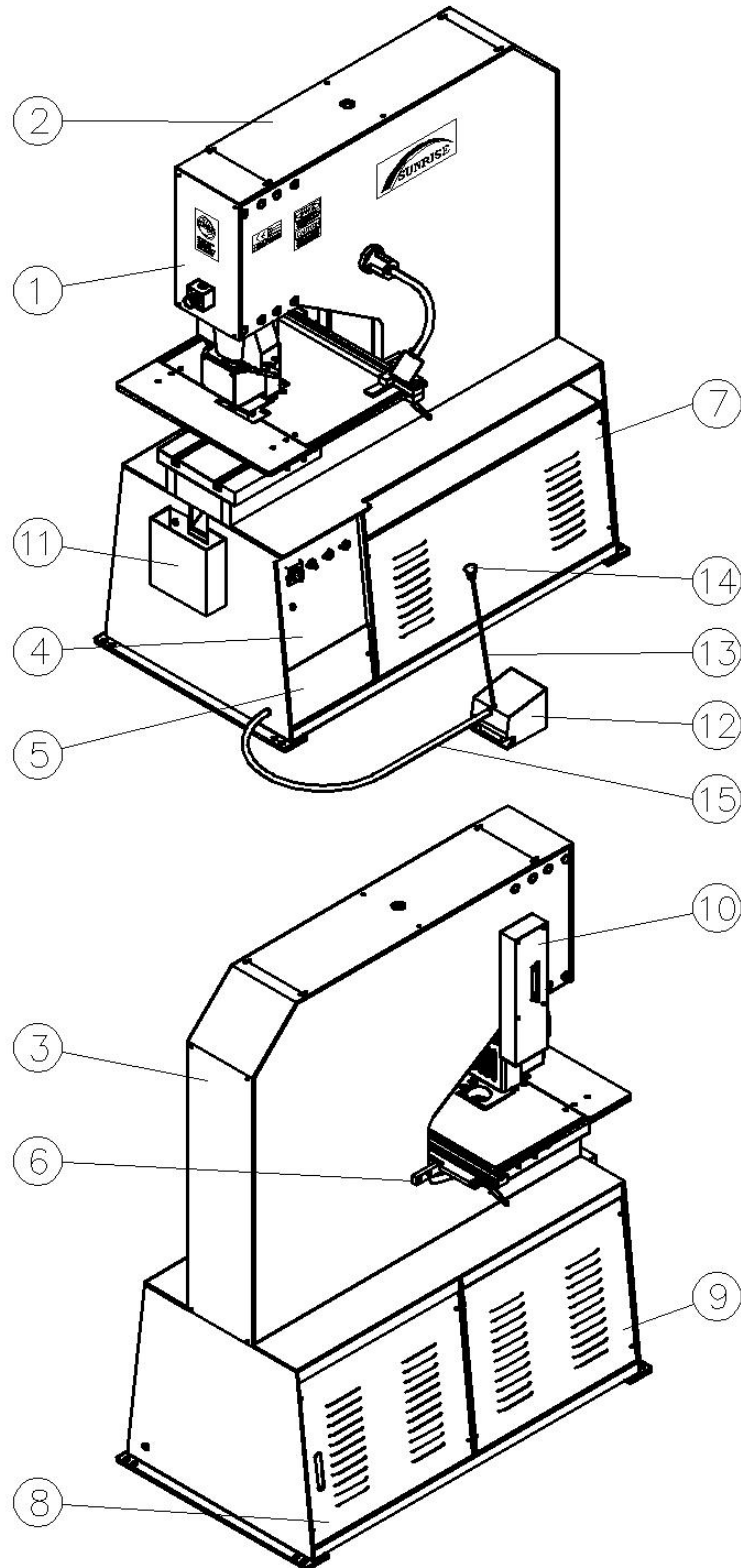
---

# **SUNRISE HYDRAULIC PUNCHING MACHINE**

## **PM-120LT/XT**

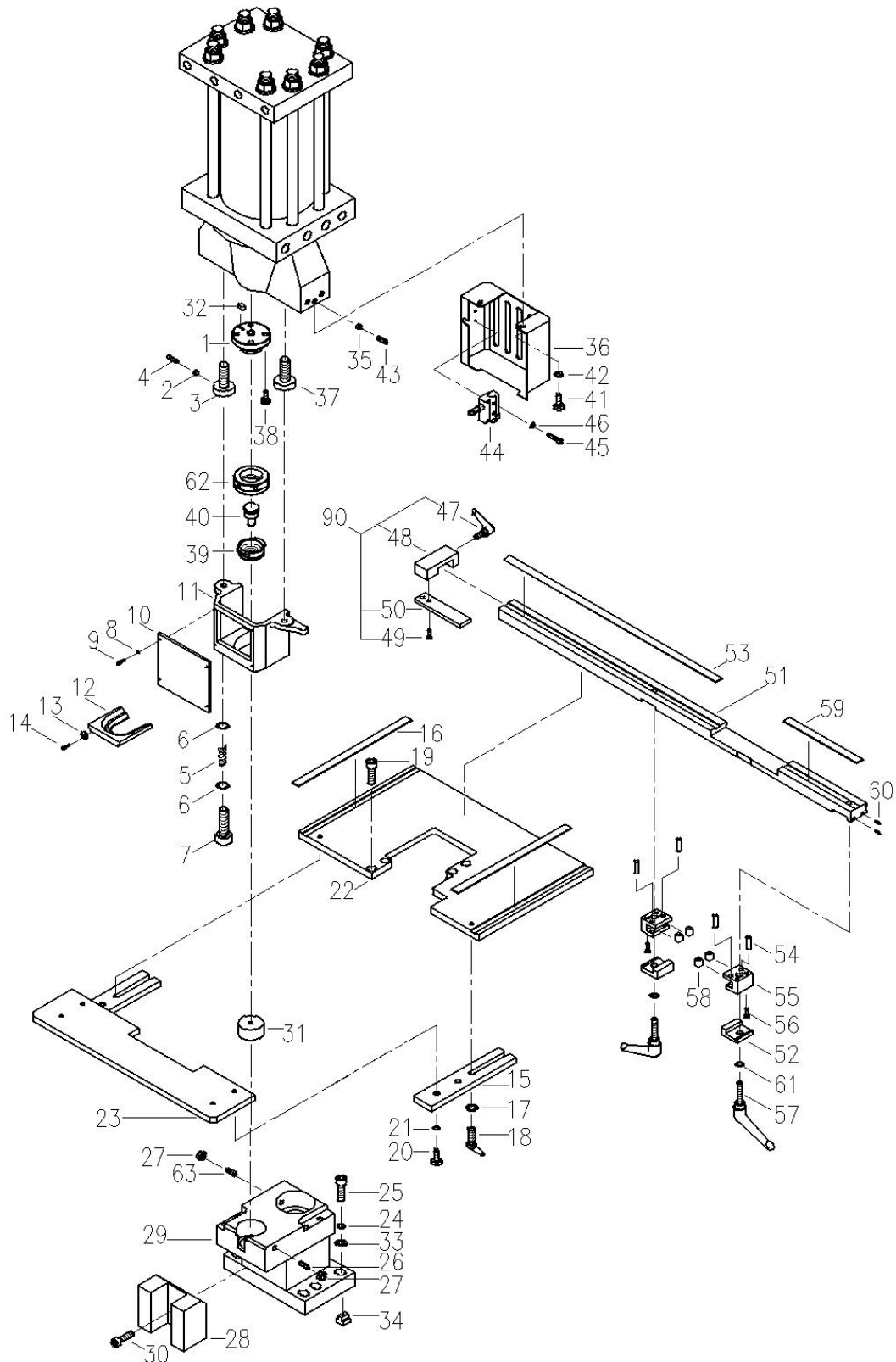
### **SPARE PARTS LIST**

## PM-120LT/XT





## Punching Station Assembly for PM Models





**SUNRISE Fluid Power Inc.**

No. 7, Road 12, Industrial Zone, Taichung City 407, Taiwan

Tel: 886-4-2359-1190

Fax: 886-4-2359-3409

sales@sunriseiw.com.tw

www.sunriseiw.com.tw

## Sunrise Punching Machine Parts List

Model: PM-120/160LT/XT

Part: Punching Station

Date: 02/2012

Item	Part Number	Description	產品名稱	Q'ty	Memo
1	42RTBQA	Retaining Thread	螺紋塊	1	
2	211305090	212211009	Copper Piece	銅墊	1
3		211305005B	Stripper Adj. Screw (2)	剝料器調整螺桿(二)	1
4		56301C0006010	Set Screw M6X10	止付內六角螺栓	1
5		211305006	Stripper Spring	沖孔剝料器彈簧	1
6		56303D00012024045	Flat Washer M12	平墊圈	2
7		56301A0012090	Hex Bolt M12X90	六角承窩頭螺栓	1
8		42STBD	56303A00005	Spring Washer M5	彈簧墊圈
9	56301A0005012		Hex Bolt M5X12	六角承窩頭螺栓	4
10	42STBC002		Stripper Clear Cover	剝料器安全護板	1
11	42STBC006A		Stripper	沖孔剝料器	1
12	42STBC003A-20 42STBC003A-42 42STBC003A-52		Stripper Exchangeable Plate	剝料器底板	1
13	42STBC004		Washer	墊片	2
14	56301I0005008		Cap Screw M5X8	半圓內六孔	2
15	212205005C		Tableing Connecting Plate	工作板組合塊	2
16	LT: 214105110 XT: 214205110	LT: 213105002A XT: 214205005A	Punching Table Ruler 506mm Punching Table Ruler 756mm	沖孔工作板Y軸標尺	2
17		56303B11012025	Flat Washer M10	平墊圈	2
18		56315404192M1032	Clamp Handle M10X32	萬向把手	2
19		56301A0010020	Hex Bolt M10X20	六角承窩頭螺栓	4
20		56301A0010030	Hex Bolt M10X30	六角承窩頭螺栓	4
21		56303A00010	Spring Washer M10	彈簧墊圈	4
22		LT: 214105001F XT: 214205001E	Punching Table A (Main)	沖孔工作板(A)	1
23		214005002C	Punching Table B (Front)	沖孔工作板(B)	1
24		56303A00016	Spring Washer M16	彈簧墊圈	6
25	56301A0016060	Hex Bolt M16X60	六角承窩頭螺栓	6	
26	56301C7010060	Set Screw M10X60	止付內六角螺栓	1	
27	56302B0110	Nut M10	螺帽	2	
28	43B3DMWC	43B1D005A	Die Holder Support	下模座支持塊	1
29		43B3DMW900D	Overhang Die Holder (Ø45/Ø80)	雙孔沖孔座	1
30		56301A0012020	Hex Bolt M12X20	六角承窩頭螺栓	1



**SUNRISE Fluid Power Inc.**

No. 7, Road 12, Industrial Zone, Taichung City 407, Taiwan

Tel: 886-4-2359-1190

Fax: 886-4-2359-3409

sales@sunriseiw.com.tw

www.sunriseiw.com.tw

Model: PM-120/160LT/XT

Part: Punching Station

Date: 02/2012

Item	Part Number	Description	產品名稱	Q'ty	Memo
31	41RD1	Die	圓孔下模	1	
32	56305D00606018	Locating Key	雙頭圓鍵	1	
33	56303D00016032045	Flat Washer M16	平墊圈	6	
34	211305011	T-Shaped Nut M16	T形螺帽	6	
35	213205010	Copper Piece	銅墊	2	
36	213202034	Stripper Rear Guard	剝料器護板	1	
37	211305004B	Stripper Adj. Screw (1)	剝料器調整螺桿(一)	1	
38	56301A0012025	Hex Bolt M12X25	六角承窩頭螺栓	4	
39	42RSBQ30A 42RSBQM40B 42RSBQM50B	Quick Change Sleeve	快拆上模套環	1	
40	41RP1	Punch	圓孔上模	1	
41	56301A0006010	Hex Bolt M6X10	六角承窩頭螺栓	2	
42	56303A00006	Spring Washer M6	彈簧墊圈	2	
43	56301C0010020	Set Screw M10X20	止付內六角螺栓	2	
44	52411TZ7312	Limit Switch	微動開關	1	
45	56301A0004025	Hex Bolt M4X25	六角承窩頭螺栓	2	
46	56303B10005010	Flat Washer M4	平墊圈	2	
47	56315404163M1020	Clamp Handle M10X20	萬向把手	1	
48	213205004	Stopper Piece	X軸定位板	1	
49	56301F0006016	Sunk Head Hex Bolt M6X16	皿頭六角承窩螺栓	2	
50	212205007S1	Stopper Piece	沖孔定位塊	1	
51	214005014A	Punching Stopper Guide	Y軸定位板	1	
52	213205020	Stopper Guide Base	定位板固定滑塊	2	
53	213005015	Punching Stopper Guide Ruler 512.5mm	Y軸定位尺標尺(左)	1	
54	214005141 56306R0080030	Pin Ø8X30	直銷 Ø8X30	4	
55	213205019	Stopper Y-axis Guide	Y軸定位滑座	2	
56	56301A4006030	Hex Bolt M6X30	六角承窩頭螺栓	4	
57	56315404192M1050	Clamp Handle M10X50	萬向把手	2	
58	56309DTA815	Needle Bearing TA815	滾針軸承 TA815	4	
59	213005006A	Punching Stopper Guide Ruler 297.5mm	Y軸定位尺標尺(右)	1	
60	56301C0005008	Set Screw M5X8	止付內六角螺栓	2	
61	56303B11012025	Flat Washer M10	平墊圈	2	





## Limit Switch Adjustment for PM Models

