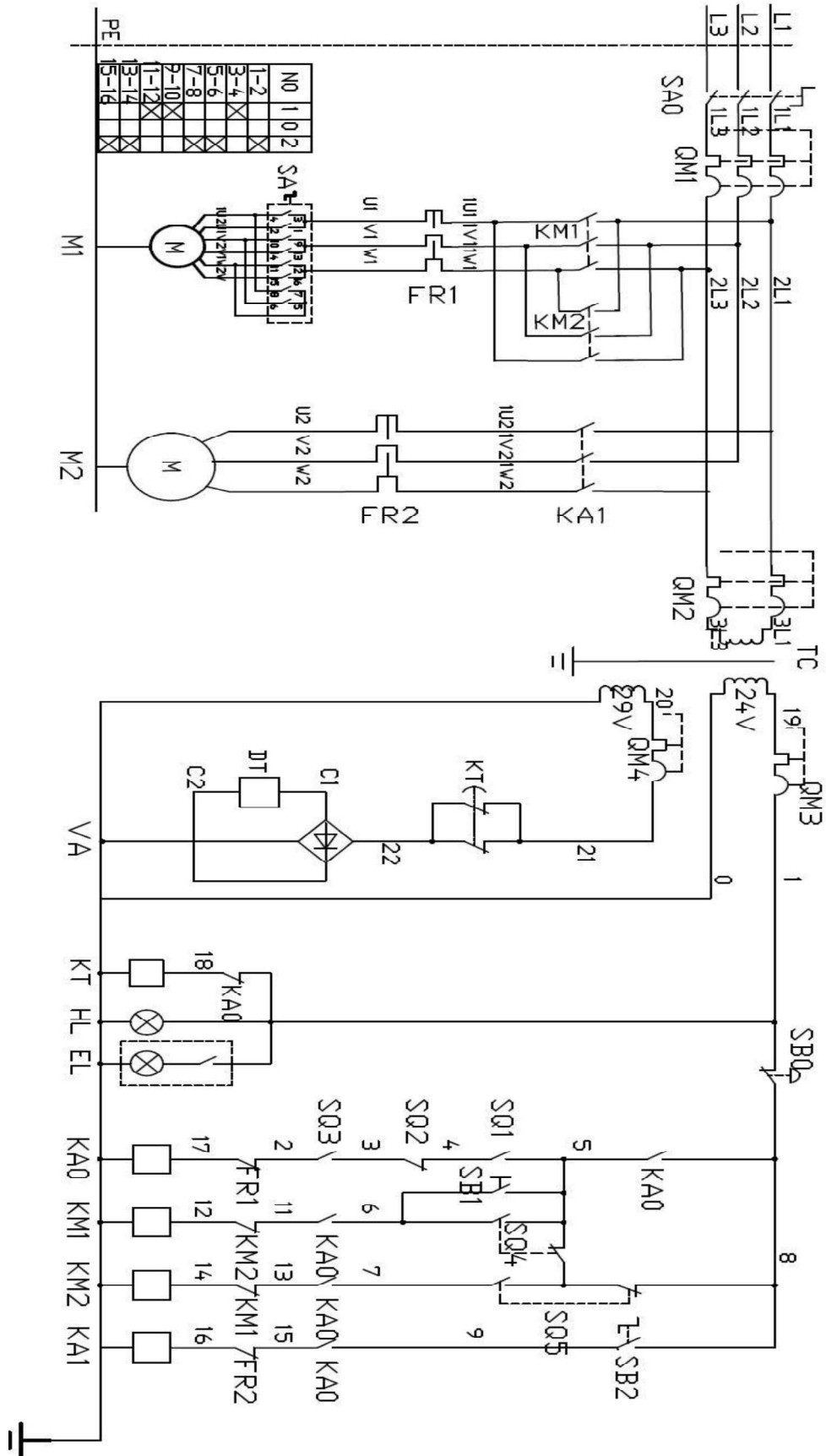


15. Electric Circuit Control

15.1 Wiring Diagram



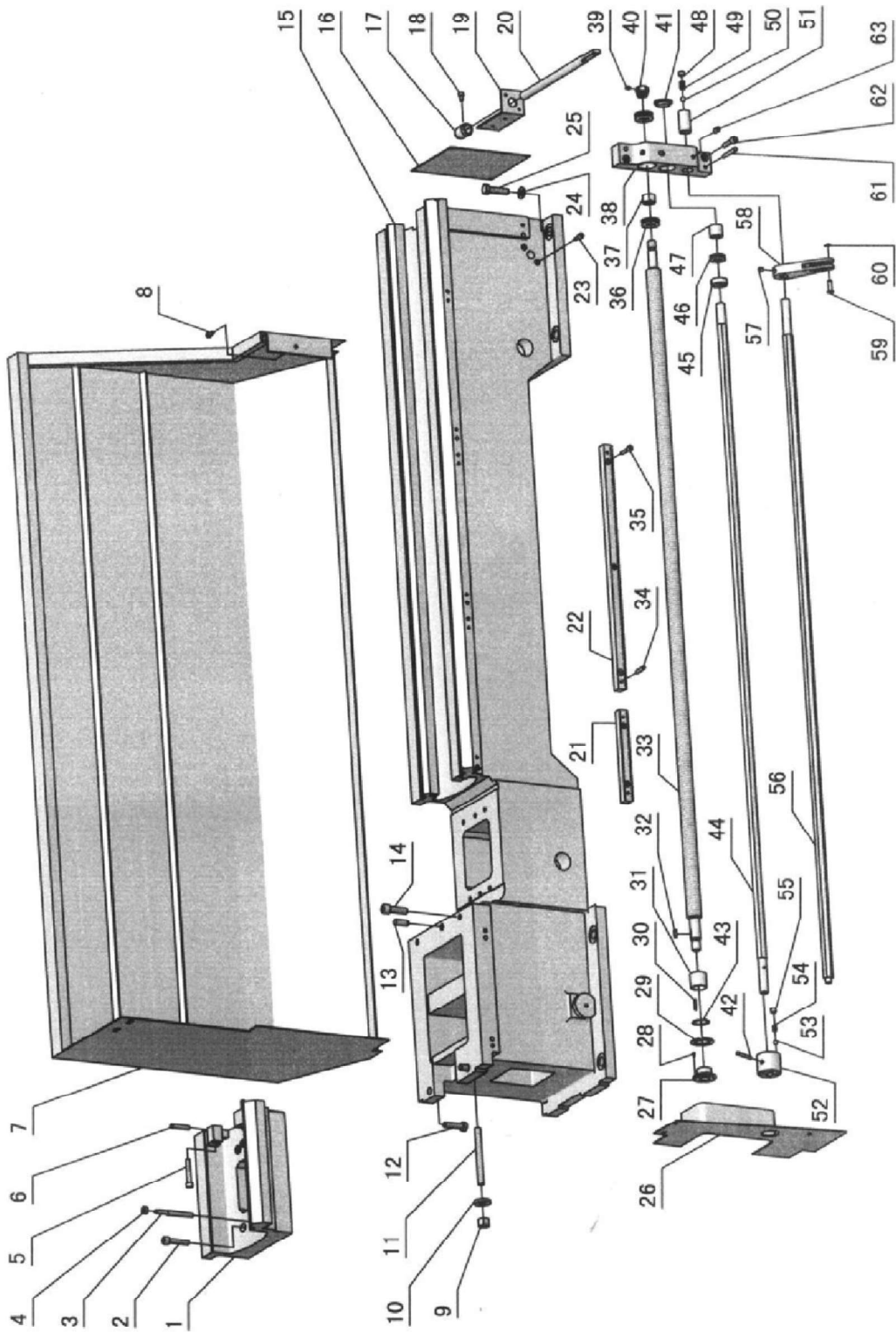
15.2 Electric Board Diagram

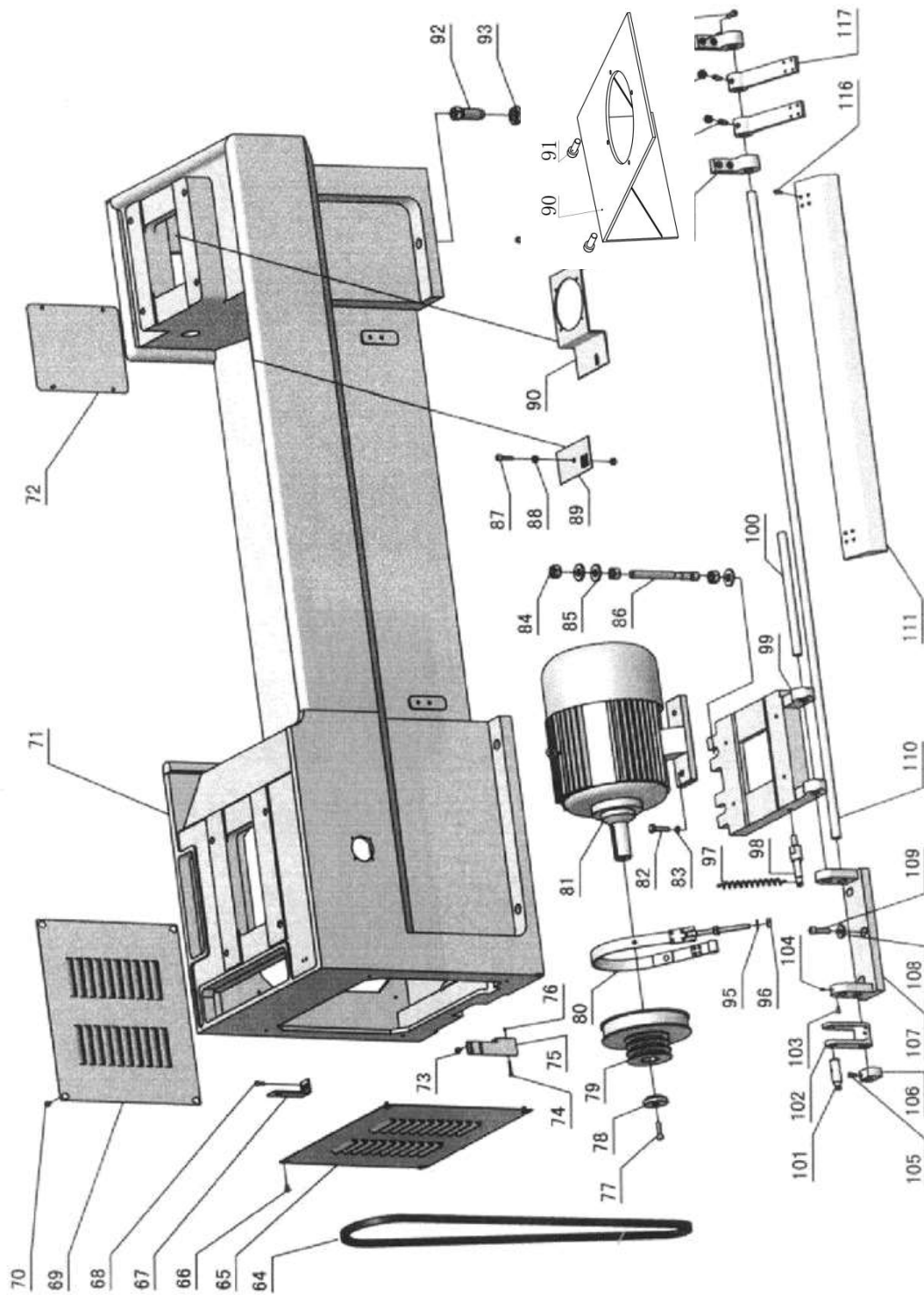


15.3 Electric Listing Component

No.	Type	Name	Specification	Qty
1	SA	High/Low/Stop Switch	LW8PS-25/M10T	1
2	SA0	Main Switch	LW8GS-25/30000-A	1
3	QM1	Breaker	GV2 2.5-4A	1
4	QM2	Breaker	DZ451-63 2P C1	1
5	QM3	Breaker	DZ451-63 1P C5	1
6	QM4	Breaker	DZ451-63 1P C2	1
7	FR1	Thermal overload relay	3UA5940 6.3-10A	1
8	FR2	Thermal overload relay	3UA5940 0.4-0.63A	1
9	KM1,2	AC Contactor	3TB4122 AC24V 50/60Hz	2
10	KA0	Relay	3TH8262 AC24V 50/60Hz	1
11	KA1	Relay	3TH8262 AC24V 50/60Hz	1
12	TC	Control Transformer	JBK5-160	1
13	KT	Time Relay	ST3PA AC24V	1
14	VA	Rectifier	3TQL 250V 12A	1
15	HL	Pilot Lamp	LA103-M/32 AC24V	1
16	EL	Working Lamp	JC34A AC24V	1
17	SQ4,5	Switch For FWD-REV	LXW5-11G2	2
18	SQ1	Switch For Brake	LXW5-11N1	1
19	SQ2	Switch For Chuck	LXW5-11Q1	1
20	SQ3	Switch For Position	QKS8-6080103201	1
21	SB0	Emergency Button	LA103-01ZS/1	1
22	SB1	Button	LA103-10/3	1
23	SB2	Button	LA103-10X/3	1
24	M1	Main Motor	YD132M2-8/4	1
25	M2	Coolant Pump	AB25	1

16 Bed assembly



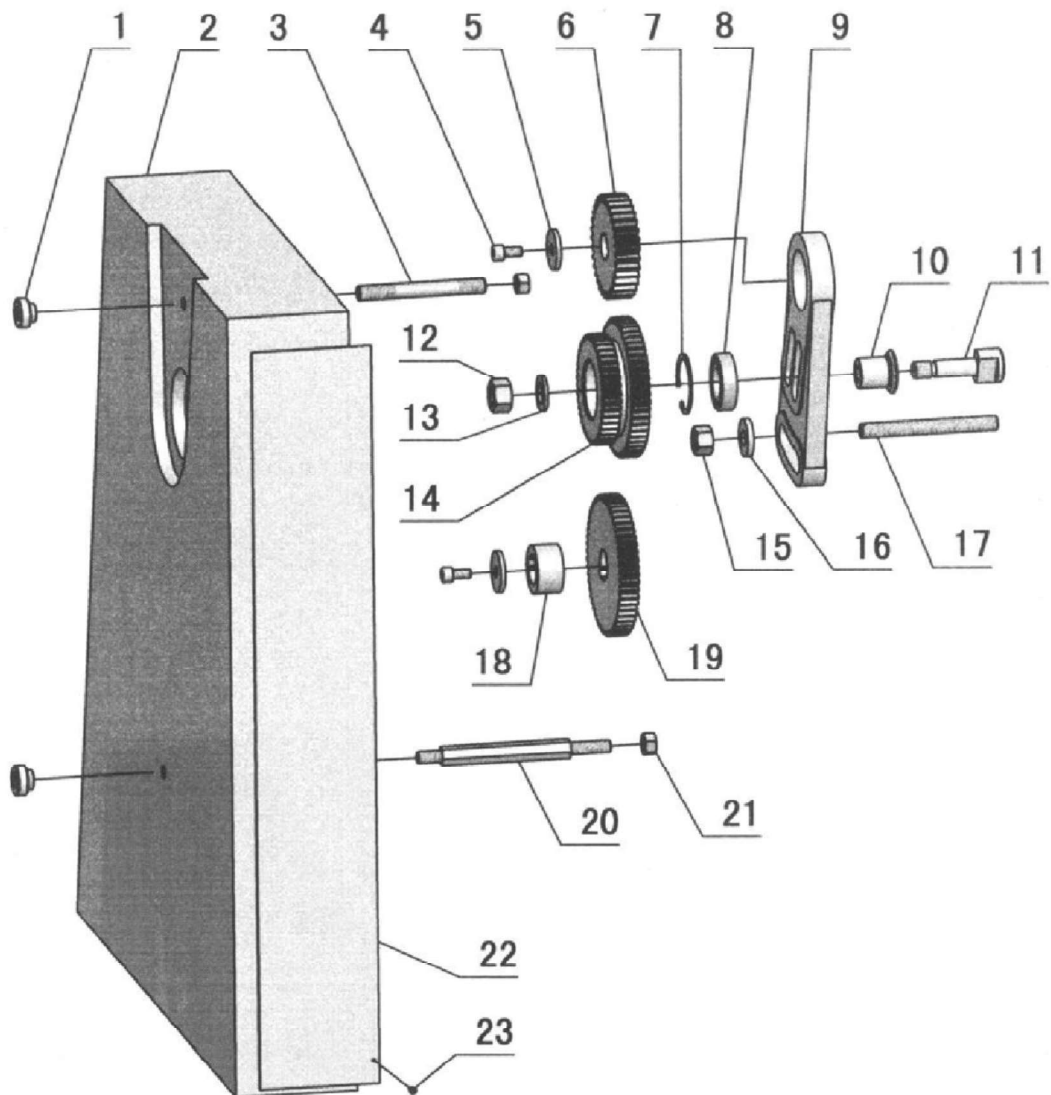


No.	Part No.	Name	Specification
1	CD6241.01-002	Gap Block	
2	GB70-85	Socket Head Cap Screw	M10×45
3	GB881-86	Taper Pin	8×85
4	GB6170-86	Nut	M8
5	GB70-85	Socket Head Cap Screw	M8×50
6	GB118-86	Pin	8×40
7	CD6241.01-038	Guard Assay	
8	GB70-85	Socket Head Cap Screw	M6×12
9	GB41-76	Nut	M14
10	CD6241.02-059	Washer	45
11	CD6241.02-062	Screw	
12	GB21-76	Bolt	M12×40
13	GB119-86	Pin	12×30
14	GB70-85	Socket Head Cap Screw	M12×40
15	CD6241.01-001	Bed	
16	CD6241.01-036	Cover	
17	CD6241.01-023	Block	
18	GB70-85	Socket Head Cap Screw	M6×10
19	CD6241.01-024	Hold	
20	CD6241.01-021	Rod	
21	CD6241.01-037	Rack	
22	CD6241.01-035	Rock	
23	GB70-85	Socket Head Cap Screw	M6×20
24	GB97.1-86	Washer	12
25	GB5783-86	Bolt	M12×45
26	CD6241.03-094	Cover	
27	CD6241.01-005	Sleeve	
28	GB70-85	Socket Head Cap Screw	M5×8
29	CD6241.01-006	Washer	
30	GB2089-80	Spring	1.8×2.5×55
31	CD6241.01-009	Cover	
32	GB1567-86	Key	5×16
33	CD6241.01-004	Lead Screw	
34	GB879-86	Spring Pin	6×30
35	GB70-85	Socket Head Cap Screw	M6×30
36	GB301	Thrust Bearing	51203
37	CD6241.01-010	Sleeve	
38	CD6241.01-003	Bracket	
39	GB78-85	Set Screw	M6×8

No.	Part No.	Name	Specification
40	CD6241.01-011	Nut	
41	CD6241.01-016	Plug	
42	GB117-86	Taper Pin	5×45
43	GB894.2-86	External circlip	28
44	CD6241.01-012	Feed Rod	
45	GB301-84	Thrust Bearing	51103
46	CD6241.01-014	Sleeve	
47	GB301-84	Thrust Bearing	51103
48	GB77-85	Set Screw	M12×8
49	GB2089-80	Spring	1×9×20
50	GB308-84	Steel Ball	9.5
51	CD6241.01-018	Sleeve	
52	CD6241.01-013	Clutch	
53	GB308-84	Steal Ball	8
54	GB2089-80	Spring	1.2×6×46
55	GB77-85	Screw	M10×10
56	CD6241.01-017	Started Rod	
57	GB77-85	Screw	M8×8
58	CD6241.01-020	Lever	
59	CD6241.01-022	Pin	
60	GB896-86	Circlip	6
61	GB117-86	Taper Pin	6×50
62	GB70-85	Socket Head Cap Screw	M8×35
63	GB80-85	Screw	M8×14
64	GB1171	A1854Li	
65	CD6241.01-123A	Cover	
66	GB818-85	Cross Screw	M6×10
67	CD6241.01-024	Limited Switch Seat	
68	GB70-85	Socket Head Cap Screw	M6×16
69	CD6241.01-122A	Cover	
70	GB818-85	Cross Screw	M6×10
71	CD6241.01-101	Stand	
72	CD6241.01-121	Cover	
73	GB818-85	Cross Screw	M6×10
74	GB818-85	Screw	M4×30
75	CD6241.01-120	Limited Switch Seat	
76	GB6172-86	Nut	M4
77	GB70-85	Socket Head Cap Screw	M8×30
78	CD6241.01-106	Washer	
79	CD6241.01-102	Belt Pulley	

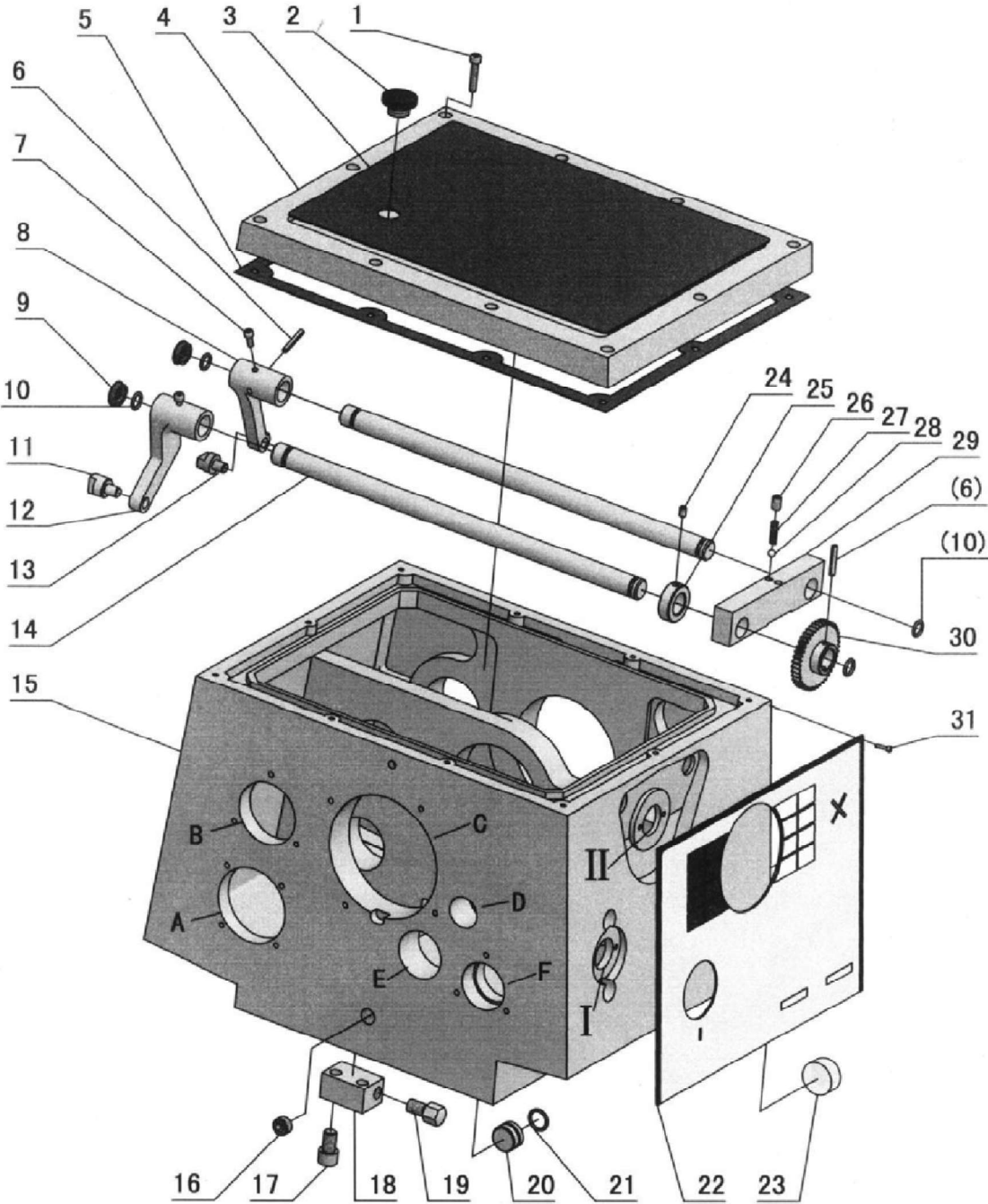
No.	Part No.	Name	Specification
80	CD6241.01-116	Belt Brake	
81	Y132M-8/4	Motor	
82	GB30-76	Bolt	M10×40
83	GB93-86	Washer	10
84	GB41-76	Nut	M16
85	GB/T96.1.2	Washer	
86	CD6241.01-108	Screw	
87	GB70-85	Socket Head Cap Screw	M8×30
88	GB6170-86	Nut	M8
89	CD6241.01-119	Screen	
90	CD6241.01-118A	Coolant Pump Seat	
91	GB96-85	Washer	8
92	C6241-1014	Bolt	
93	GB6173-86	Nut	M24×2
94	C6241-1015	Block-Leveling	
95	GB97.1-85	Washer	10
96	GB6170-86	Nut	M10
97	CD6241.01-112	Spring	3×16×115
98	CD6241.01-110	Shaft	
99	CD6241.01-103	Motor Seat	
100	CD6241.01-111	Shaft	
101	CD6241.01-109	Shaft	
102	CD6241.01-105	Arm Brake	
103	GB70-85	Socket Head Cap Screw	M5×8
104	GB80-85	Screw	M6×8
105	GB70-85	Socket Head Cap Screw	M6×12
106	CD6241.01-107	Cam	
107	CD6241.01-104	Bracket Motor Seat	
108	GB/T97.1-2002	Washer	
109	GB70-85	Screw	M10×40
110	CD6241.01-113	Shaft	
111	CD6241.01-117	Pedal Brake	
112	CD6241.01-114	Bracket	
113	GB79-85	Screw	M10×25
114	GB6170-86	Nut	M10
115	GB70-85	Screw	M8×20
116	GB70-85	Screw	M6×16
117	CD6241.01-115	Arm	

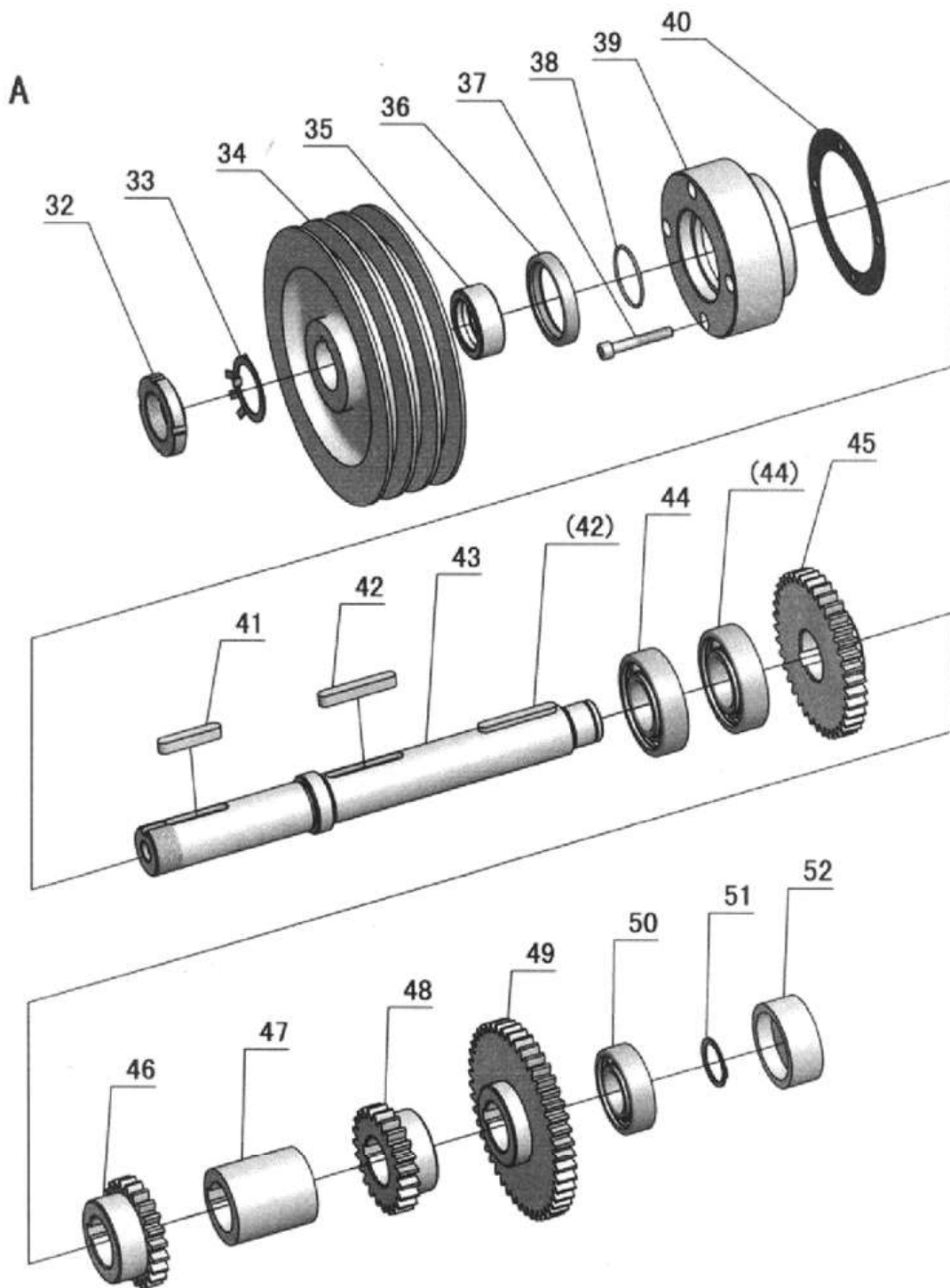
17. Change gear



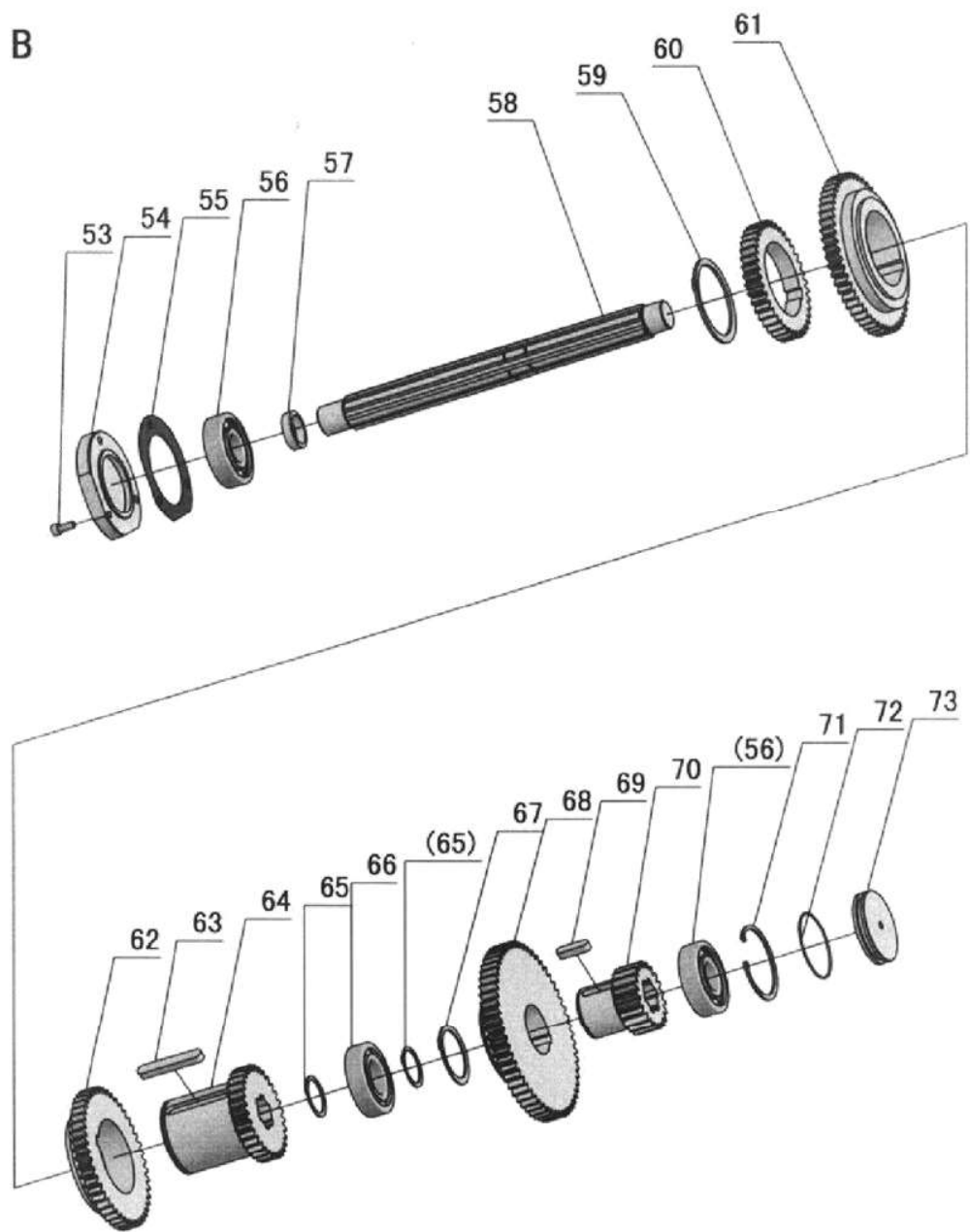
No.	Part No.	Name	Specification
1	CL6132-04-77	Nut	
2	CD6241.02-104	Cover	
3	GB900-88	Bolt	M10×125
4	GB70-85	Socket Head Cap Screw	M8×16
5	CD6241.02-068	Washer	
6	CD6241.02-066	Change Gear	
7	GB893.1-86	Circlip	47
8	GB279-88	Roller Bearing	6005
9	CD6241.02-060	Swing France	
10	CD6241.02-063	Sleeve	
11	CD6241.02-062	Shaft	
12	GB6172-86	Nut	M14
13	GB97.1-84	Washer	14
14	CD6241.02-065	Change Gear	Metric(35/48T)
14	CD6241.02-065	Change Gear	Inch(44/56T)
15	GB41-76	Nut	M12
16	CD6241.02-059	Washer	
17	CD6241.02-061	Screw	
18	CD6241.03-007r	Sleeve	
19	CD6241.03-008	Change Gear	
20	GB900-88	Bolt	M10×165
21	GB54-76	Nut	M10
22	CD6241.02-106	Plate	
23	GB818-85	Screw	M3×8

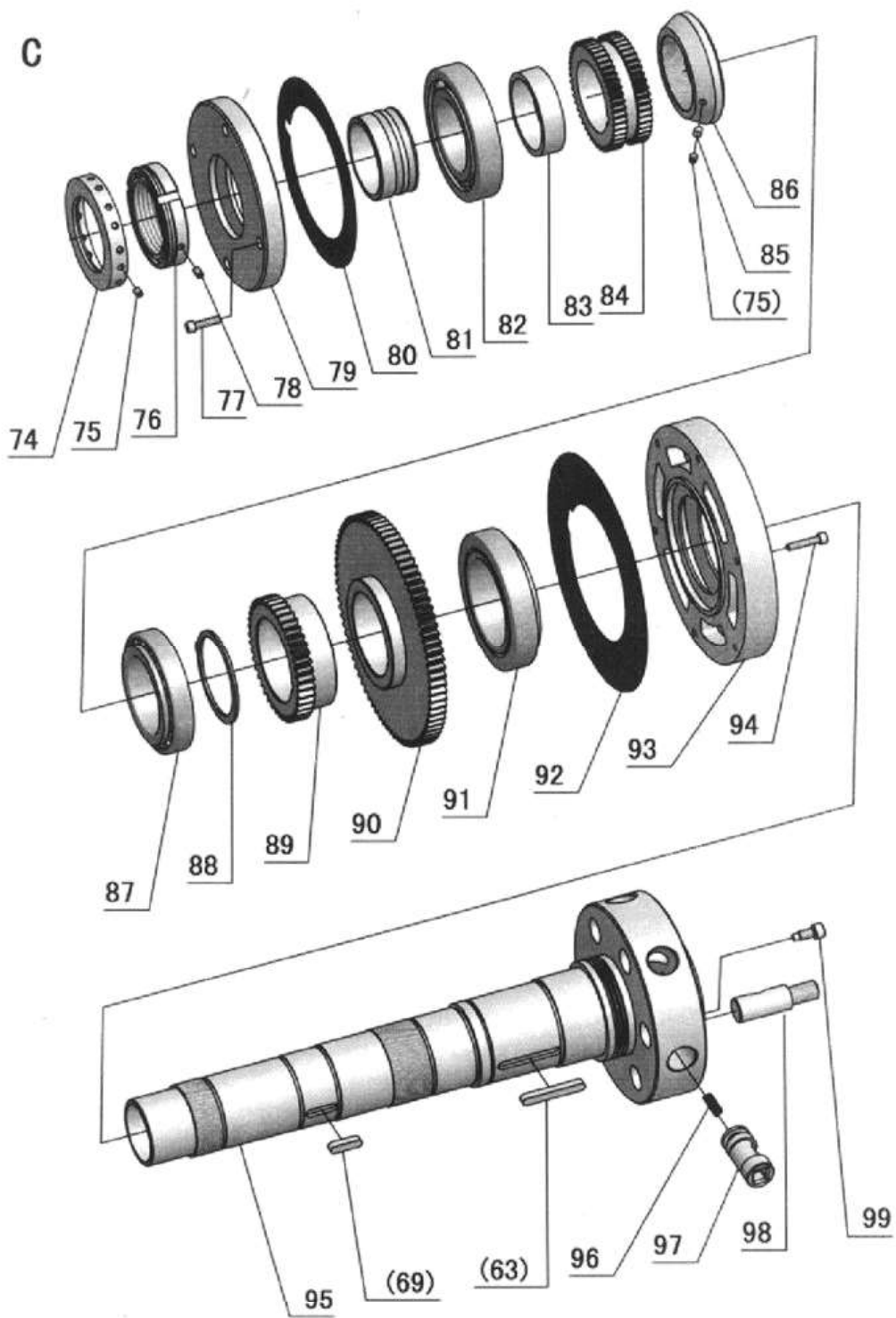
18. Headstock Assembly

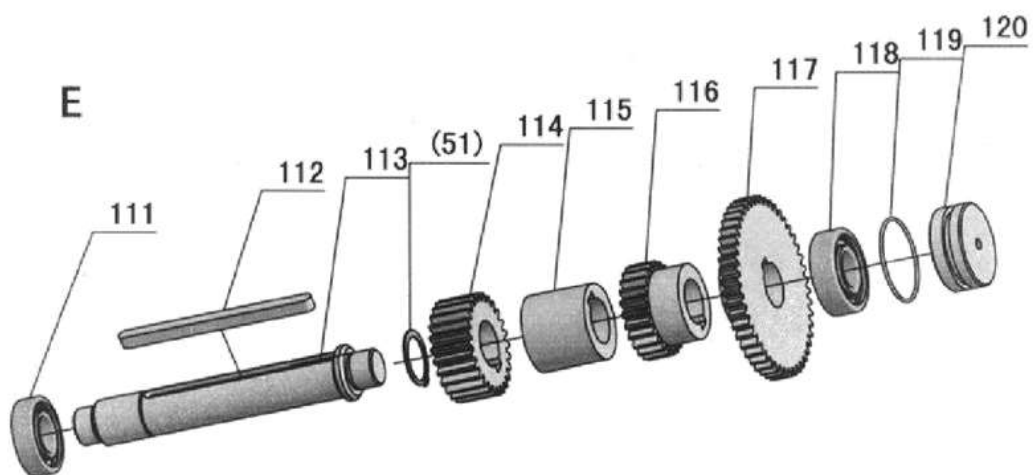
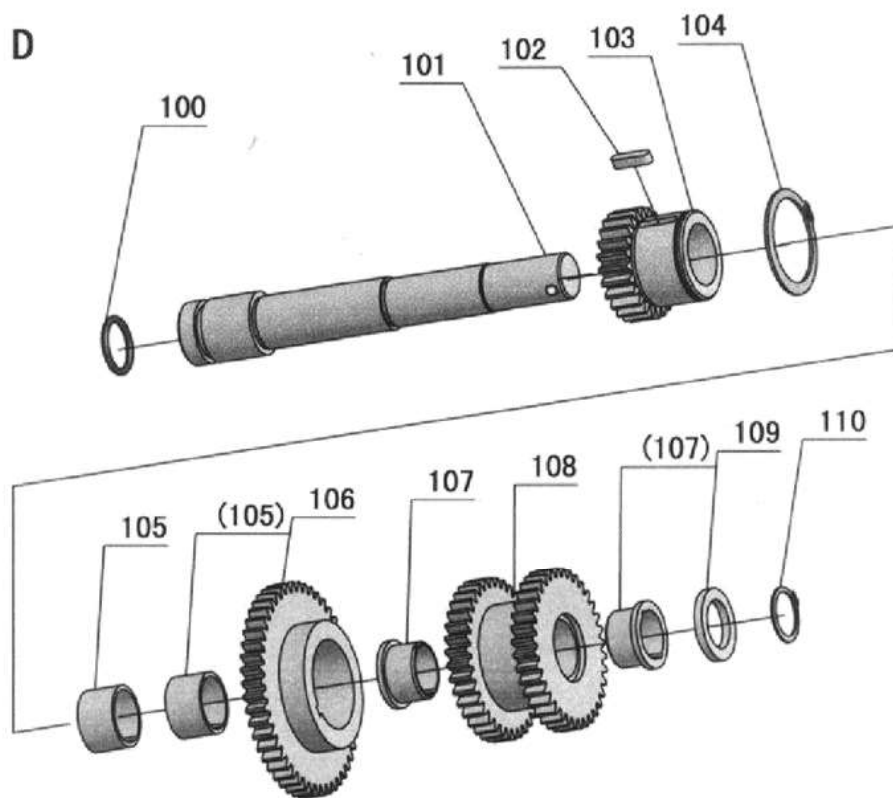




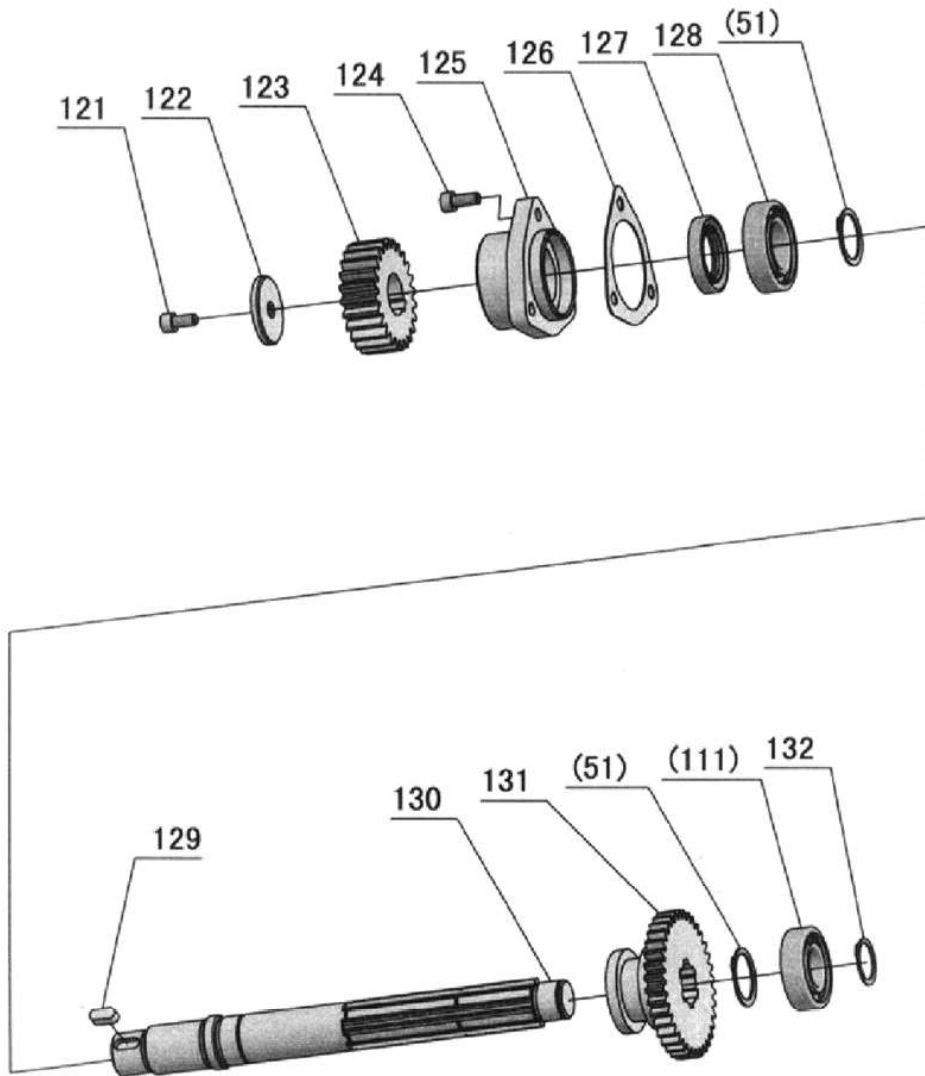
B



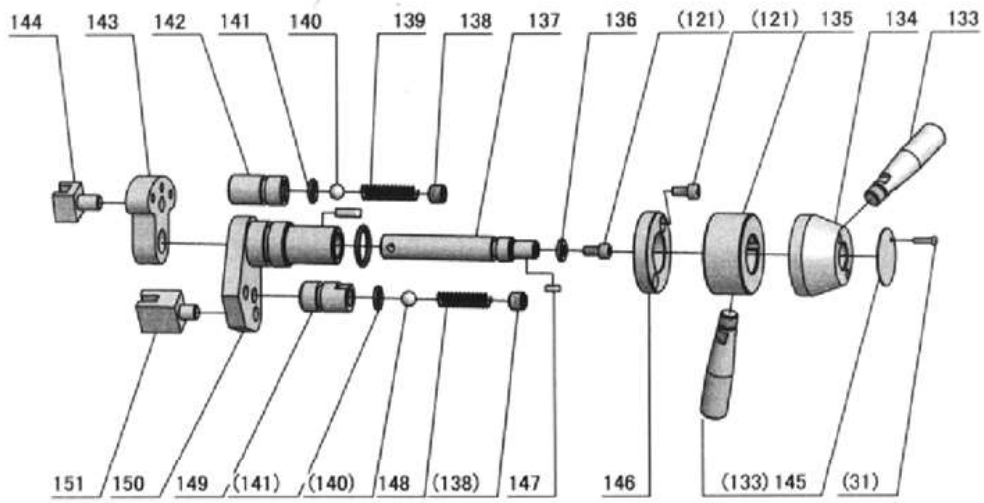




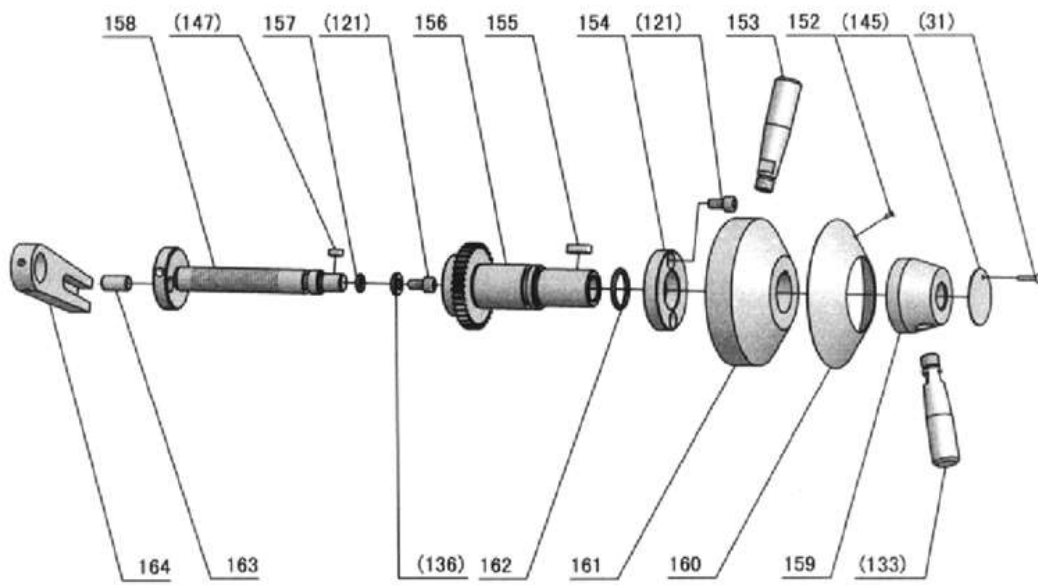
F



I



II



No.	Part No.	Name	Specification
1	GB70-85	Socket Head Cap Screw	M6×30
2	CD6241.02-079	Plug-Oil Inlet	
3	CD6241.02-076	Cover Dress	
4	CD6241.02-094	Headstock Cover	
5	CD6241.02-083	Packing	
6	GB879-85	Spring Pin	5×30
7	GB70-85	Socket Head Cap Screw	M5×16
8	CD6241.02-093	Bracket	
9	CD6241.02-074	Plug	
10	GB3452.1-82	O-Ring	15×2.65
11	CD6241.02-077	Fork	
12	CD6241.02-078	Lever	
13	CD6241.02-092	Fork	
14	CD6241.02-075	Shaft	
15	CD6241.02-001	Headstock	
16	Q/ZB285.3	Oil Plug	ZG 3/8"
17	GB70-85	Screw	M12×20
18	CD6241.02-003	Limited Bracket	
19	CD6241.02-002	Adjust Screw	
20	CD6241.02-039	Plug	
21	GB3452.1-82	O-Ring	19×2.65
22	CD6241.02-084	Plate	
23	GB1160	Oil Sight	M27×1.5
24	GB80-85	Fix Screw	M6×10
25	CD6241.02-080	Sleeve	
26	GB77-85	Screw	M8×12
27	GB2089-80	Spring	1×5×22
28	GB308-84	Steel Ball	6.5
29	CD6241.02-081	Bracket	
30	CD6241.02-082	Gear	Mn=2.5 Z=43
31	GB818-85	Cross Recessed Head Screw	M3×15
32	GB812-88	Nut	M30×1.5
33	GB858-88	Toothed Lock Washer	30
34	CD6241.02-022	Belt Pulley	
35	CD6241.02-023	Spacer	
36	GB13871	Oil Seal	FB42×55
37	GB70-85	Socket Head Cap Screw	M6×40
38	GB1235-76	O-Ring	36×3.5
39	CD6241.02-024	Bearing Cover	
40	CD6241.02-025	Packing	

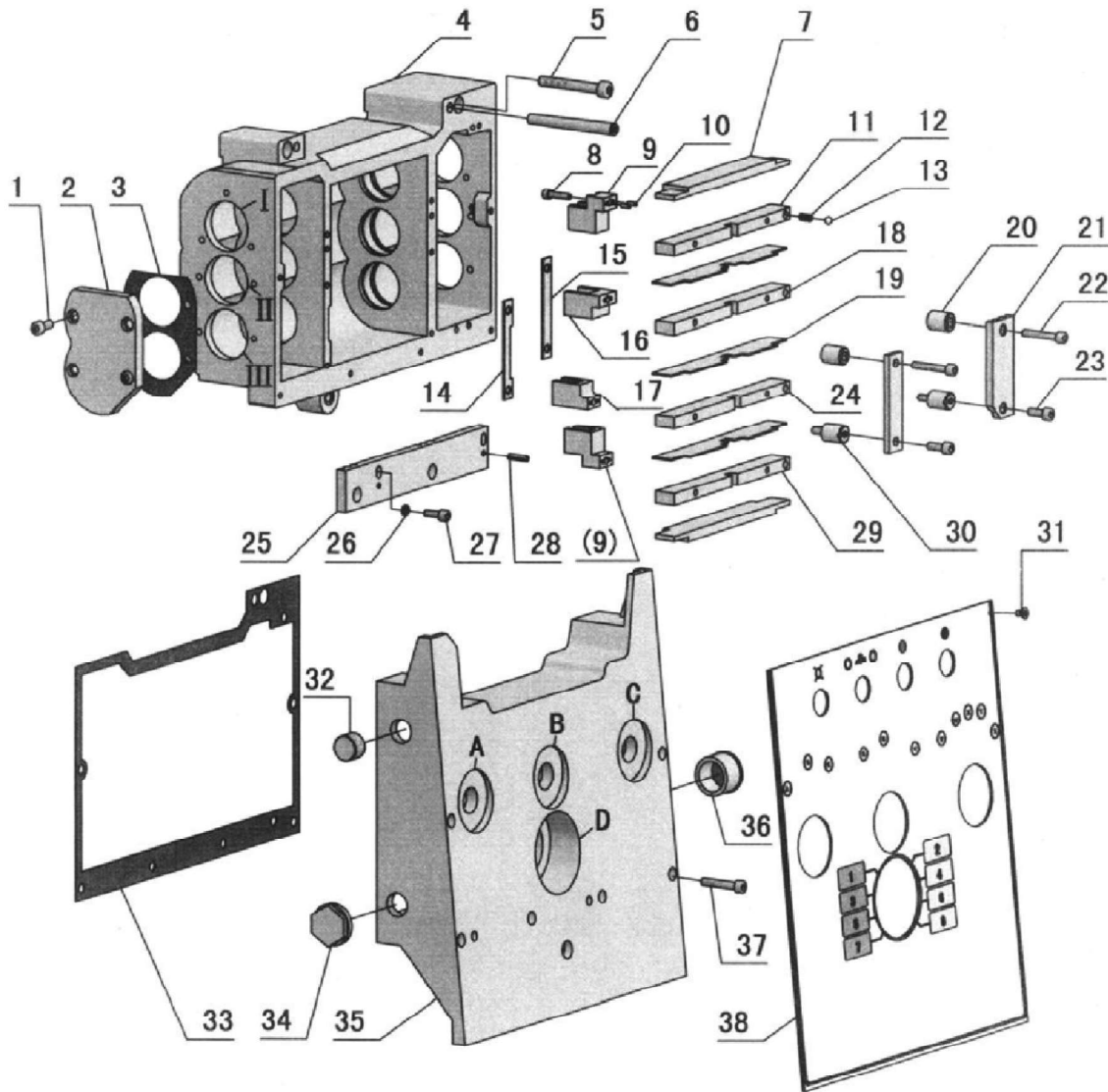
No.	Part No.	Name	Specification
41	GB1096-79	Key	8×35
42	GB1096-79	Key	8×50
43	CD6241.02-026	Shaft	
44	GB276	Ball Bearing	6206
45	CD6241.02-027	Gear	Mn=2.5 Z=38
46	CD6241.02-028	Gear	Mn=2.5 Z=23
47	CD6241.02-029	Sleeve	
48	CD6241.02-034	Gear	Mn=2.5 Z=30
49	CD6241.02-035	Gear	Mn=2.5 Z=46
50	GB278-89	Ball Bearing	6206
51	GB894.1-86	External Circlip	25
52	CD6241.02-036	Plug	
53	GB70-85	Socket Head Cap Screw	M6×14
54	CD6241.02-019	Cover	
55	CD6241.02-021	Packing	
56	GB276	Ball Bearing	6305
57	CD6241.02-020	Spacer	
58	CD6241.02-040	Shaft	
59	GB894.1-86	External Circlip	65
60	CD6241.02-030	Gear	Mn=2.5 Z=39
61	CD6241.02-031	Gear	Mn=2.5 Z=54
62	CD6241.02-032	Gear	Mn=2.5 Z=47
63	GB1096-79	Key	8×60
64	CD6241.02-033	Gear	Mn=2.5 Z=31
65	GB894.1-86	External Circlip	30
66	GB276-89	Ball Bearing	6206
67	GB894.1-86	External Circlip	45
68	CD6241.02-037	Gear	Mn=2.5 Z=60
69	GB1096-79	Key	8×30
70	CD6241.02-038	Gear	Mn=2.5 Z=21
71	GB893.1-86	External Circlip	62
72	GB3452.1	O-Ring	56×3.5
73	CD6241.02-041	Cover	
74	CD6241.02-009	Balance Piece	
75	GB77-85	Fix Screw	M6×8
76	CD6241.02-073	Set Nut	
77	GB70-85	Socket Head Cap Screw	M6×25
78	GB77-85	Fix Screw	M6×10
79	CD6241.02-071	Cover	
80	CD6241.02-070	Packing	

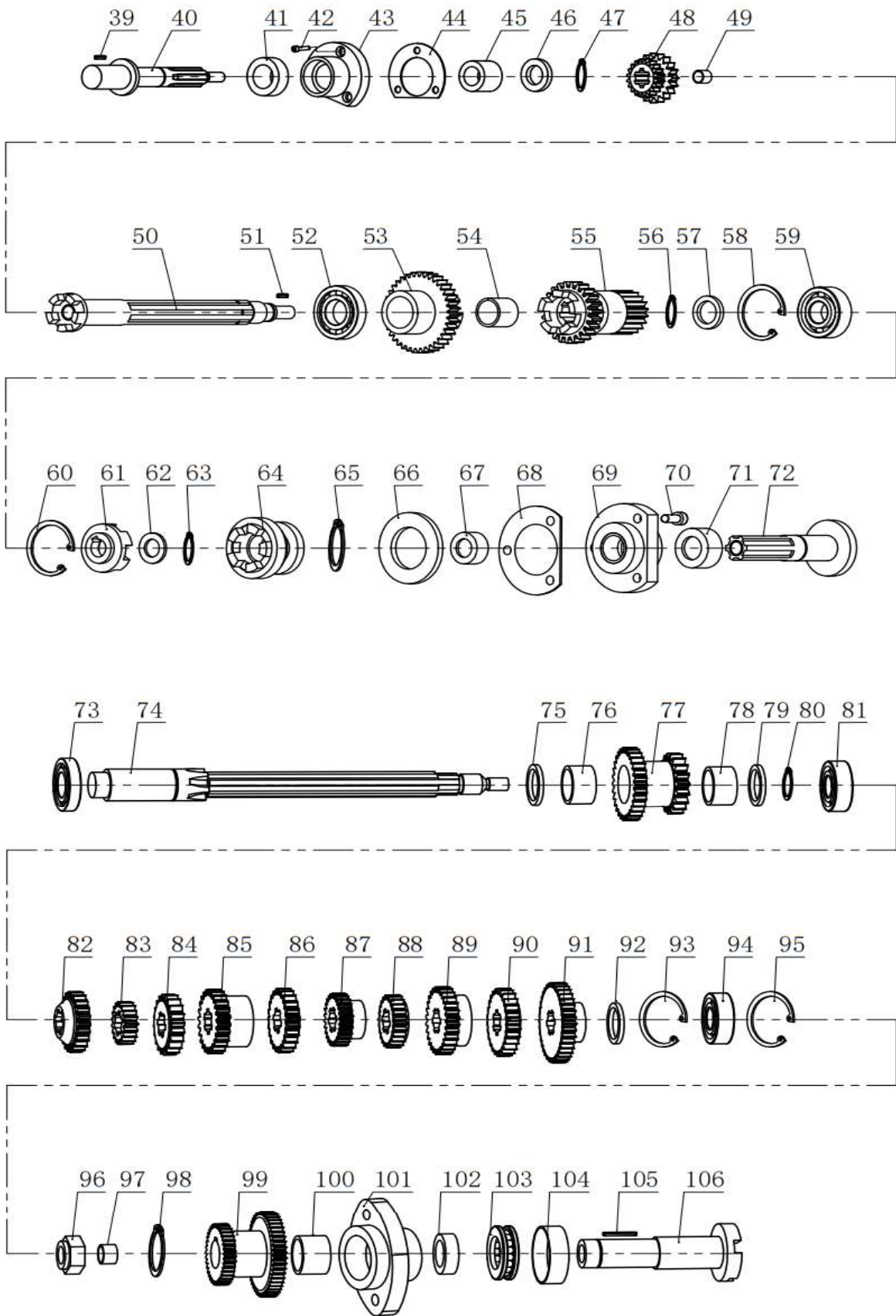
No.	Part No.	Name	Specification
81	CD6241.02-072	Cycle Oil Ring	
82	GB276-89	Ball Bearing	6213
83	CD6241.02-017	Sleeve	
84	CD6241.02-018	Gear	Mn=2 Z=48
85	C6241-5019	Fix Black	
86	CD6241.02-049	Set Nut	
87	GB297-84	Taper Roller	32014P5
88	GB894.1-86	External Circlip	75
89	CD6241.02-048	Gear	Mn=2.5 Z=43
90	CD6241.02-046	Gear	Mn=2.5 Z=82
91	GB297-84	Taper Roller	32016P5
92	CD6241.02-042	Packing	
93	CD6241.02-045	Cover	
94	GB70-85	Socket Head Cap Screw	M6×45
95	CD6241.02-047	Spindle	D1-6
96	GB/T2089	Spring	
97	C6241-2034	Cam Lock	
98	C6241-2099	Cam Lock Stud	
99	CD6241.02-043	Screw	
100	GB1235-76	O-Ring	25×2.65
101	CD6241.02-050	Shaft	
102	GB1096-79	Key	5×20
103	CD6241.02-011	Gear	Mn=2 Z=24
104	GB894.1-86	External Circlip	42
105	CD6241.02-012	Bush	
106	CD6241.02-010	Gear	Mn=2 Z=48
107	CD6241.02-014	Bush	
108	CD6241.02-016	Gear	Mn=2 Z=36
109	CD6241.02-015	Spacer	
110	GB894.1-86	External Circlip	22
111	GB276	Ball Bearing	6004
112	GB1096-79	Key	8×115
113	CD6241.02-052	Shaft	
114	CD6241.02-051	Gear	Mn=2 Z=36
115	CD6241.02-054	Sleeve	
116	CD6241.02-055	Gear	Mn=2 Z=24
117	CD6241.02-056	Gear	Mn=2 Z=48
118	GB278-89	Ball Bearing	6204
119	GB3452.1	O-Ring	41.2×3.55
120	CD6241.02-069	Cover	

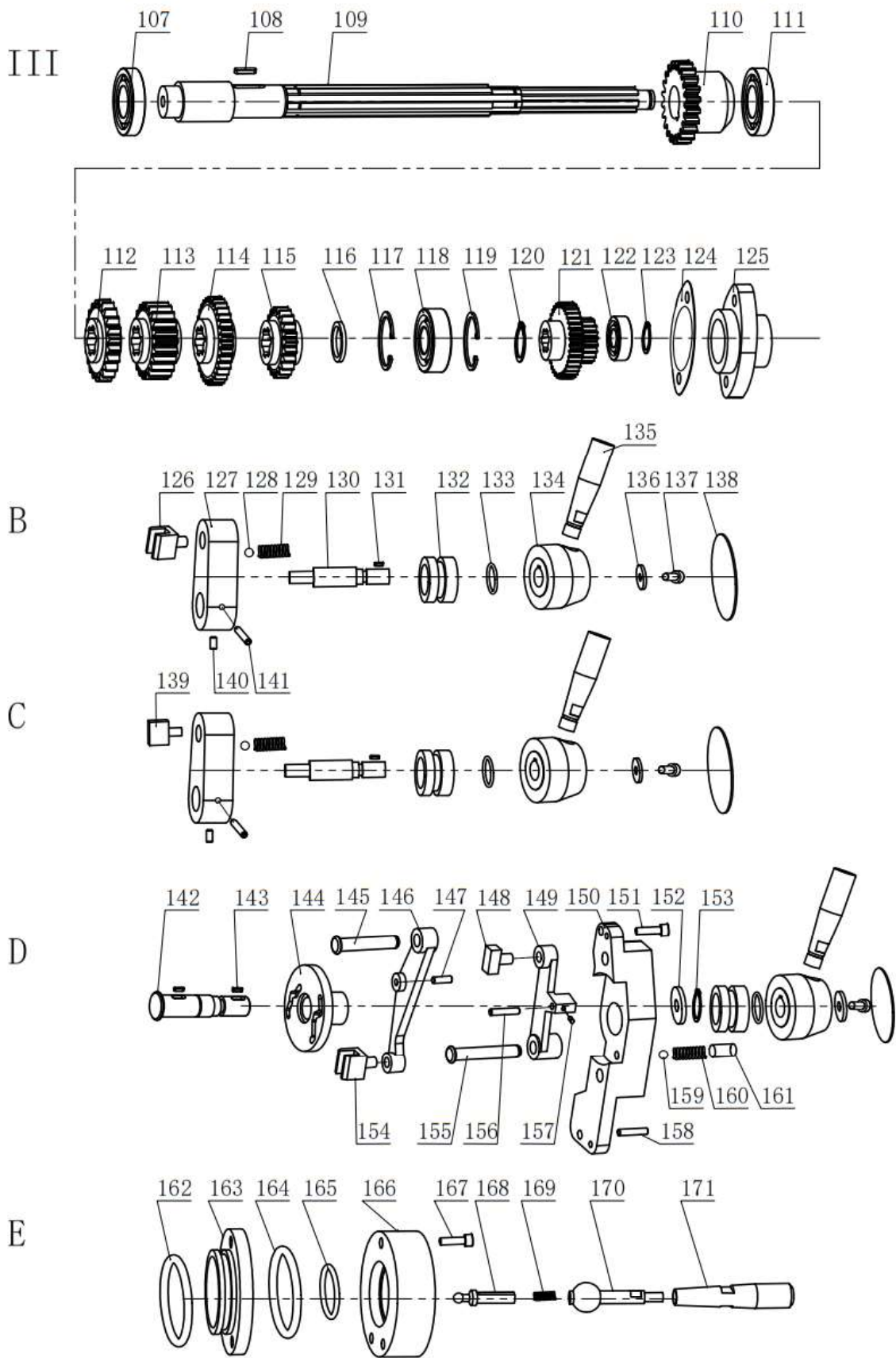
No.	Part No.	Name	Specification
121	GB70-85	Socket Head Cap Screw	M6×20
122	CD6241.02-068	Spacer	
123	CD6241.02-066	Change Gear	
124	GB70-85	Socket Head Cap Screw	M6×20
125	CD6241.02-067	Cover	
126	CD6241.02-068	Packing	
127	GB13871	Oil Seal	FB25×40×10
128	GB276	Ball Bearing	6005
129	GB1096-79	Key	6×14
130	CD6241.02-057	Shaft	
131	CD6241.02-053	Gear	Mn=2 Z=36
132	GB894.1-86	External Circlip	20
133	CD6241.02-004	Lever	
134	CD6241.02-087	Lever Head	
135	CD6241.02-098	Lever Head	
136	CD6241.02-088	External Circlip	
137	CD6241.02-099	Shaft	
138	GB77-85	Fix Screw	M12×10
139	GB2089-80	Spring	0.9×9×35
140	GB308-84	Steel Ball	φ10
141	GB3452.1-82	O-Ring	15×2.65
142	CD6241.02-033	Bracket	
143	CD6241.02-096	Lever	
144	CD6241.02-095	Fork	
145	CD6241.02-007	Plate	
146	CD6241.02-090	Cover	
147	GB1096-79	Key	4×10
148	GB2089-80	Spring	0.9×9×40
149	CD6241.02-100	Bracket	
150	CD6241.02-101	Lever	
151	CD6241.02-102	Fork	
152	GB827-86	Rivet	2×5
153	CD6241.02-005	Lever	
154	CD6241.02-090	Cover	
155	GB1096-79	Key	5×18
156	CD6241.02-085	Gear Shaft	Mn=1.5 Z=37
157	GB3452.1-82	O-Ring	11.2×2.65
158	CD6241.02-089	Lever Shaft	
159	CD6241.02-087	Lever Bracket	
160	CD6241.02-006	Plate	

No.	Part No.	Name	Specification
161	CD6241.02-086	Lever Bracket	
162	GB3452.1	O-Ring	25×2.65
163	GB/T119.1	Pin	10×19
164	CD6241.02-091	Bracket	

19. Gear Box Control







No.	Part No.	Name	Specification
1	GB70-85	Socket Head Cap Screw	M6×16
2	CD6241.03-057X	Cover	
3	CD6241.03-056	Packing	
4	CD6241.03-001	Gear Box Casting	
5	GB70-85	Socket Head Cap Screw	M8×65
6	GB118-86	Taper Pin	A8×90
7	CD6241.03-078	Top Plate	
8	GB70-85	Socket Head Cap Screw	M5×20
9	CD6241.03-063	Fork	
10	GB879-86	Spring Pin	3×10
11	CD6241.03-080	Fork	
12	GB2089-80	Spring	0.8×5×17
13	GB308-84	Steel Ball	6
14	CD6241.03-076	Plate	
15	CD6241.03-086	Plate	
16	CD6241.03-064	Fork	
17	CD6241.03-065	Fork	
18	CD6241.03-082	Fork	
19	CD6241.03-081	Drive Plate	
20	CD6241.03-077	Sleeve	
21	CD6241.03-087	Set Screw	M6×5
22	GB70-85	Socket Head Cap Screw	M6×35
23	GB70-85	Socket Head Cap Screw	M6×16
24	CD6241.03-083	Fork	
25	CD6241.03-060A	Selector Bar	
26	GB93-87	Spring Washer	6
27	GB70-85	Socket Head Cap Screw	M6×16
28	GB879-86	Spring Pin	5×18
29	CD6241.03-084	Fork	
30	CD6241.03-085	Screw	
31	GB819-85	Cross Screw	M5×8
32	GB3289.2-82	Oil Inlet Pip	ZG1/2"
33	CD6241.03-002	Packing	
34	GB3289.31-82	Plug	ZG1/2"
35	CD6241.03-003	Cover	
36	GB1160.2	Oil Sight Glass	A20
37	GB70-85	Socket Head Cap Screw	M6×35
38	CD6241.03-005	Plate	
39	GB1096-79	Key	8×28
40	CD6241.03-009	Shaft	

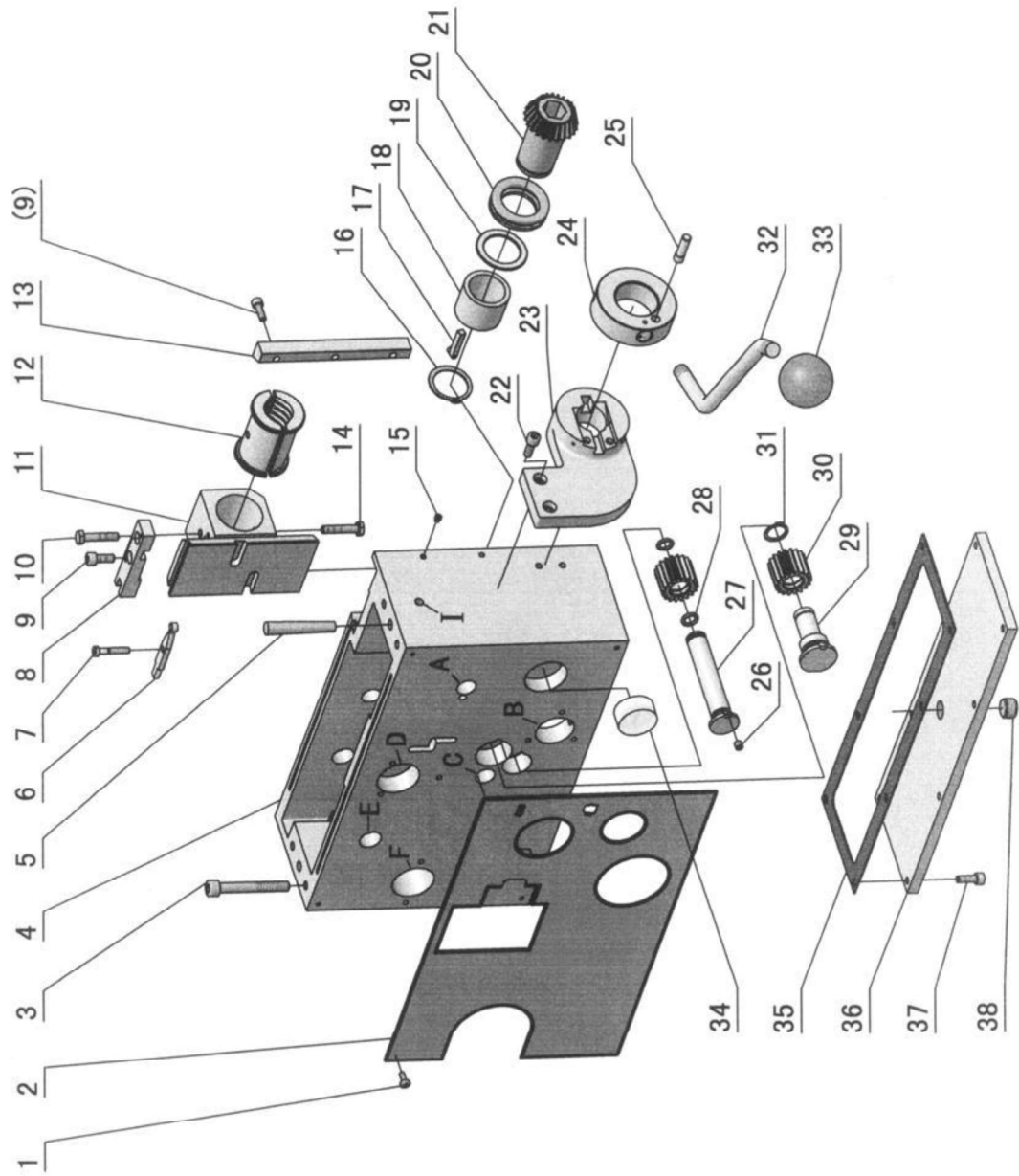
No.	Part No.	Name	Specification
41	HG4-692-67	Oil Seal	PD20×35×10
42	GB70-85	Socket Head Cap Screw	M6×16
43	CD6241.03-010	Bracket	
44	CD6241.03-012	Packing	
45	GB290-64	Roller Bearing	943/20
46	CD6241.03-011	Washer	
47	GB894.1-86	Circlip	20
48	CD6241.03-013	Gear	Mn=2.25Z=39 Mn=1.75 Z=20
49	GB/12613	Bush	12×10×20
50	CD6241.03-023	Shaft	
51	GB1096-79	Key	5×8
52	GB276-84	Ball Bearing	16004
53	CD6241.03-016	Gear	Mn=1.5 Z=38
54	CD6241.03-014	Bush	
55	CD6241.03-024	Gear	Mn=2. Z=23 Mn=1.5 Z=19
56	GB894.1-86	Circlip	20
57	CD6241.03-027	Washer	
58	GB893.1-86	Circlip	40
59	GB276-82	Ball Bearing	6203
60	GB893.1-86	Circlip	40
61	CD6241.03-29	Clutch Gear	
62	CD6241.03-28	Clutch	
63	GB894.1-86	Circlip	14
64	CD6241.03-30	Shaft	
65	GB894.1-86	Circlip	20
66	CD6241.03-011	Washer	
67	CD6241.03-036	Bush	
68	CD6241.03-038	Packing	
69	CD6241.03-037	Bracket	
70	GB70-85	Socket Head Cap Screw	M6×20
71	HG4-692-67	Oil Seal	PD20×35×10
72	CD6241.03-031	Shaft	
73	GB276-82	Ball Bearing	16004
74	CD6241.03-021	Shaft	
75	CD6241.03-055	Washer	
76	CD6241.03-053	Bush	
77	CD6241.03-054	Gear	Mn=1.75Z=30 Mn=2.25 Z=19
78	CD6241.03-053	Bush	
79	CD6241.03-055	Washer	
80	GB894.1-86	Circlip	25
81	GB276-84	Ball Bearing	16004

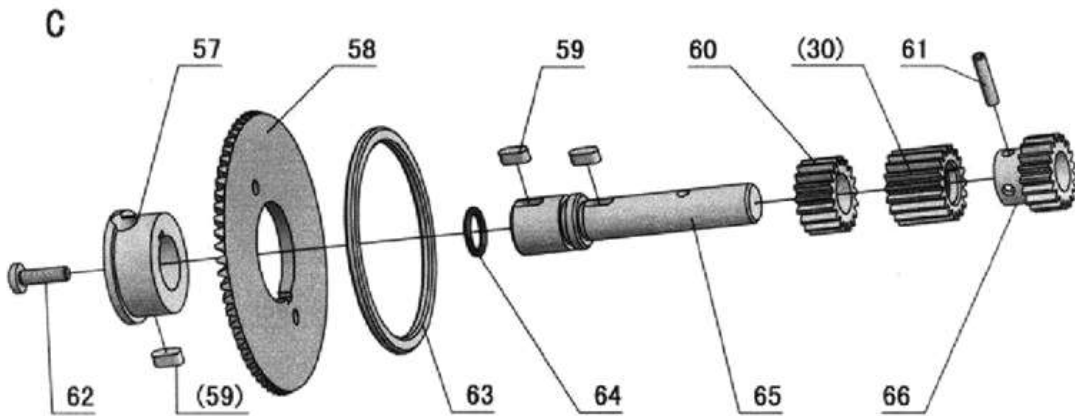
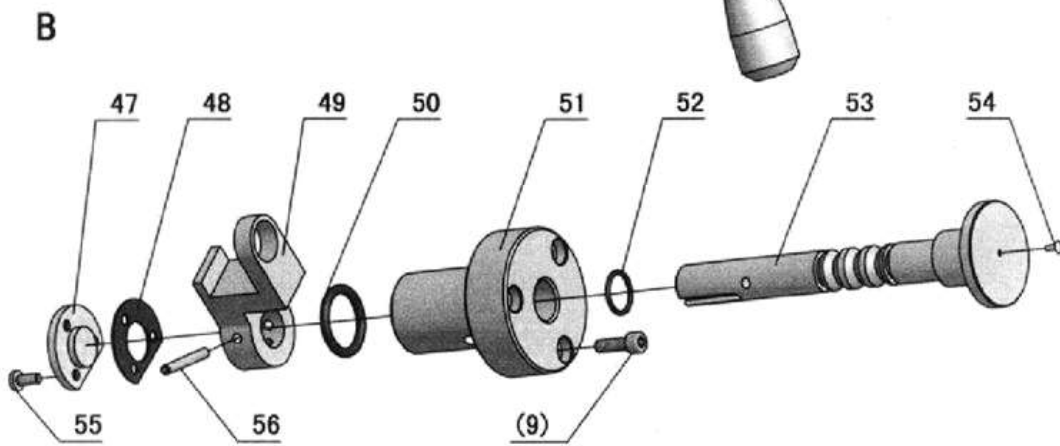
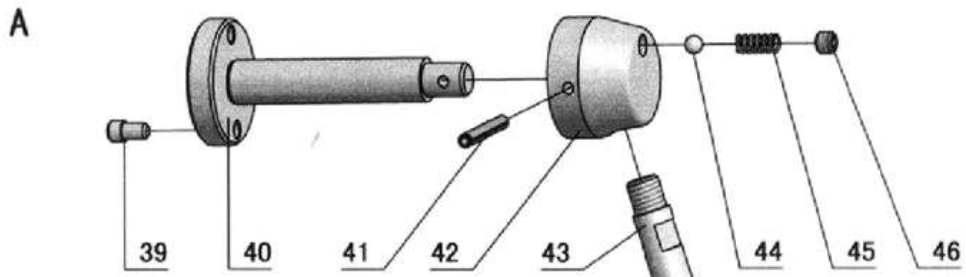
No.	Part No.	Name	Specification
82	CD6241.03-051	Gear	Mn=2 Z=22
83	CD6241.03-050	Gear	Mn=1.5 Z=19
84	CD6241.03-015	Gear	Mn=2. Z=20
85	CD6241.03-017	Gear	Mn=2 Z=24
86	CD6241.03-018	Gear	Mn=2 Z=23
87	CD6241.03-019	Gear	Mn=1.5 Z=27
88	CD6241.03-020	Gear	Mn=1.5 Z=24
89	CD6241.03-022	Gear	Mn=1.75 Z=28
90	CD6241.03-025	Gear	Mn=1.75 Z=26
91	CD6241.03-026	Gear	Mn=1.5 Z=38
92	CD6241.03-027	Washer	
93	GB893.1-86	Circlip	40
94	GB276-82	Ball Bearing	6203
95	GB893.1-86	Circlip	40
96	CD6241.03-044	Nut	
97	CD6241.03-042	drivepipe	
98	GB894.1-86	Circlip	22
99	CD6241.03-032	Gear	
100	CD6241.03-033	Bush	
101	CD6241.03-035	Bracket	
102	HG4-692-67	Oil Seal	PD25×40×10
103	GB301-84	Thrust Bearing	51105
104	D6241.03-039	Cover	
105	GB1096-79	Key	5×35
106	CD6241.03-040	Shaft	
107	GB276-84	Ball Bearing	16004
108	GB1096-79	Key	
109	CD6241.03-045	Shaft	
110	CD6241.03-052	Gear	Mn=2.25 Z=22
111	GB276-84	Ball Bearing	16004
112	CD6241.03-049	Gear	Mn=2 Z=22
113	CD6241.03-048	Gear	Mn=2 Z=22
114	CD6241.03-047	Gear	Mn=1.5 Z=33
115	CD6241.03-046	Gear	Mn=1.75 Z=22
116	CD6241.03-027	Washer	
117	GB893.1-86	Circlip	40
118	GB276-82	Ball Bearing	6203
119	GB893.1-86	Circlip	40
120	GB894.1-86	Circlip	17

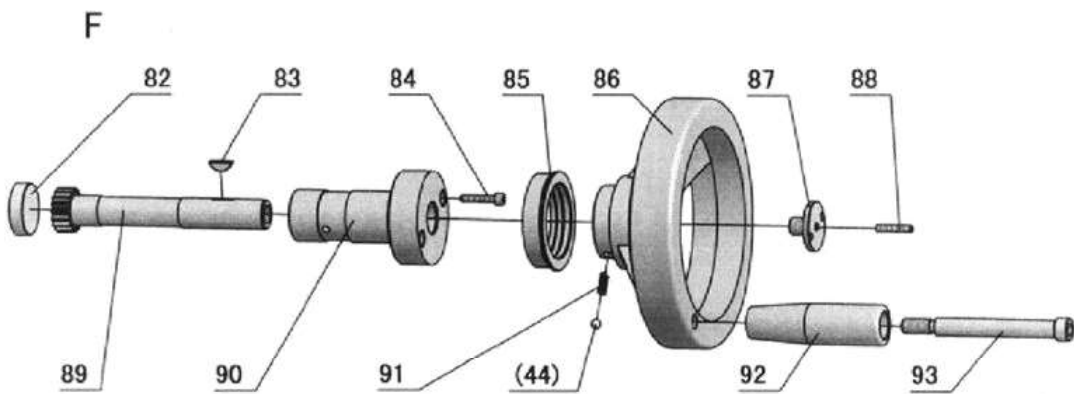
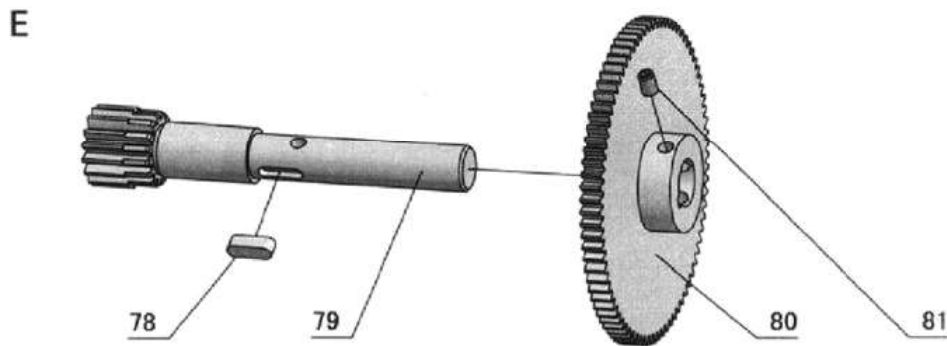
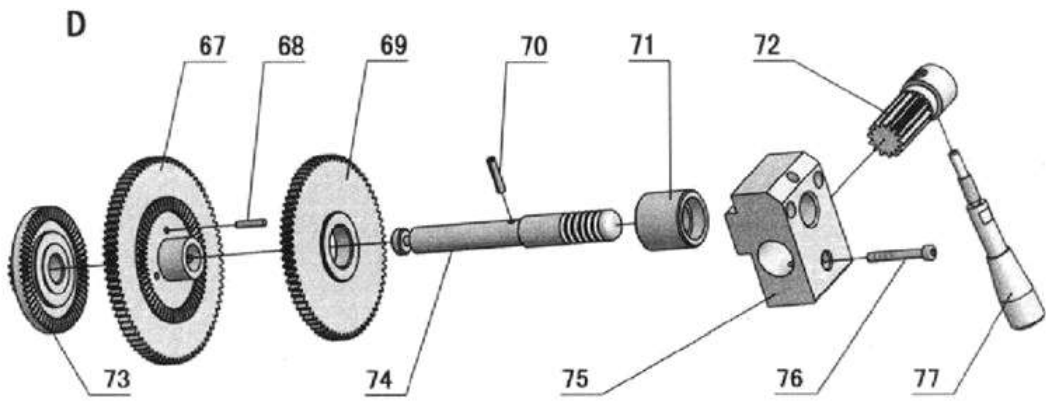
No.	Part No.	Name	Specification
121	CD6241.03-043	Gear	Mn=1.25Z=36 Mn=1.25 Z=20
122	GB276-86	Roller Bearing	6001
123	GB894.1-86	Circlip	
124	CD6241.03-034	Packing	
125	CD6241.03-041	Bracket	
126	CD6241.03-058	Fork	
127	CD6241.03-059	Shifting fork	
128	GB308	Steel ball	6
129	GB/T2089	Spring	0.8×5×17
130	CD6241.03-061	Axis	
131	GB/T1095	Key	4×12
132	CD6241.03-070	Bush	
133	GB3452.1	O-Ring	17×2.65, 10×2.65
134	CD6241.03-072	Lever Head	
135	CD6241.02-004	Lever	
136	CD6241.03-071	Shim	
137	GB70-85	Socket Head Cap Screw	M5×12
138	CD6241.02-007	Indication Saign	
139	CD6241.03-062	Fork	
140	GB78-85	Screw	M6×8
141	GB879-86	Spring Pin	4×26
142	CD6241.03-073	Lever	
143	GB1096-79	Key	4×12
144	CD6241.03-074	Cam	
145	CD6241.03-066-1	Shaft	
146	CD6241.03-089	Lever	
147	GB/T119.1	Fork	5×16
148	CD6241.03-069	Fork	
149	CD6241.03-068	Lever	
150	CD6241.03-067	Bracket	
151	GB70-85	Socket Head Cap Screw	M6×20
152	CD6241.03-075	Shim	
153	GB894.1-86	Circlip	17
154	CD6241.03-088	Fork	
155	CD6241.03-066	Shaft	
156	GB/T119.1	Fork	5×25
157	GB78-85	Screw	M4×8
158	GB/T119.1	Fork	5×25
159	GB308	Steel ball	6
160	GB/T2089	Spring	0.8×5×17
161	GB70-85	Socket Head Cap Screw	M6×16
162	GB3452.1-82	O-Ring	40×2.65

No.	Part No.	Name	Specification
163	CD6241.03-093	Bracket	
164	GB3452.1-82	O-Ring	
165	GB3452.1-82	O-Ring	
166	CD6241.03-092	Cover	
167	GB70-85	Socket Head Cap Screw	M5×30
168	CD6241.03-090	Selector	
169	GB2089-80	Spring	1×8×32
170	CD6241.03-091	Lever	
171	CD6241.03-004	Lever	

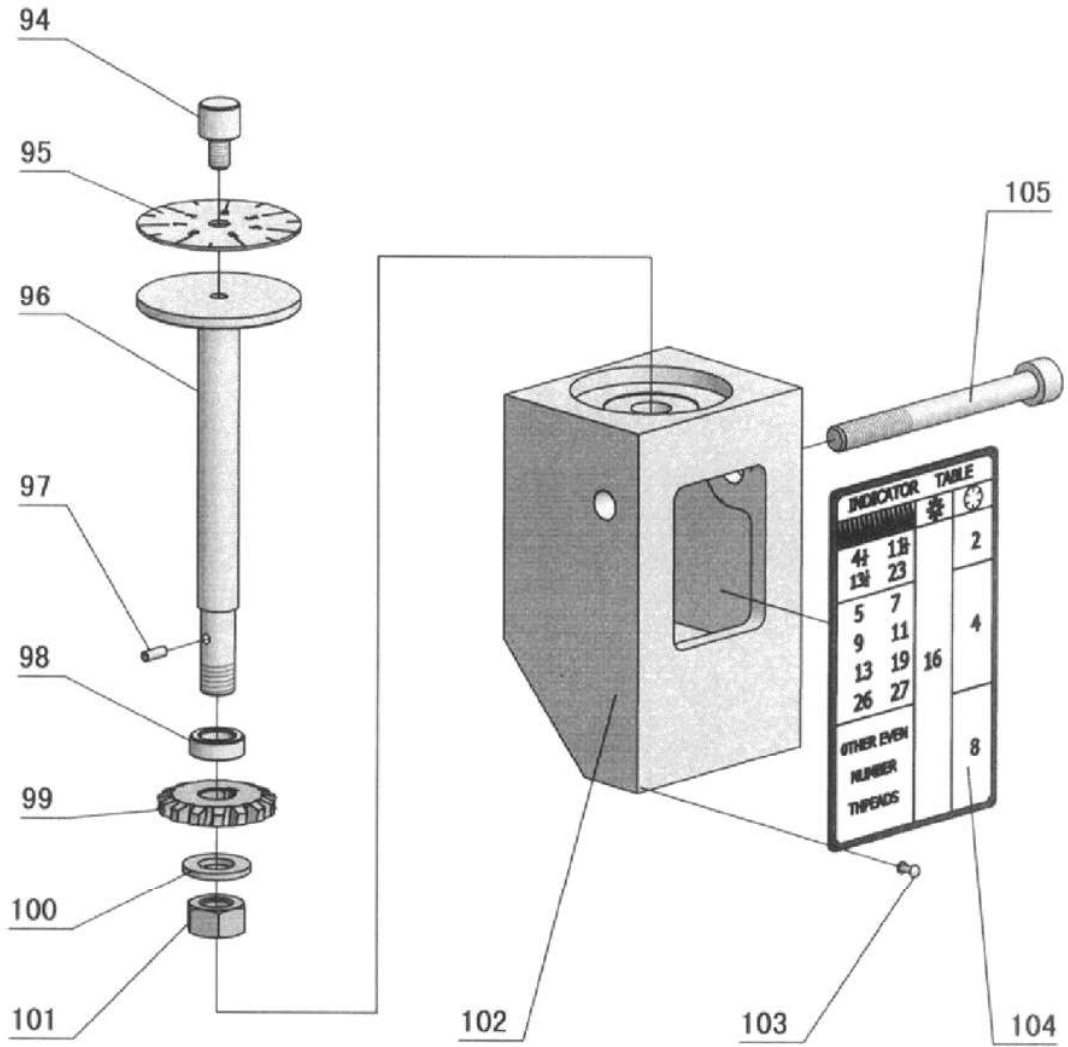
20.Apron







I

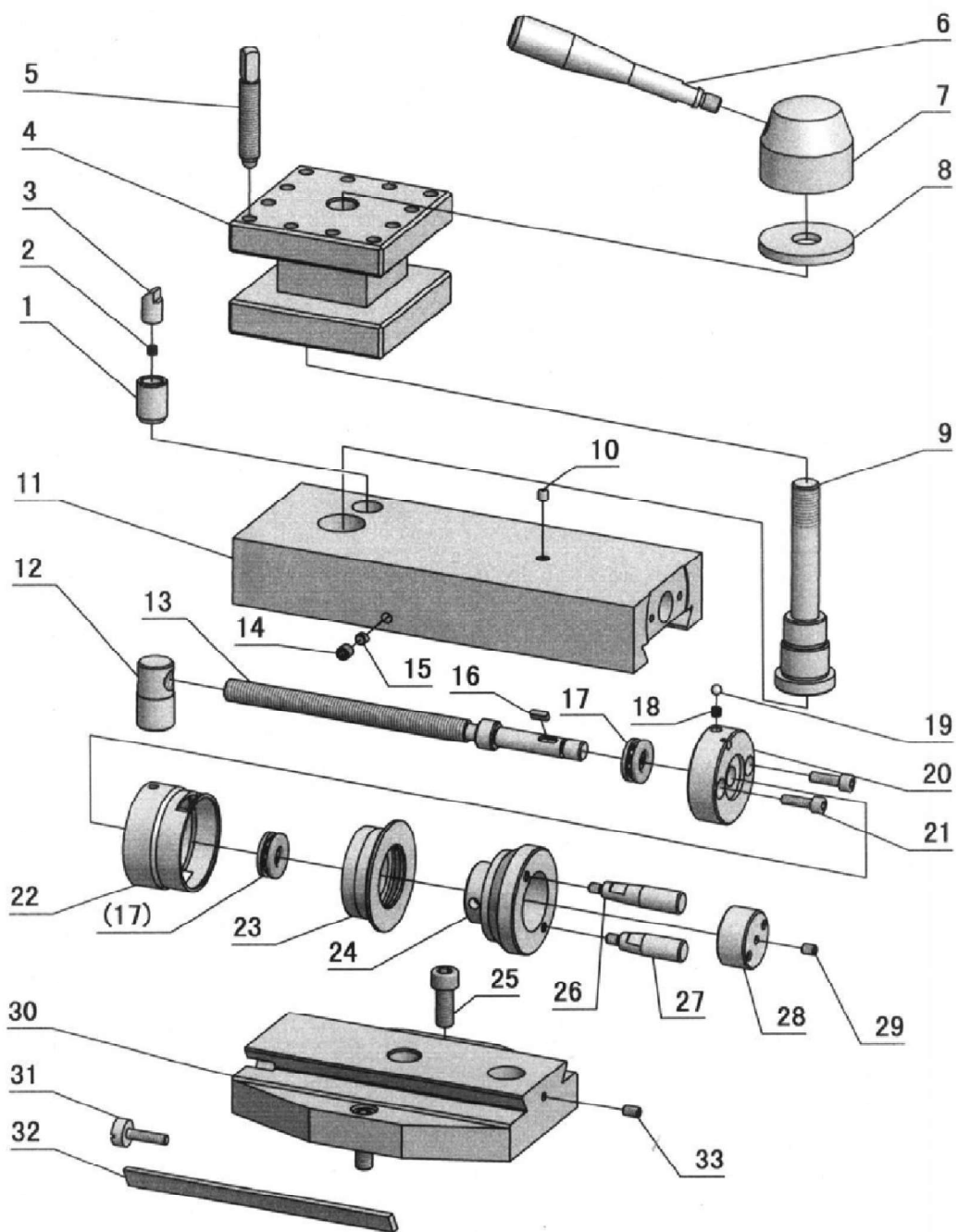


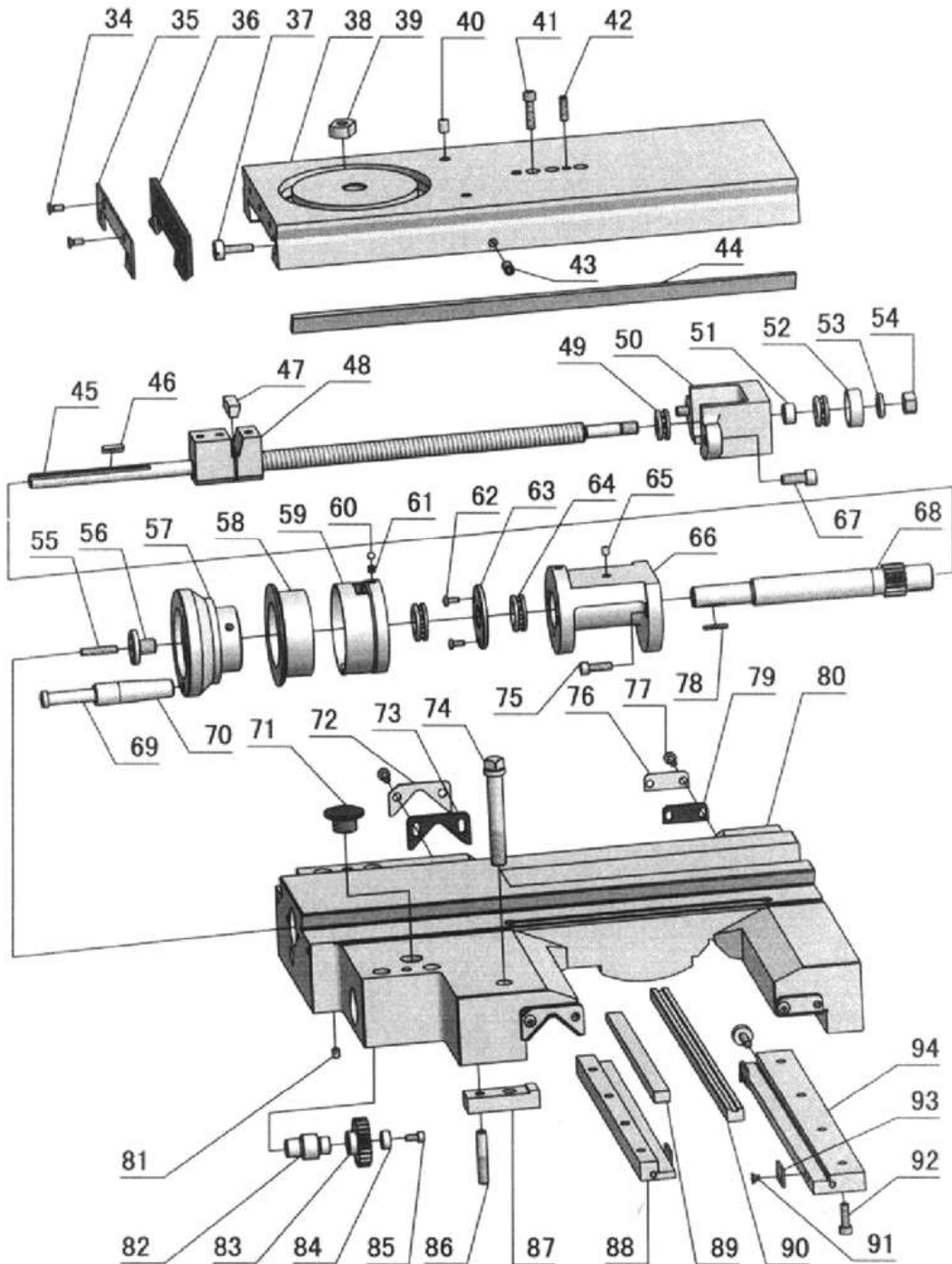
No.	Part No.	Name	Specification
1	GB818-85	Screw	M4×10
2	CD6241.04-003	Name Plate	
3	GB70-85	Socket Head Cap Screw	M8×60
4	CD6241.04-001	Apron Casting	
5	GB117-86	Pin	B8×60
6	CD6241.04-031	Lever	
7	GB70-85	Socket Head Cap Screw	M5×16
8	CD6241.04-039	Stopper	
9	GB70-85	Socket Head Cap Screw	M5×12
10	GB/T879.2	Bolt	3×14
11	CD6241.04-038	Half Bracket	
12	CD6241.04-052	Half Nut	
13	CD6241.04-030	Gib	
14	GB5782-86	Bolt	M6×10
15	GB79-85	Socket Head Set Screw	M5×6
16	GB894.1-86	Clip	30
17	CD6241.04-035	Key	
18	GB290-82	Needle Bearing	7943/30
19	CD6241.04-028	Washer	
20	GB301-84	Thrust Bearing	8106
21	CD6241.04-029	Gear-Drive Level	Mn=1.75 Z=23
22	GB70-85	Socket Head Cap Screw	M6×16
23	CD6241.01-025	Switch Brackek	
24	CD6241.01-026-1	Bracket	
25	C6241-1027	Pin	
26	GB77-85	Socket Head Set Screw	M6×6
27	CD6241.04-044	Shaft	
28	GB3452.1-82	O-Ring	11.2×2.65
29	CD6241.04-019	Shaft	
30	CD6241.04-050	Gear	Mn=1.5 Z=18
31	GB894.1-86	External Circle	16
32	CD6241.01-026	Spindle Control Lever	
33	Z16-1	Lever Bush	
34	GB1160-86	Sight Glass	B20
35	CD6241.04-049	Packing	
36	CD6241.04-048	Bottom Plate	
37	GB70-85	Socket Head Cap Screw	M5×16
38	Q/ZB285.3	Oil Plug	R 3/8"
39	CD6241.04-037	Pin	
40	CD6241.04-025	Shaft	

No.	Part No.	Name	Specification
41	GB879-86	Spring Pin	5×42
42	CD6241.04-026	Lever Head	
43	CD6241.04-027	Handle	
44	GB308-84	Steel Ball	φ6.5
45	GB896-86	Clip	8
46	GB77-85	Socket Head Cap Screw	M8×6
47	CD6241.04-043	Cover	
48	CD6241.04-042	Packing	
49	CD6241.04-041	Fork	
50	GB3452.1-82	O-Ring	25.8×3.55
51	CD6241.04-022	Sleeve	
52	GB3452.1-82	O-Ring	16×1.8
53	CD6241.04-021	Shaft	
54	GB827-86	Rivet	2×6
55	GB818-85	Screw	M4×10
56	GB879-86	Spring Pin	4×30
57	CD6241.04-051	Input Bush	
58	CD6241.04-045	Gear-Drive Bevel	Mn=1.75 Z=64
59	GB1096-79	Key	5×12
60	CD6241.04-047	Gear	Mn=1.5 Z=18
61	GB879-86	Spring Pin	5×22
62	GB818-85	Screw	M6×20
63	CD6241.04-046	Washer	
64	GB3452.1-82	O-Ring	17×2.65
65	CD6241.04-018	Shaft	
66	CD6241.04-017	Gear	Mn=1.5 Z=18
67	CD6241.04-011	Gear	Mn=1.5Z=80 Mn=1.25 Z=60
68	GB119-86	Pin	D4×20
69	CD6241.04-012	Gear	Mn=1.5Z=72 Mn=1.25 Z=60
70	GB879-86	Spring Pin	5×22
71	CD6241.04-015	Sleeve	
72	CD6241.04-040	Gear Shaft	Mn=1.5 Z=14
73	CD6241.04-034	Gear	Mn=1.5Z=18 Mn=1.25 Z=60
74	CD6241.04-013	Shaft	
75	CD6241.04-014	Lever Head	
76	GB70-85	Socket Head Cap Screw	M5×40
77	CD6241.04-016	Lever	
78	GB1096-79	Key	6×18
79	CD6241.04-010	Shaft	Mn=1.75 Z=16
80	CD6241.04-009	Gear	Mn=1.5 Z=81

No.	Part No.	Name	Specification
81	GB/T78	Screw	5×35
82	CD6241.04-023	Plug	
83	GB1096-79	Key	5×20
84	GB70-85	Socket Head Cap Screw	M5×25
85	CD6241.04-008	Dial	
86	CD6241.04-007	Hand Wheel	
87	CD6241.04-117	Screw Plug	
88	GB79-85	Set Screw	M6×25
89	CD6241.04-002	Shaft	
90	CD6241.04-004	Sleeve	
91	GB2089-80	Spring	0.5×5×12
92	CD6241.04-005	Handle	
93	CD6241.04-006	Bolt	
94	CD6241.04-053	Screw	
95	CD6241.04-055	Plate	
96	CD6241.04-033	Shaft	
97	GB879-86	Spring Pin	3×8
98	CD6241.04-054	Washer	
99	CD6241.04-056	Worm Gear	Mn=2 Z=14
100	GB93-86	Spring Washer	10
101	GB6170-86	Nut	M10
102	CD6241.04-032	Worm Unit	
103	GB827-86	Rivet	2×5
104	CD6241.04-036	Plate	
105	GB70-85	Socket Head Cap Screw	M8×80

21. Saddle



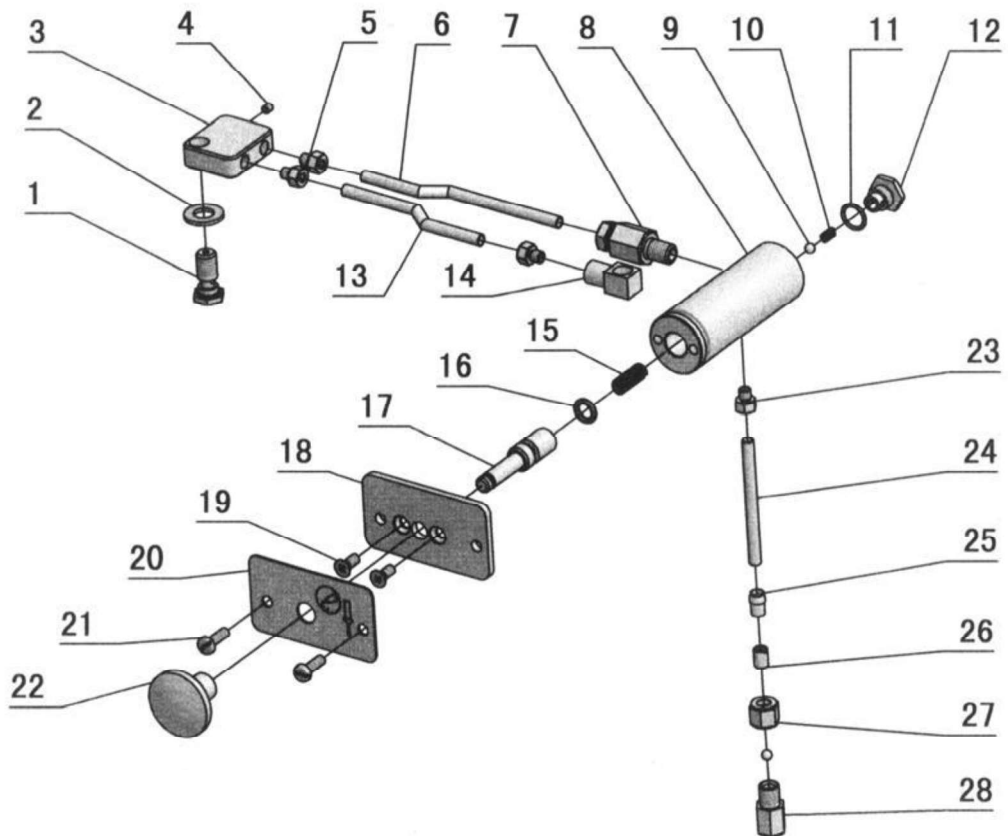


No.	Part No.	Name	Specification
1	C6241-5015	Bush(S-Post)	
2	GB2089-80	Spring	1×8×11
3	CD6241.05-011	Pin	10×26
4	CD6241.05-013	Tool Post	
5	GB98-83	Screw	M10×50
6	CD6241.05-016	Clamp Handle	
7	CD6241.05-015	Clamping Handle	
8	CD6241.05-012	Washer	
9	CQ6240-5010	Tool Post Shaft	
10	GB1155-79	Ball Cup	8
11	CD6241.05-001	Compound Rest	
12	CD6241.05-003	Nut	
13	CD6241.05-004	Feed Screw	
14	GB77-85	Screw	M8×8
15	CQ6230-5025	Bottom	
16	GB1096-79	Key	4×12
17	GB301-84	Thrust Bearing	8101
18	GB2089-80	Spring	0.5×4×12
19	GB308-77	Steel Ball	6
20	CD6241.05-005	Seat	
21	GB70-85	Screw	M6×25
22	CD6241.05-007	Steel Ball	
23	CD6241.05-006	Dial-Compound Rest	
24	CD6241.05-017	Handle	
25	GB70-85	Screw	M10×25
26	CD6241.05-018	Handle	
27	CD6241.05-019	Handle	
28	CD6241.05-008	Screw Plug	
29	GB77-85	Screw	M6×8
30	CD6241.05-002	Swivel Table	

No.	Part No.	Name	Specification
31	CD6241.05-020	Screw	
32	CD6241.05-009	Gib	
33	GB77-85	Screw	M6×10
34	GB819-85	Screw	M5×12
35	CD6241.05-135	Wiper Cover	
36	CD6241.05-134	Wiper	
37	CD6241.05-127	Screw	
38	CD6241.05-102	Cover-Cross Sliding	
39	CD6241.05-130	T-Bracket	
40	GB1155-79	Ball Cup	8
41	GB70-85	Screw	M6×25
42	GB77-85	Screw	M6×20
43	GB77-85	Screw	M8×16
44	CD6241.05-103	Gib	
45	CD6241.05-104	Feed Screw	
46	CD6241.05-106	Key	
47	CD6241.05-121	Bracket	
48	CD6241.05-120	Nut	
49	GB301-84	Thrust Bearing	51100
50	CD6241.05-110	Bracket	
51	CD6241.05-111	Spacer	
52	CD6241.05-112	Bearing Cover	
53	GB/T97.1	Bracket	10
54	GB6175-86	Clamping Nut	M10
55	GB77-85	Screw	M6×25
56	CD6241.05-117	Clamping Screw	
57	CD6241.05-116	Wheel;	
58	CD6241.05-115	Dial-Feed	
59	CD6241.05-114	Handle Spacer	
60	GB308-77	Steel Ball	6
61	GB2089-80	Spring	0.5×4×12
62	GB818-85	Screw	M4×10
63	CD6241.05-113	Washer	
64	GB301-84	Thrust Bearing	51103
65	GB1155-79	Ball Cup	6
66	CD6241.05-109	Bracket	

No.	Part No.	Name	Specification
67	GB77-85	Screw	M8×25
68	CD6241.05-105	Gear Shaft	Mn=1.5 Z=16
69	CD6241.05-119	Screw	
70	CD6241.05-118	Handle Spacer	
71	C6241-3100	Plug	
72	CD6241.05-139	Wiper Cover	
73	CD6241.05-138	Wiper	
74	GB8-88	Clamp Screw	M12×75
75	GB70-85	Screw	M6×20
76	CD6241.05-137	Wiper Cover	
77	GB818-85	Screw	M5×12
78	GB1096-86	Key	3×3×20
79	CD6241.05-136	Wiper	
80	CD6241.05-101	Carriage	
81	GB77-85	Screw	M6×8
82	CD6241.05-133	Shaft	
83	CD6241.05-131	Gear	Mn=1.5 Z=25
84	CD6241.05-132	Washer	
85	GB70-85	Screw	M5×10
86	CD6241.05-129	Support Screw	
87	CD6241.05-128	Clamp Block	
88	CD6241.05-124	Gib	
89	CD6241.05-125	Gib	
90	CD6241.05-123	Gib	
91	GB68-85	Screw	M4×6
92	GB70-85	Screw	M6×20
93	CD6241.05-126	Baffle	
94	CD6241.05-122	Gib	

22. Lubrication



No.	Part No.	Name	Specification
1	CD6241.05-147	Proper Screw	
2	GB97.1-85	Washer	10
3	CD6241.05-148	Distributor	
4	GB77-85	Screw	M4×5
5	15326C	Tie-in	
6		Lubrication Tube	φ5
7	2143SC	Tie-in	φ5/Z1/8
8	CD6241.05-145	Pump	
9	GB308-77	Ball	5
10	GB2089-80	Spring	0.5×4.5×15
11	GB3452.1-82	O-Ring	11.2×1.8
12	CD6241.05-146	Plug	
13		Lubrication Tube	φ5
14	CD6241.05-149	Joint	
15	GB2089-80	Spring	1.4×11×40
16	GB3452.1-82	O-Ring	9×1.8
17	CD6241.05-143	Piston	
18	CD6241.05-142	Plate	
19	GB819-85	Screw	M5×12
20	CD6241.05-141	Name Plate	
21	GB67-85	Screw	M5×10
22	CD6241.05-144	Knob	
23	22587T	Tie-in	φ6/Z1/8
24		Lubrication Tube	φ6×150
25	RUN6246-103071	Tie-in	
26	RUN6246-103072	Nut	
27	B1061C	Double Taper Sheath	4
28	RUN6246-103073	Valve	