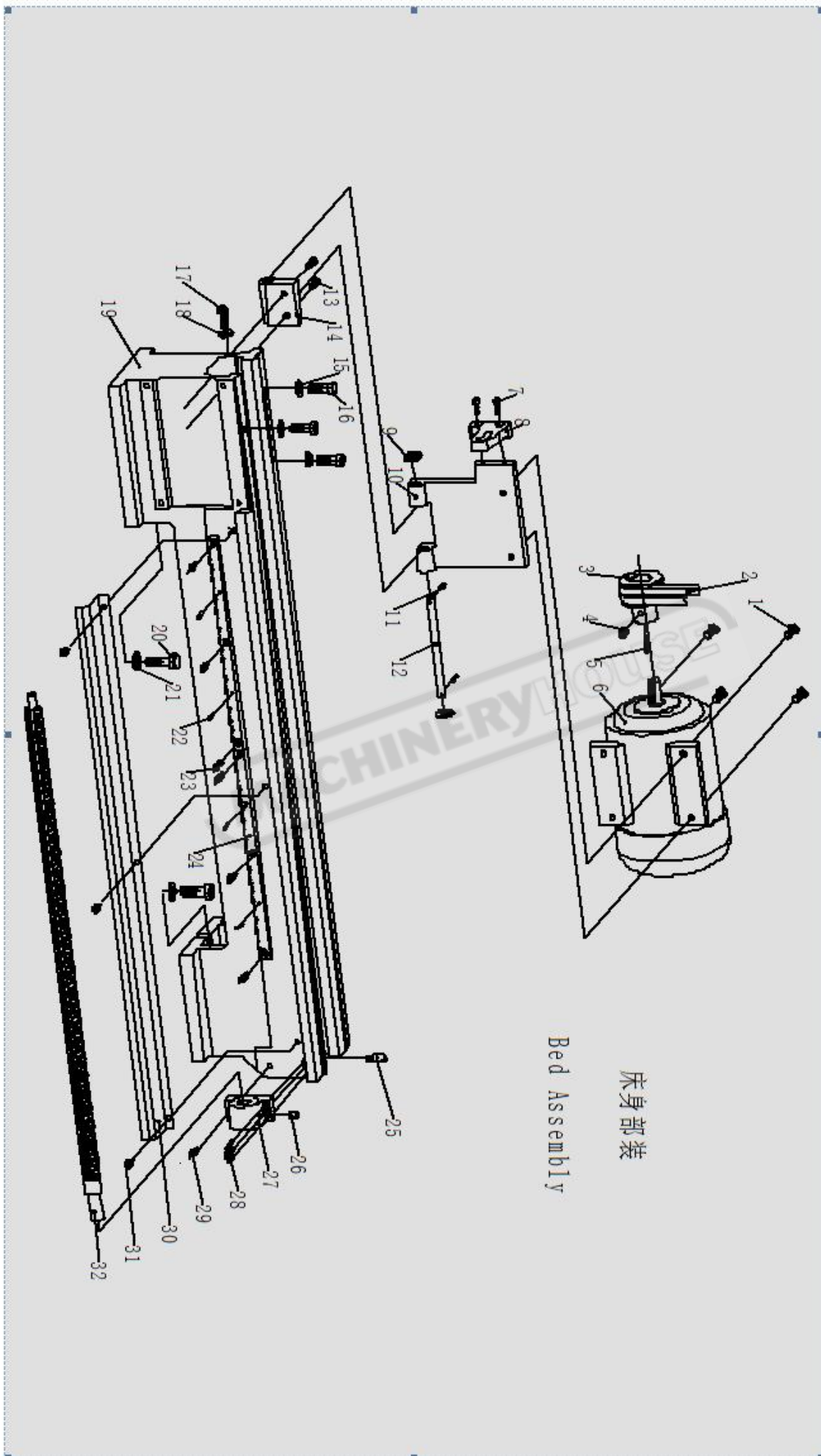


BED ASSEMBLY

No.	Code	Description	Specifications	Quantity	Remark
1	GB5781-86	Hexagon bolt	M8×25	4	
2	GB1171-74	V belt	O# 630	2	
3	CJM250-08-003	Motor pulley		1	
4	GB78-85	Screw	M6×10	1	
5	GB1096-79	Flat key	4×24	1	
6	CO ₂ 7124	Motor	750W/220V	1	
7	GB70-85	Screw	M6×20	2	
8	CJM250-08-004	Adjust rack		1	
9	GB97.2-85	Washer	12	2	
10	CJM250-08-010	Motor bottom plate		1	
11	GB/T91-2000	Split pin	3.2×20	2	
12	CJM250-08-012	Support axle		1	
13	GB70-85	Screw	M6×20	2	
14	CJM250-08-011	Support		1	
15	GB93-87	Spring washer	8	3	
16	GB5781-86	Hexagon bolt	M8×30	3	
17	GB5781-86	Hexagon bolt	M8×30	1	
18	GB96-85	Large washer	8	1	
19	CJM250-01-001	Bedway		1	
20	GB95-2002	Washer	12	1	
21	GB5781-86	Hexagon bolt	M12×35	2	※
22	GB117-85	Taper pin	4×24	4	
23	GB70-85	Screw	M5×16	6	
24	CJM250-01-003	Spline		2	
25	GB831-1988	slotting headless screw	M8×16	1	
26	GB/T7940.4-1995	Oil cup	8	1	
27	CJM250-01-005	Longitudinal screw base		1	
28	GB117-85	Taper pin	3×22	2	
29	GB70-85	Screw	M5×16	2	
30	CJM250-01-004	Splash guard		1	
31	GB818-85	Screw	M5×8	3	
32	CJM250-01-002	Longitudinal leadscrew		1	



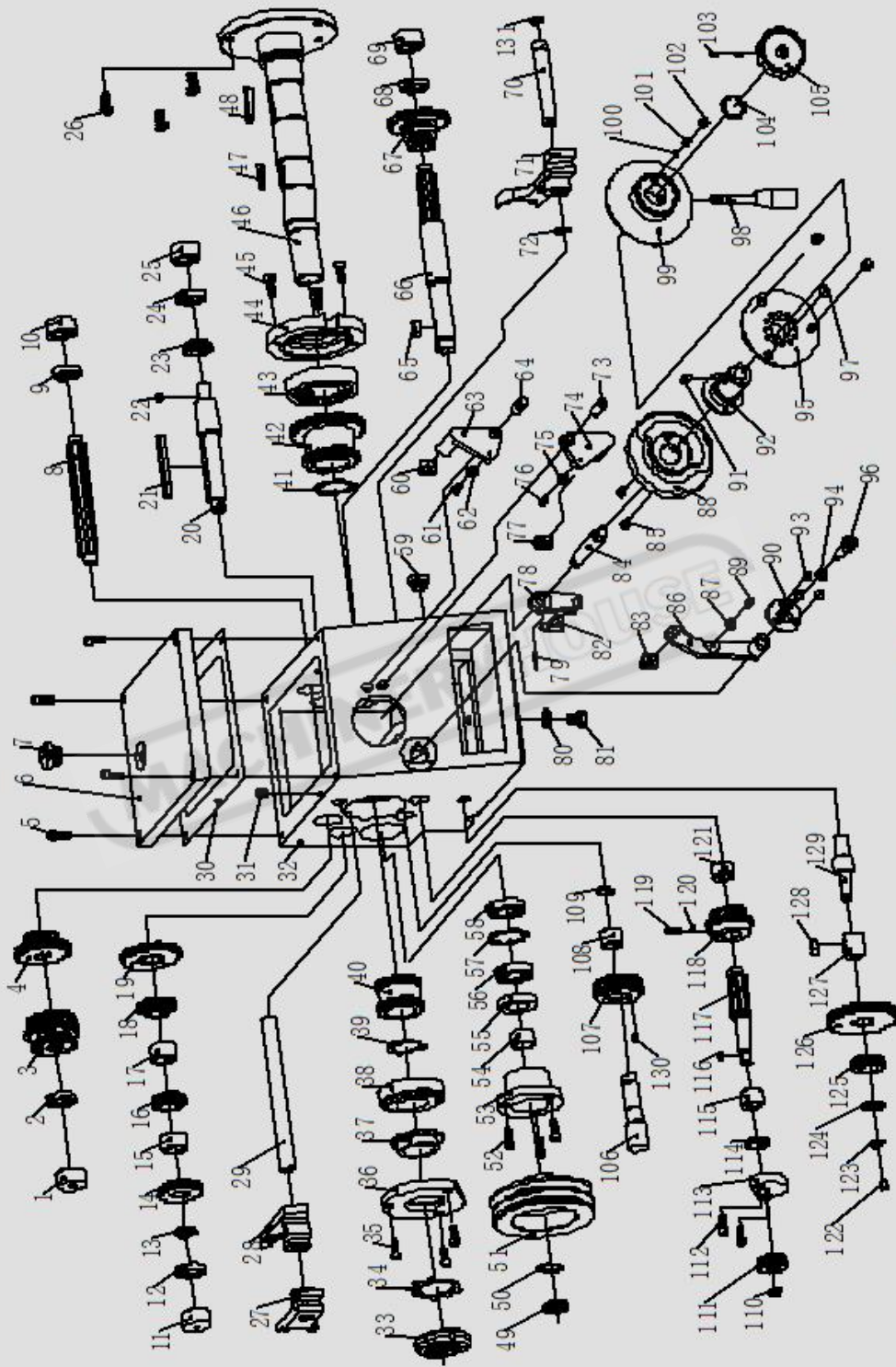
HEADSTOCK ASSEMBLY

No.	Code	Description	Specifications	Quantity	Remark
1	CJM250-02-022	Plug		1	
2	GB276-89	Bearing	102	1	
3	CJM250-02-028	Triple gear		1	
4	CJM250-02-034	Dual gear		1	
5	GB70-85	Screw	M6×16	4	
6	CJM250-02-048	Headstock cover		1	
7	CJM250-02-048	Oil plug		1	
8	CJM250-02-035	Spline shaft		1	
9	GB276-89	Bearing	102	1	
10	CJM250-02-022	Plug		1	
11	CJM250-02-022	Plug		1	
12	GB276-89	Bearing	102	1	
13	CJM250-02-023	Waher		1	
14	CJM250-02-024	Gear		1	
15	CJM250-02-026	Spacer bush		1	
16	CJM250-02-027	Gear		1	
17	CJM250-02-026	Spacer bush		1	
18	CJM250-02-030	Gear		1	
19	CJM250-02-031	Gear		1	
20	CJM250-02-032	Sahft		1	
21	GB1096-79	Flat key	6×75	1	
22	GB1096-79	Flat key	5×10	1	
23	CJM250-02-033	Gear		1	
24	GB276-89	Bearing	102	1	
25	CJM250-02-022	Plug		1	
26	GB5781-2000	Bolt	M8×25	3	
27	CJM250-02-043	Left fork		1	
28	CJM250-02-047	Right fork		1	
29	CJM250-02-051	Fork axle		1	
30	CJM250-02-050	Seal		1	
31	GB78-85	Screw	M6×12	1	
32	CJM250-02-001	Headstock body		1	
33	GB872-88	Round nut	M35×1.5	1	
34	GB858-88	Detent ring	35	1	
35	GB70-85	Screw	M6×12	3	

No.	Code	Description	Specifications	Quantity	Remark
36	CJM250-02-017	Back oil seal cover		1	
37	CJM250-02-016	Oil retainer		1	
38	GB297-84	Bearing	7207	1	
39	GB894. 1-86	Spindle elastic collar	35	1	
40	CJM250-02-018	Dual gear		1	
41	GB894. 1-86	Spindle elastic collar	38	1	
42	CJM250-02-036	Dual gear		1	
43	GB297-84	Bearing	7208	1	
44	CJM250-02-037	Oil cover		1	
45	GB70-85	Screw	M6×12	3	
46	CJM250-02-015	Main spindle		1	
47	GB1096-79	Flat key	10×30	1	
48	GB1566-79	Flat key	10×40	1	
49	GB872-88	Round nut	M20×1.5	1	
50	GB858-88	Block ring	20	1	
51	CJM250-02-019	Input pulley		1	
52	GB70-85	Screw	M6×12	3	
53	CJM250-02-021	Bearing seat		1	
54	HG4-692-67	Oil seal	PC25×42×10	1	
55	CJM250-02-020	Isolation ring		1	
56	GB276-89	Bearing	104	1	
57	GB893-86	Hole elastic collar	42	1	
58	GB276-89	Bearing	104	1	
59	GB1160-79	Round oil window	16R51-5A	1	
60	CJM250-02-042	Sliding block		1	
61	GB882-86	Pin	5×14	1	
62	CJM250-02-041	Sliding coat		1	
63	CJM250-02-046	Upper fork plate		1	
64	GB119-86	Pin	10×26	1	
65	GB1096-79	Flat key	6×18	1	
66	CJM250-02-025	Input axle		1	
67	CJM250-02-029	Dual gear		1	
68	GB276-89	Bearing	102	1	
69	CJM250-02-022	Plug		1	
70	CJM250-02-002	Fork support axle		1	
71	CJM250-02-045	Lower fork		1	
72	GB894. 1-86	Spindle elastic collar	15	1	

No.	Code	Description	Specifications	Quantity	Remark
73	GB119-86	Pin	10×26	1	
74	CJM250-02-044	Lower fork plate		1	
75	CJM250-02-041	Sliding coat		1	
76	GB882-86	Pin	5×14	1	
77	CJM250-02-042	Sliding block		1	
78	CJM250-02-058	Fork arm		1	
79	GB879-86	Elastic column pin	3×22	1	
80	JB892-77	Complex washer	10	1	
81	GB5783-2000	Bolt	M10×10	1	
82	CJM250-02-059	Prod block		1	
83	CJM250-02-042	Slide block		1	
84	CJM250-02-057	Fork shaft		1	
85	GB70-85	Screw	M5×8	2	
86	CJM250-02-040	Fork rod		1	
87	CJM250-02-041	Sliding coat		1	
88	CJM250-02-052	Endface curve groove		1	
89	GB882-86	Pin	5×14	1	
90	CJM250-02-039	Nest		1	
91	GB1096-79	Flat key	6×18	1	
92	CJM250-02-053	Shaft sleeve		1	
93	GB819-85	Screw	M4×10	3	
94	GB93-85	Elastic washer	3	1	
95	CJM250-02-054	Handleset support		1	
96	CJM250-02-038	Screw shaft		1	
97	GB819-85	Screw	M5×12	3	
98	CJM250-03-004	Handleset rod		1	
99	CJM250-02-055	Speed plate		1	
100	GB308-77	Steel ball	6	1	
101	GB2089-80	Spring	0.8×6×15	1	
102	GB73-85	Screw	M8×10	1	
103	GB77-85	Screw	M6×10	2	
104	CJM250-02-056	Round handle		1	
105	GB894.1-86	Spindle elastic collar	24	1	
106	CJM250-02-009	Shaft		1	
107	CJM250-02-004	Gear		1	
108	CJM250-02-005	Coat		1	
109	GB894.1-86	Spindle elastic collar	18	1	

No.	Code	Description	Specifications	Quantity	Remark
110	GB896-86	Open gasket	9	1	
111	CJM250-02-014	Gear		1	
112	GB70-85	Screw	M6×12	2	
113	CJM250-02-011	Axle coat		1	
114	HG4-692-67	Oil seal	PC15×24×7	1	
115	CJM250-02-012	Coat		1	
116	GB1096-79	Flate key	4×10	1	
117	CJM250-02-013	Spline shaft		1	
118	CJM250-02-010	Slip gear		1	
119	GB2089-80	Spring	0.8×5×15	1	
120	GB308-77	Steel ball	5	1	
121	CJM250-02-003	Bush		1	
122	GB1155-79	Oil cup	6	1	
123	GB896-86	Open gasket	9	1	
124	GB97-85	Gasket	12	1	
125	CJM250-08-009	Exchange gear		1	
126	CJM250-02-007	Gear		1	
127	CJM250-02-008	Key collet		1	
128	GB1096-79	Flat key	6×18	1	
129	CJM250-02-006	Small axle		1	



床头箱部装

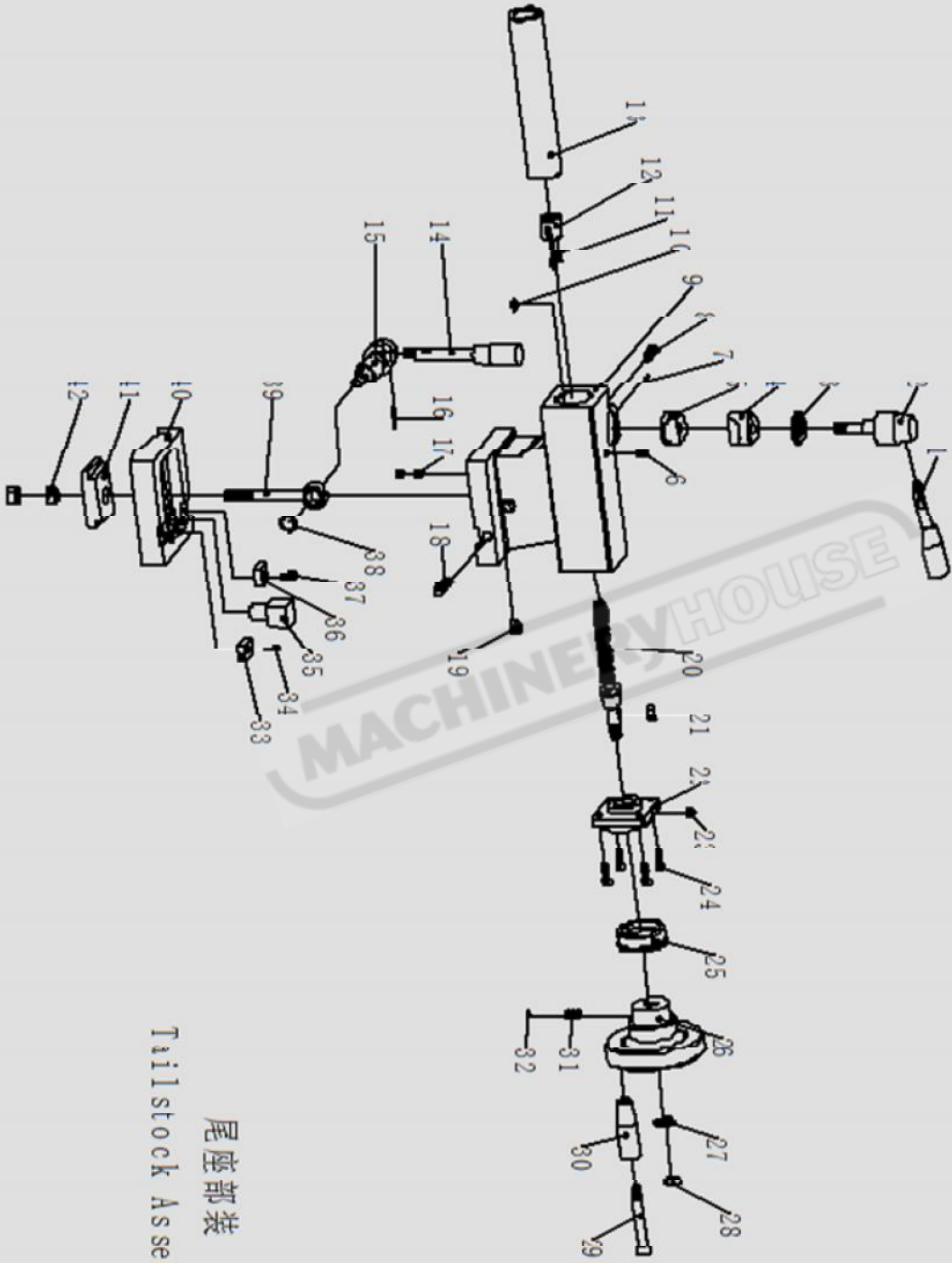
Headstock Assembly

TAILSTOCK ASSEMBLY

No.	Code	Description	Specifications	Quantity	Remark
1	CJM250-03-004	Handle		1	
2	CJM250-03-003	Locking handle		1	
3	CJM250-03-012	Washer		1	
4	CJM250-03-013	Locking collet		1	
5	CJM250-03-014	Locking nut		1	
6	GB/T7940. 4-1995	Oil cup	6	1	
7	GB/T879-2000	Elastic column pin	3×22	1	
8	GB/T77-2000	Screw	M10×35	1	
9	CJM250-03-002	Tailstock		1	
10	J31-3A	T type key	B5×12	1	
11	GB73-85	Screw	M4×12	2	
12	CJM250-03-006	Nut		1	
13	CJM250-03-001	Tailstock sleeve		1	
14	CJM250-03-011	Long handle		1	
15	CJM250-03-016	Eccentric shaft		1	
16	GB/T879-2000	Elastic column pin	3×22	1	
17	GB/T79-2000	Screw	M5×8	2	
18	GB/T77-2000	Screw	M10×35	1	
19	GB/T78-2000	Screw	M10×16	1	
20	CJM250-03-005	Screw		1	
21	GB1096-79	Flat key	4×20	1	
22	CJM250-03-007	Fixation base		1	
23	GB/T7940. 4-1995	Oil cup	6	1	
24	GB70-85	Screw	M5×16	4	
25	CJM250-04-012a	Dial gauge		1	
26	CJM250-03-008	Handwheel		1	
27	GB/T96. 1-2002	Large washer	10	1	
28	GB/T41-2000	Hexagon nut	M10	1	
29	CJM250-03-010	Handle coat		1	
30	CJM250-03-009	Handle rod		1	
31	GB/T2089-1994	Spring	0.5×3×12	1	
32	GB308-77	Steel ball	4	1	
33	CJM250-03-020	Positioning block		1	
34	GB70-85	Screw	M5×10	1	
35	CJM250-03-015	Positioning axle		1	

No.	Code	Description	Specifications	Quantity	Remark
36	CJM250-03-020	Positioning block		1	
37	GB70-85	Screw	M5×10	1	
38	GB/T894. 1-1986	Spindle elastic collar	15	1	
39	CJM250-03-017	Draw bar		1	
40	CJM250-03-018	Tailstock bottomplate		1	
41	CJM250-03-019	Clamp		1	
42	GB/T41-2000	Hexagon nut	M10	2	

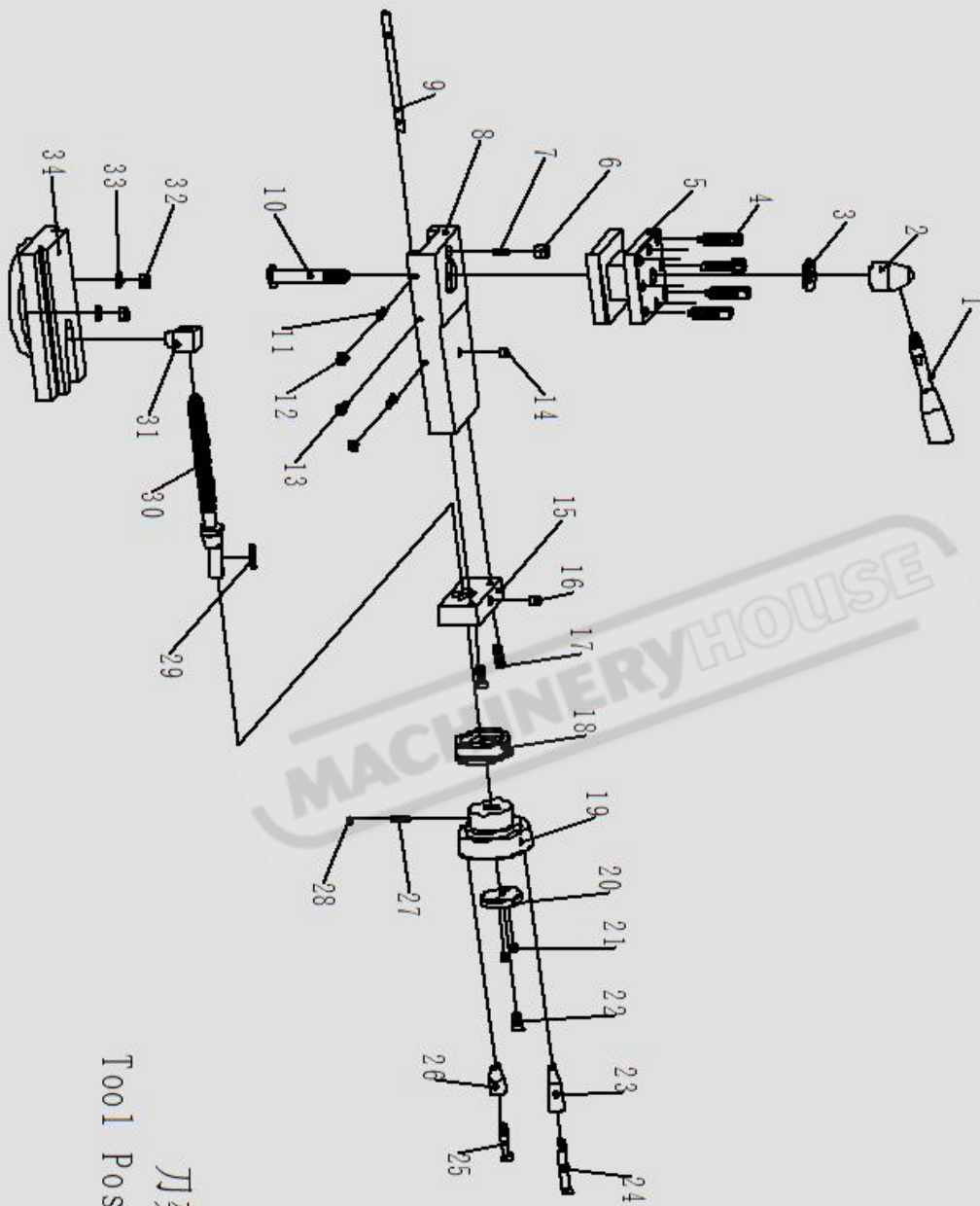
MACHINERYHOUSE



尾座部装
Tailstock Assembly

TOOLPOST ASSEMBLY

No.	Code	Description	Specifications	Quantity	Remark
1	CJM250-03-004	Handle		1	
2	CJM250A-04-008	Handle seat		1	
3	CJM250A-04-006	Wahser		1	
4	GB85-1988	Fixationo screw	M8×30	8	
5	CJM250A-04-005	Tool seat		1	
6	CJM250A-04-004	Positioning pin		1	
7	GB/T2089-1994	Spring	0.8×4×15	1	
8	CJM250A-04-003	Small carriage		1	
9	CJM250A-04-012	Small wedge		1	
10	CJM250A-04-007	T type bolt		1	
11	GB71-1985	Groovetaper end screw	M5X16	2	
12	GB/T41-2000	Hexagon nut	M5	2	
13	GB/T70. 1-2000	Inner hexagon screw	M5X10	1	
14	GB/T7940. 4-1995	Oil cup	6	1	
15	CJM250A-04-011	Support		1	
16	GB/T7940. 4-1995	Oil cup	6	1	
17	GB/T70. 1-2000	Inner hexagon screw	M6×16	2	
18	CJM250-04-012	Dial gauge		1	
19	CJM250-04-013	Dual handle		1	
20	CJM250-04-019	Cushion		1	
21	GB/T77-2000	Inner hexagon screw	M6×6	2	
22	GB/T819-2000	Cruciform sunk screw	M6×16	1	
23	CJM250-04-014	Handle coat		1	
24	CJM250-04-015	Handle rod		1	
25	CJM250-04-021	Handle rod		1	
26	CJM250-04-020	Handle coat		1	
27	GB/T2089-1994	Spring	0.5×3×12	1	
28	GB308-77	Steel ball	4	1	
29	GB1096-79	Flat key	4×20	1	
30	CJM250A-04-010	Small screw		1	
31	CJM250A-04-009	Small nut		1	
32	GB/T41-2000	Hexagon nut	M6	2	
33	GB95-2002	Gasket	6	2	
34	CJM250A-04-001	Sliding base		1	



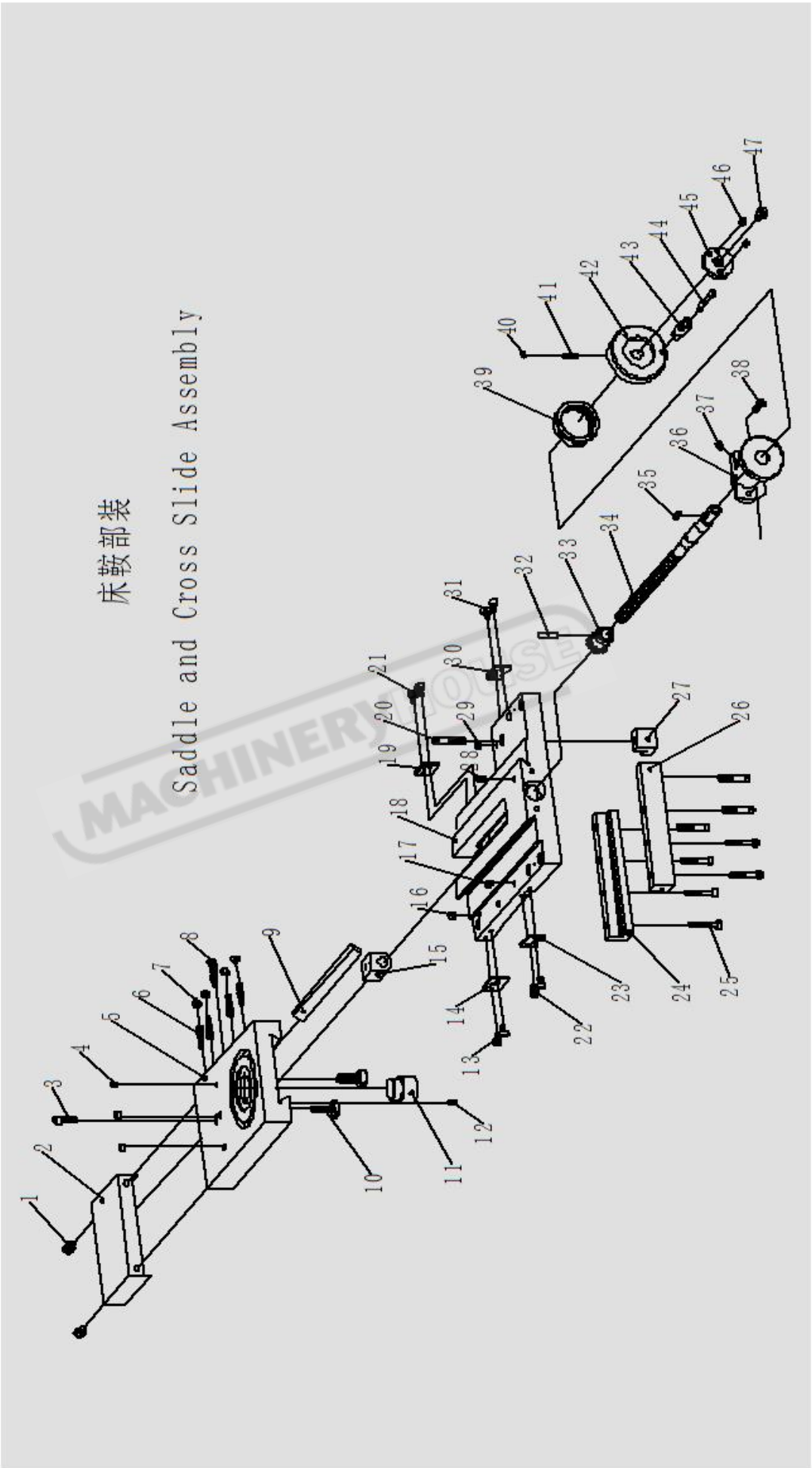
刀架部裝
Tool Post Assembly

SADDLE AND CROSS SLIDE ASSEMBLY

No.	Code	Description	Specifications	Quantity	Remark
1	GB/T818-2000	Cruciform pan head screw	M6X12	2	
2	CJM250A-05-003	Saddle splash guard		1	
3	GB/T70-2000	Inner hexagon screw	M6×20	1	
4	GB/T7940.4-1995	Oil cup	6	3	
5	CJM250A-05-002	Saddle		1	
6	GB71-85	Groove taper end screw	M5×30	4	
7	GB6172-86	Nut	M5	4	
8	GB/T70-2000	Inner hexagon screw	M5×25	1	
9	CJM250A-05-004	Wedge		1	
10	GB37-1988	T type groove bolt	M6×25	2	
11	CJM250A-05-001	Central spindle		1	
12	GB71-85	Groove taper end screw	M5×10	1	
13	GB818-85	Cruciform pan head screw	M5×8	2	
14	CJM250-05-016	Back scrapper		1	
15	CJM250-05-009	Nut		1	
16	GB/T7940.4-1995	Oil cup	6	1	
17	GB/T7940.4-1995	Oil cup	6	1	
18	CJM250-05-012	Apron		1	
19	CJM250-05-016	Back scrapper		1	
20	GB/T70-2000	Inner hexagon screw	M5×35	1	
21	GB818-85	Cruciform pan head screw	M5×8	2	
22	GB818-85	Cruciform pan head screw	M5×8	2	
23	CJM250-05-014	Front left scrapper		1	
24	CJM250-05-013	Clamp		1	
25	GB/T70-2000	Inner hexagon screw	M5×30	8	
26	CJM250-05-013	Clamp		1	
27	CJM250-05-018	Locking block		1	
28	GB/T7940.4-1995	Oil cup	6	1	
29	GB/T7940.4-1995	Oil cup	6	1	
30	CJM250-05-015	Front right scrapper		1	
31	GB818-85	Cruciform pan head screw	M5×8	2	
32	GB/T879-2000	Elastic column pin	4×20	1	
33	CJM250-05-007	Gear		1	
34	CJM250-05-006	Cross leadscrew		1	
35	GB1096-79	Flat key	4×20	1	

No.	Code	Description	Specifications	Quantity	Remark
36	CJM250-05-005	Leadscrew base		1	
37	GB/T7940.4-1995	Oil cup	6	1	
38	GB/T70-2000	Inner hexagon screw	M5×20	2	
39	CJM250-05-004a	Dial gauge		1	
40	GB308-77	Steel ball	4	1	
41	GB/T2089-1994	Spring	0.5×3×12	1	
42	CJM250-05-003	Handwheel		1	
43	CJM250-04-001	Handle coat		1	
44	CJM250-04-002	Handle rod		1	
45	CJM250-04-019	Cushion		1	
46	GB/T77-2000	Inner hexagon screw	M6×6	2	
47	GB/T819-2000	Cruciform sunk screw	M6×16	1	

MACHINERYHOUSE



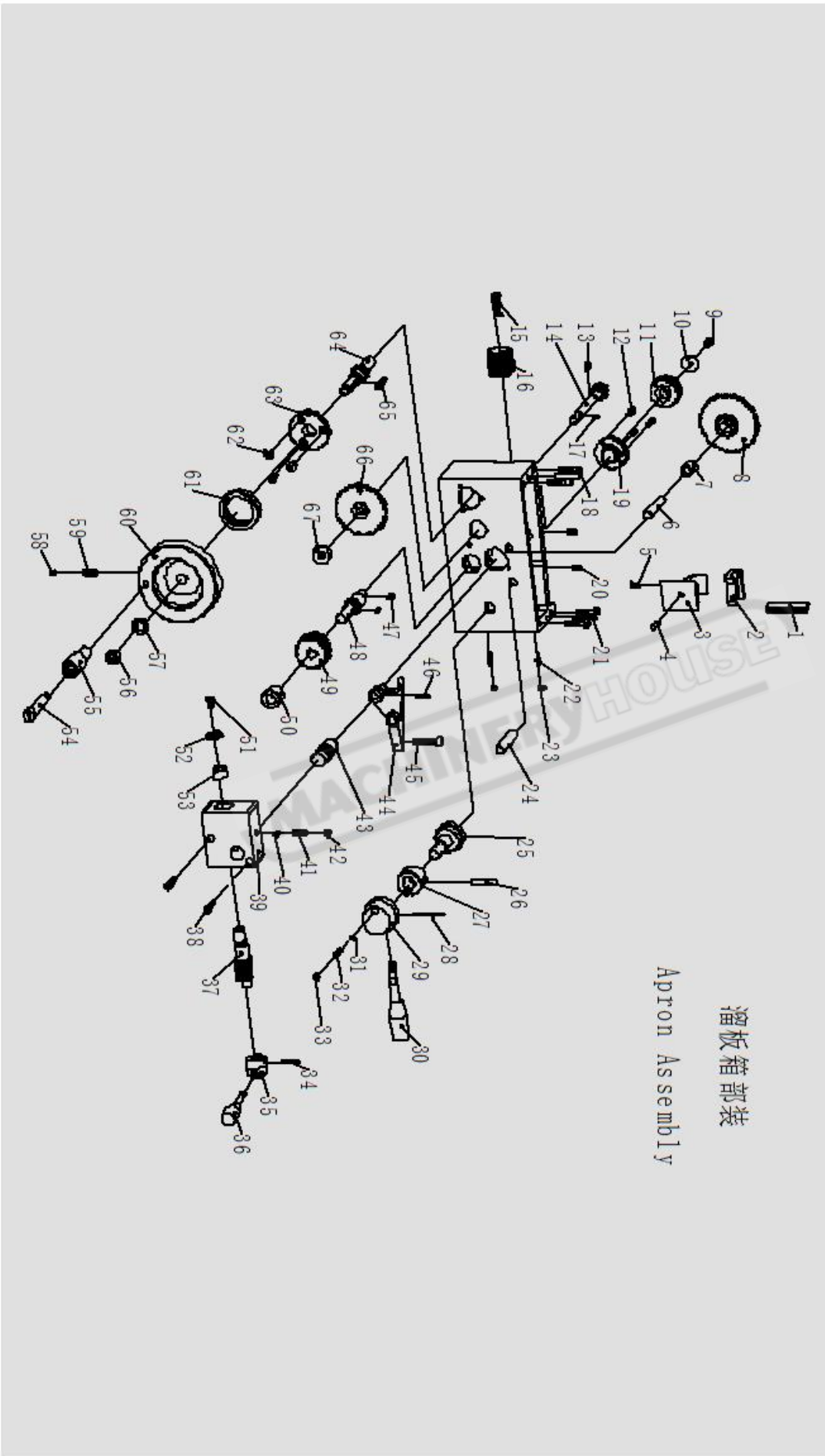
床鞍部装

Saddle and Cross Slide Assembly

APRON ASSEMBLY

No.	Code	Description	Specifications	Quantity	Remark
1	CJM250-06-001	Wedge		1	
2	CJM250-06-023	Half nut		1	
3	CJM250-06-024	Half nut seat		1	
4	GB119-86	Column pin	6×14	1	
5	GB/T819-2000	Screw	M4×10	1	
6	CJM250-06-028	Axle		1	
7	CJM250-06-016	Coat		1	
8	CJM250-06-015	Spline gear		1	
9	GB/T819-2000	Screw	M5×10	1	
10	CJM250-06-022	Gasket		1	
11	CJM250-06-025	Worm		1	
12	GB/T70-2000	Screw	M4×12	3	
13	GB/T79-2000	Screw	M6×8	1	
14	CJM250-06-013	Gear shaft		1	
15	CJM250-06-027	Key		1	
16	CJM250-06-026	Worm screw		1	
17	GB1096-79	Flat key	4×8	1	
18	GB/T70-2000	Screw	M6×25	4	
19	CJM250-06-019	Worm seat		1	
20	GB/T71-2000	Screw	M5×20	2	
21	GB117-86	Taper pin	4×30	2	
22	GB/T79-2000	Screw	M4×14	2	
23	GB6170-86	Nut	M4	2	
24	CJM250-06-028	Axle		1	
25	CJM250-06-003	Detaching axle		1	
26	GB/T879-2000	Elastic column pin	4×30	1	
27	CJM250-06-002	Limitation coat		1	
28	GB/T879-2000	Elastic column pin	4×40	1	
29	CJM250-06-004	Detaching handleseat		1	
30	CJM250-03-004	Handle		1	
31	GB308-77	Steel ball	6	1	
32	GB/T2089-1994	Spring	0.8×5×15	1	
33	GB/T73-2000	Screw	M8×8	1	
34	GB/T879-2000	Elastic column pin	3×24	1	
35	CJM250-06-021	Handle seat		1	

No.	Code	Description	Specifications	Quantity	Remark
36	CJM250-06-0	Handle		1	
37	CJM250-06-017	Gear axle		1	
38	GB/T70-2000	Screw	M5×25	2	
39	CJM250-06-020	Fork axle seat		1	
40	GB308-77	Steel ball	6	1	
41	GB/T2089-1994	Spring	0.8×5×15	1	
42	GB/T73-2000	Screw	M8×8	1	
43	CJM250-06-007	Rack shaft		1	
44	CJM250-06-029	Fork		1	
45	CJM250-06-030	Limitation rod		1	
46	GB/T879-2000	Elastic column pin	3×16	1	
47	GB1096-79	Flat key	4×12	2	
48	CJM250-06-005	Axle		1	
49	CJM250-06-018	Gear		1	
50	CJM250-06-006	Coat		1	
51	GB/T819-2000	Screw	M5×10	1	
52	CJM250-06-022	Gasket		1	
53	CJM250A-06-001	Coat		1	
54	CJM250-03-009	Handle rod		1	
55	CJM250-03-010	Handle coat		1	
56	GB6170-86	Nut	M10	1	
57	GB/T96.1-2002	Big gasket	10	1	
58	GB308-77	Steel ball	4	1	
59	GB/T2089-1994	Spring	0.5×3×12	1	
60	CJM250-06-031	Handlewheel		1	
61	CJM250-06-009a	Dial gauge		1	
62	GB819-86	Cruciform countersunk head screw	M5×10	3	
63	CJM250-06-010	Coat		1	
64	CJM250-06-008	Gear axle		1	
65	GB1096-79	Flat key	4×30	1	
66	CJM250-06-012	Gear		1	
67	CJM250-06-014	Coat		1	



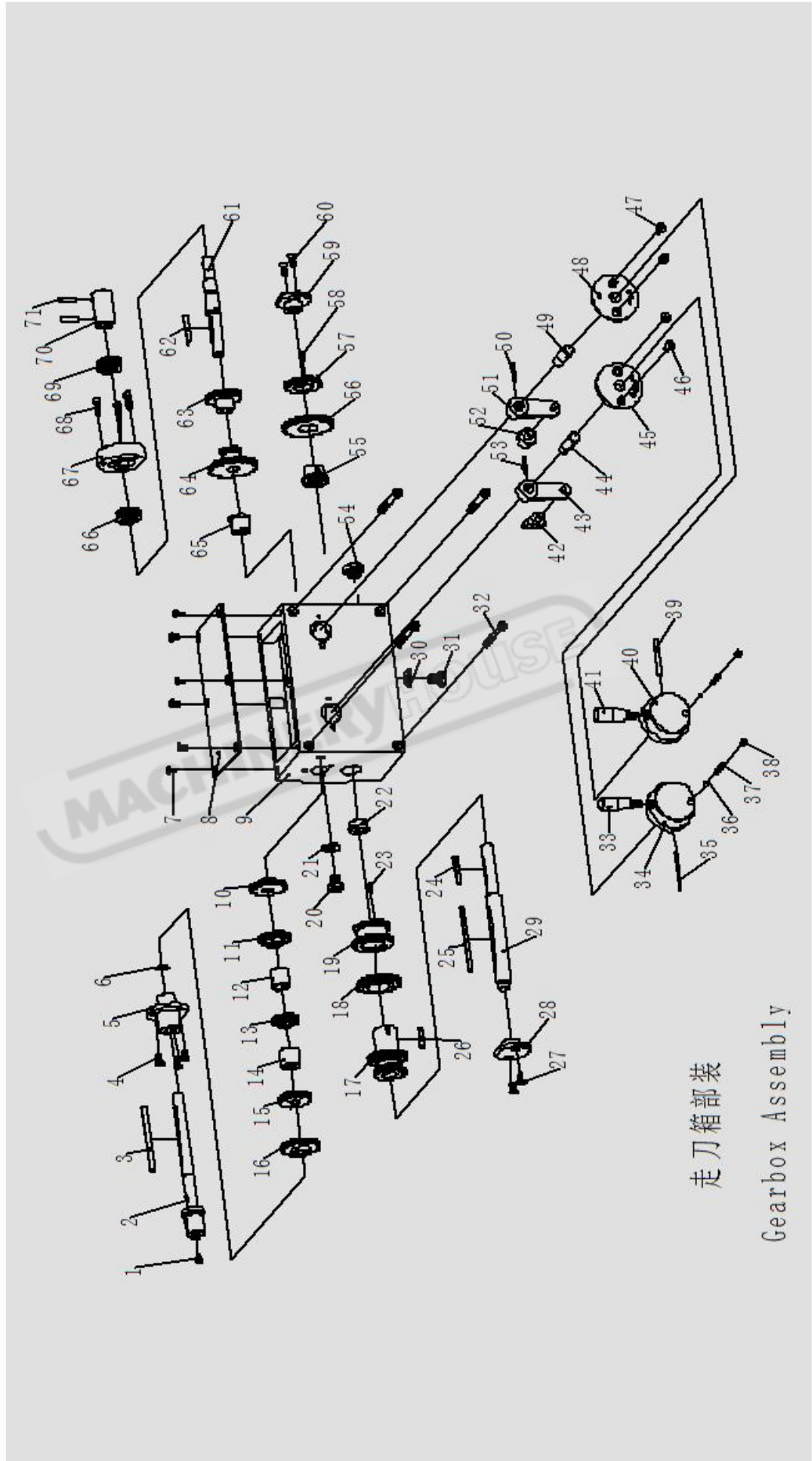
溜板箱部装

Apron Assembly

GEAR BOX ASSEMBLY

No.	Code	Description	Specifications	Quantity	Remark
1	GB/T7940.4-1995	Oil cup	6	1	
2	CJM250-07-001	Input axle		1	
3	GB1096-79	Flat key	4×80	1	
4	GB/T819-2000	Screw	M5×12	3	
5	CJM250-07-002	Supporting coat		1	
6	GB894.1-86	Axle elastic collar	12	1	
7	GB/T819-2000	Screw	M4×8	6	
8	CJM250-07-030	Cover		1	
9	CJM250-07-009	Gear box body		1	
10	CJM250-07-014	Gear		1	
11	CJM250-07-013	Gear		1	
12	CJM250-07-006	Spacer bush		1	
13	CJM250-07-007	Gear		1	
14	CJM250-07-006	Spacer bush		1	
15	CJM250-07-004	Gear		1	
16	CJM250-07-003	Gear		1	
17	CJM250-07-010	Gear shaft sleeve		1	
18	CJM250-07-011	Gear		1	
19	CJM250-07-012	Dual gear		1	
20	GB5783-2000	Bolt	M10×10	1	
21	JB892-77	complex gasket	10	1	
22	CJM250-07-015	Sleeve		1	
23	GB/T73-2000	Screw	M4×10	1	
24	GB1096-79	Flat key	4×36	1	
25	GB1096-79	Flat key	5×80	1	
26	GB1096-79	Flat key	5×25	1	
27	GB/T819-2000	Screw	M5×12	2	
28	CJM250-07-005	Left cover coat		1	
29	CJM250-07-008	Axle		1	
30	JB892-77	Complex gasket	10	1	
31	GB5783-2000	Bolt	M10×10	1	
32	GB70-85	Screw	M6×100	4	
33	CJM250-07-032	Handle		1	
34	CJM250-07-029	Handle seat		1	
35	GB879-86	Elastic columnpin	4×45	1	

No.	Code	Description	Specifications	Quantity	Remark
36	GB308-77	Steel ball	6	2	
37	GB/T2089-1994	Spring	0.8×5×15	2	
38	GB/T73-2000	Screw	M8×8	2	
39	GB879-86	Elastic columnpin	4×45	1	
40	CJM250-07-029	Handle seat		1	
41	CJM250-07-032	Handle		1	
42	CJM250-07-025	Left fork		1	
43	CJM250-07-027	Fork arm		1	
44	CJM250-07-028	Fork shaft		1	
45	CJM250-07-030	Left positioning coat		1	
46	GB/T819-2000	Screw	M5×12	2	
47	GB/T819-2000	Screw	M5×12	2	
48	CJM250-07-030	Right positioning coat		1	
49	CJM250-07-028	Fork shaft		1	
50	GB879-86	Elastic column pin	3×22	1	
51	CJM250-07-027	Fork arm		1	
52	CJM250-07-026	Right fork		1	
53	GB879-86	Elastic column pin	3×22	1	
54	GB1160-79	Round oil window	16R51-5A	1	
55	CJM250-07-016	Gear		1	
56	CJM250-07-017	Gear		1	
57	CJM250-07-018	Gear		1	
58	GB/T73-2000	Screw	M4×10	1	
59	CJM250-07-005	Right cover coat		1	
60	GB/T819-2000	Screw	M5×12	2	
61	CJM250-07-021	Output axle		1	
62	GB1096-79	Flat key	4×36	1	
63	CJM250-07-022	Gear		1	
64	CJM250-07-020	Dual gear		1	
65	CJM250-07-019	Sleeve		1	
66	GB/T301-1995	Thrust Ball Bearing	81102	1	
67	CJM250-07-023	Bearing seat		1	
68	GB70-85	Screw	M5×16	2	
69	GB/T301-1995	Thrust Ball Bearing	81102	1	
70	CJM250-07-024	Coupling band		1	
71	GB117-79	Taper pin	3×22	2	



走刀箱部装

Gearbox Assembly

COMPOUND BOX

No.	Code	Description	Specifications	Quantity	Remark
1	CJM250-08-001	Compound box body		1	
2	CJM250-08-002	Compound box cover		1	
3	GB879-86	Elastic column pin	3×18	1	
4	GB70-85	Screw	M5×12	5	
5	GB4141-79	Star handle	8×32	1	A Type
6	CJM320B-08-014	Fixation coat		1	Borrowing
7	GB6170-86	Nut	M14	1	
8	CJM320B-08-016	Axle		1	Borrowing
9	GB896-86	Split damping ring	6	1	
10	CJM320B-08-015	Door knob		1	Borrowing
11	GB879-86	Elastic column pin	3×18	1	
12	GB1096-79	Flat key	6×18	1	
13	GB6170-86	Nut	M8	1	
14	CJM250-08-005	Change gear bracket		1	
15	CJM250-08-006	Axle		1	
16	GB1096-79	Flat key	6×18	1	
17	CJM250-02-008	Key coat		1	
18	CJM250-08-009	Exchange gear		1	
19	CJM250-08-008	Washer		1	
20	GB97-85	Washer	12	1	
21	GB896-86	Open washer	9	1	
22	GB/T7940.4-1995	Oil cup	6	1	
23	GB896-86	Open washer	9	1	
24	GB97-85	Washer	12	1	
25	CJM250-08-008	Washer		1	
26	CJM250-08-009	Exchange gear		1	
27	GB5781-2000	Bolt	M8×30	1	
28	GB96-85	Big gasket		1	
29	CJM250-08-007	Gasket		1	
30	CJM250-07-001	Input axle		1	

