

SPARE PARTS SECTION

BELT LINISHER SANDER

Models

BS-76 & BS-152

Order Code L119, Order Code L120

Edition No : BS-76, 152-1

Date of Issue : 07/2021

The following section covers the spare parts diagrams and lists that were current at the time this manual was originally printed. Due to continuous improvements of the machine, changes may be made at any time without notification.

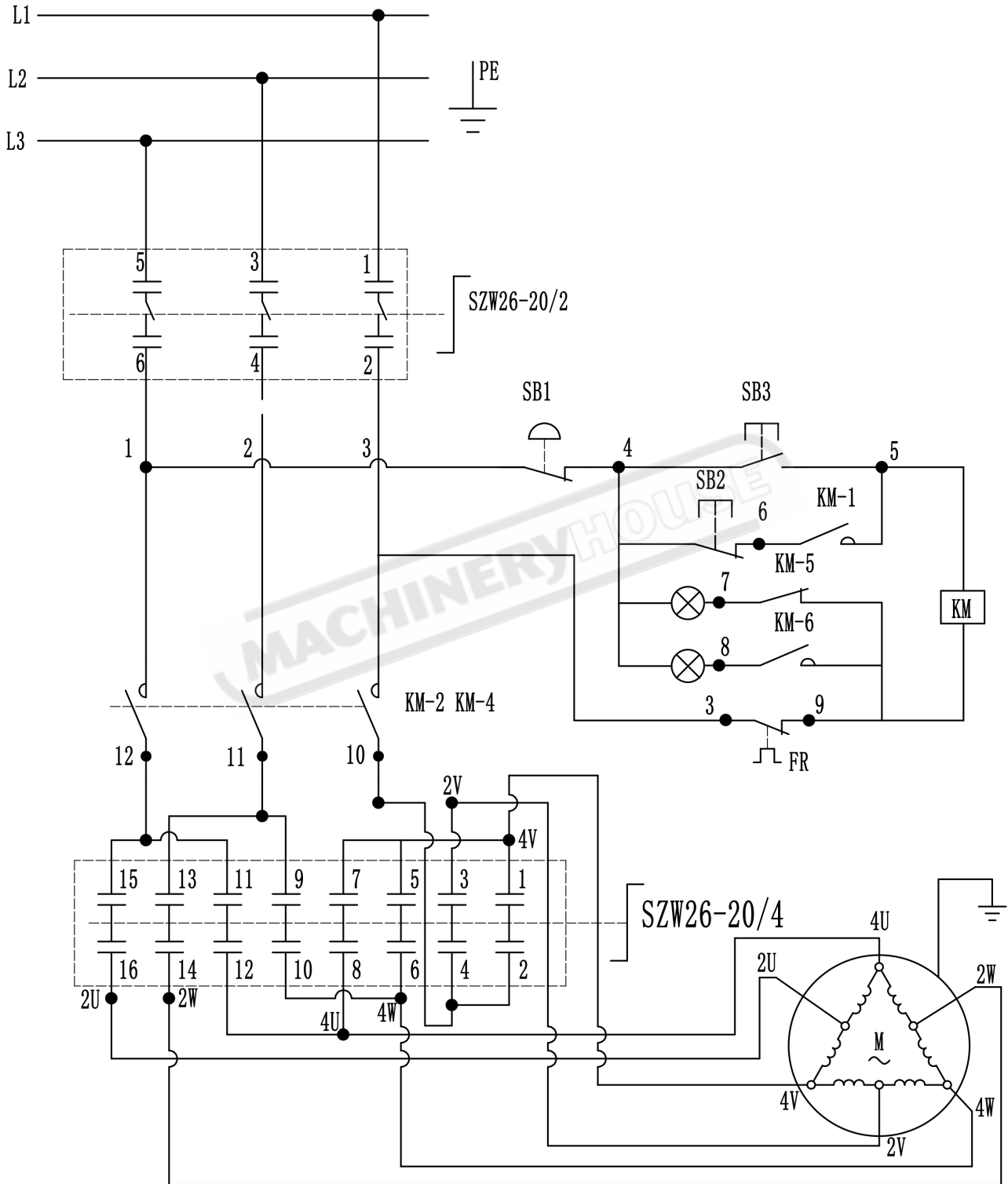
HOW TO ORDER SPARE PARTS

1. Have your machines **model number, serial number & date of manufacture** on hand, these can be found on the specification plate mounted on the machine
2. A scanned copy of your parts list/diagram with required spare part/s identified
3. Go to www.machineryhouse.com.au/contactus and fill out the inquiry form attaching a copy of scanned parts list.

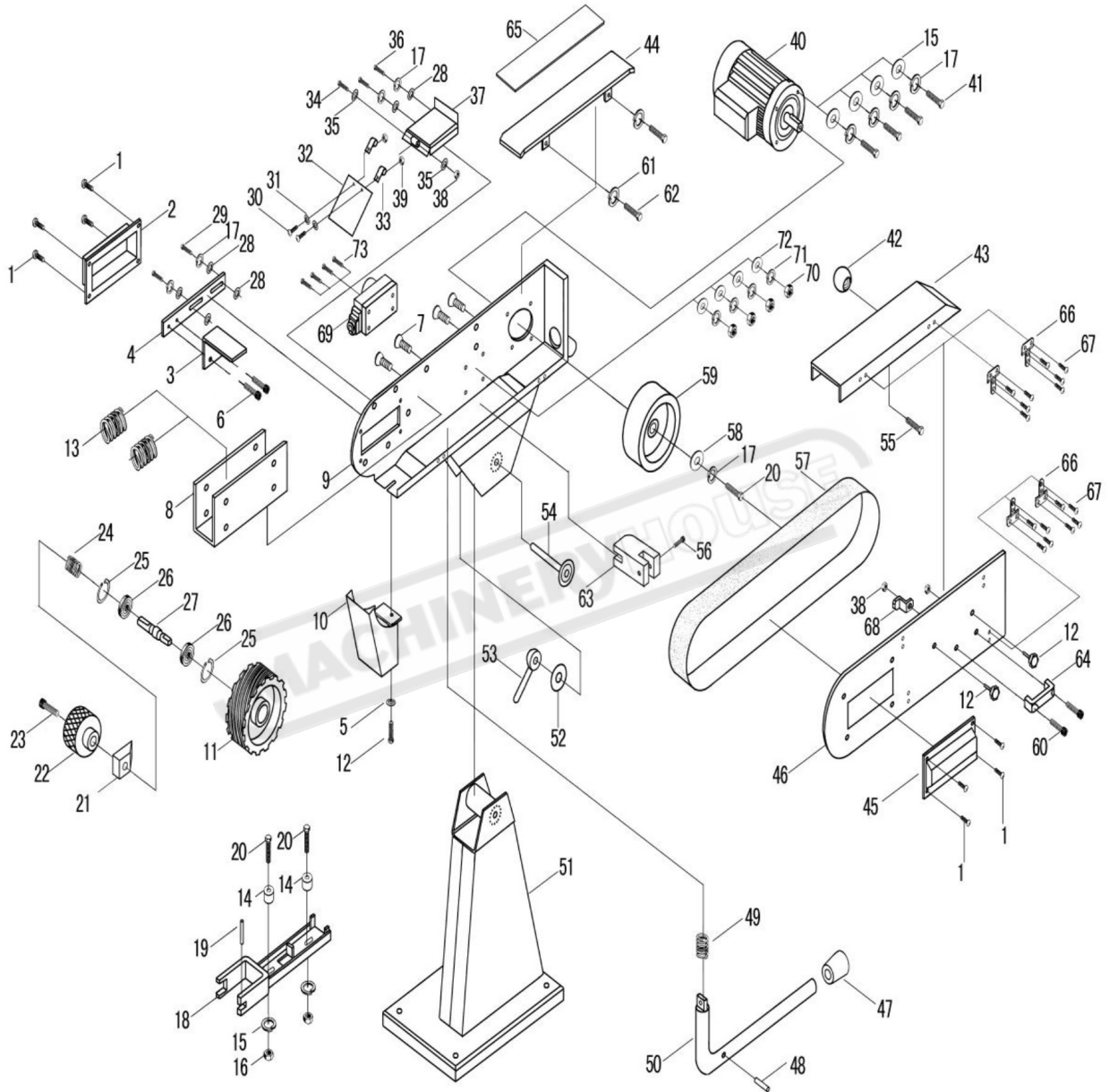
CONTENTS

Wiring Diagram.....	20
BS-76 Spare Parts Diagram.....	21
BS-76 Spare Parts List.....	22
BS-152 Spare Parts Diagram.....	23
BS-152 Spare Parts List.....	24

WIRING DIAGAM FOR BS-76 & BS-152



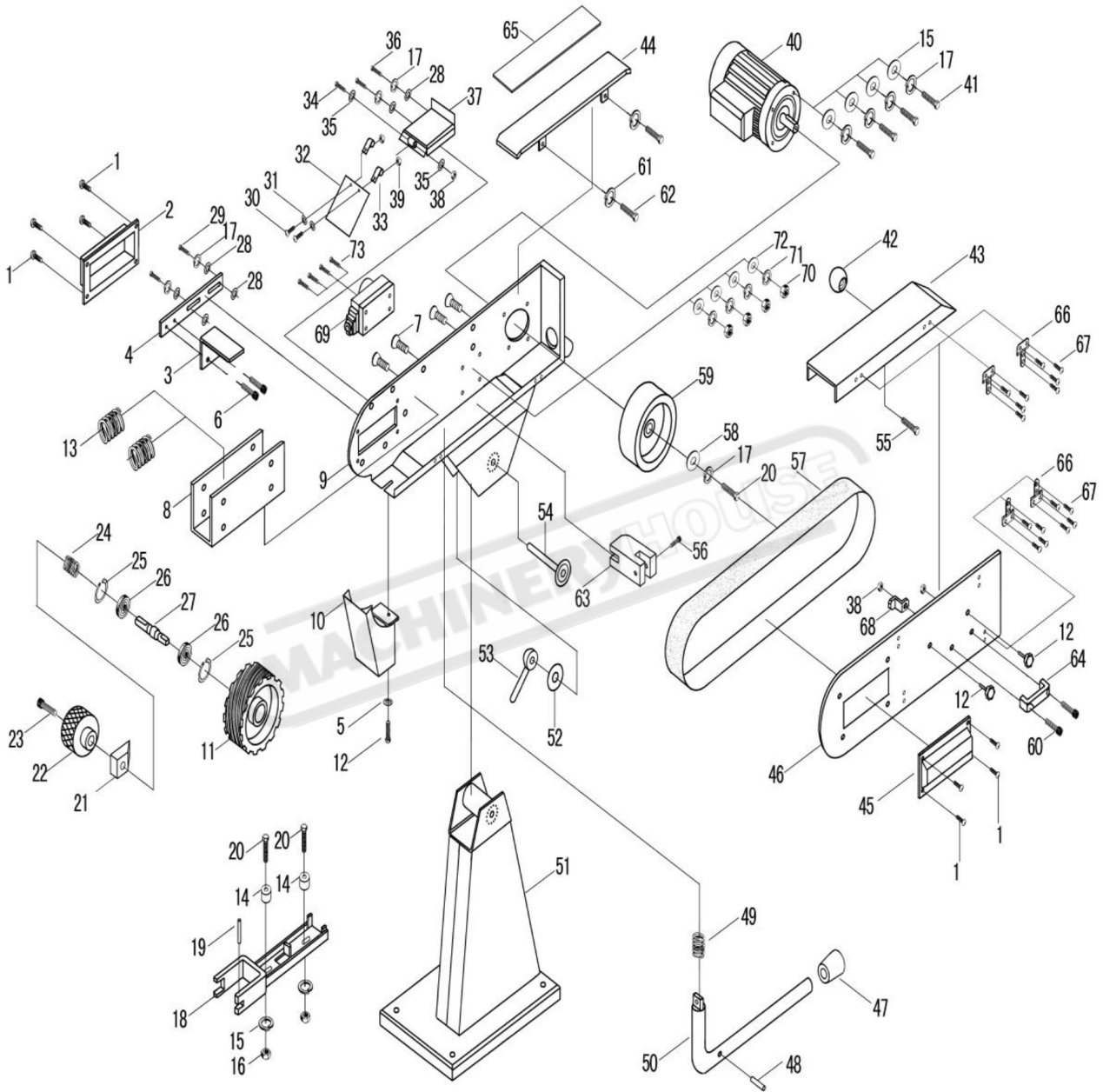
BS-76 PARTS DIAGRAM



BS-152 PARTS LIST

ITEM	DESCRIPTION	QTY.	ITEM	DESCRIPTION	QTY.
1	CUP HEAD SCREW M4X6	8	38	SELF-LOCKINGNUTM6	2
2	LEFT COVER	1	39	NUT M4	2
3	WORK TABLE	1	40	MOTOR	1
4	FIXATION BOARD OF WORK TABLE	1	41	BOLT M8X25	4
5	FLAT ASHER Ø8	1	42	HAND BALL	1
6	HEX COUNTERSUNK SCREW M8X10	2	43	SAFETY COVER	1
7	HEX COUNTERSUNK SCREW M8X16	4	44	TOP TABLE	1
8	U-SUPPORT	1	45	RIGHT COVER	1
9	BODY	1	46	SIDE FENCE	1
10	DUST RECEIVER	1	47	PROPECT TUBE	1
11	DRIVEN WHEEL	1	48	PIN 3X20	1
12	STAR GRIP SCREW	3	49	SPRING	1
13	SPRING	2	50	HAND BAR	1
14	FLAT WASHERØ8	2	51	BASE	1
15	FLAT FASHER Ø8	6	52	WASHER	1
16	SELF-LOCKING NUT M8	2	53	LOCK KNOB	1
17	NUT M8	2	54	LOCK SHAFT	1
18	DRIVEN WHEEL GUIDE	1	55	SCREW 6X16	1
19	COLUMNAR PINØ6X50	1	56	HEX HEAD SCREW M5X20	1
20	BOLT M8X25	4	57	SAND BELT	1
21	SHAFT BLOCK	1	58	BIG WASHER Ø32	1
22	HAND WHEEL	1	59	DRIVE WHEEL	1
23	HEX SOCKET HD SCREW M6X30	1	60	CUP HEAD SCREW M8X20	2
24	SPRING	1	61	ELASTIC WASHER Ø8	2
25	RETAINING RING Ø47	2	62	BOLT M8X12	2
26	BEARING 204	2	63	HAND BAR CONNECTING BLOCK	1
27	DRIVEN WHEEL SHAFT	1	64	HANDLE	1
28	FLAT WASHER Ø8	5	65	BLACK COVER PLATE	1
29	BOLT M8X25	2	66	HINGE	4
30	CUP HEAD SCREW M4X10	2	67	CUP HEAD SCREW M4X6	16
31	FLAT WASHER Ø4	2	68	SPRING PLATE	1
32	PERSPEX PLATE	1	69	SWITCH	1
33	COLLECTING BOARD	2	70	NUT M4	4
34	CUP HEAD SCREW M6X50	1	71	WASHERØ4	4
35	FLAT WASHER Ø6	2	72	ELASTIC WASHER Ø4	4
36	BOLT M8X12	2	73	SCREW	4
37	FENCE EXTENSIONS	1			

BS-152 PARTS DIAGRAM



BS-152 PARTS LIST

ITEM	DESCRIPTION	QTY.	ITEM	DESCRIPTION	QTY.
1	CUP HEAD SCREW M4X6	8	38	SELF-LOCKINGNUTM6	2
2	LEFT COVER	1	39	NUT M4	2
3	WORK TABLE	1	40	MOTOR	1
4	FIXATION BOARD OF WORK TABLE	1	41	BOLT M8X25	4
5	FLAT ASHER Ø8	1	42	HAND BALL	1
6	HEX COUNTERSUNK SCREW M8X10	2	43	SAFETY COVER	1
7	HEX COUNTERSUNK SCREW M8X16	4	44	TOP TABLE	1
8	U-SUPPORT	1	45	RIGHT COVER	1
9	BODY	1	46	SIDE FENCE	1
10	DUST RECEIVER	1	47	PROPECT TUBE	1
11	DRIVEN WHEEL	1	48	PIN 3X20	1
12	STAR GRIP SCREW	3	49	SPRING	1
13	SPRING	2	50	HAND BAR	1
14	FLAT WASHERØ8	2	51	BASE	1
15	FLAT FASTNER WASHER Ø8	6	52	WASHER	1
16	SELF-LOCKING NUT M8	2	53	LOCK KNOB	1
17	NUT M8	2	54	LOCK SHAFT	1
18	DRIVEN WHEEL GUIDE	1	55	SCREW 6X16	1
19	COLUMNAR PINØ6X50	1	56	HEX HEAD SCREW M5X20	1
20	BOLT M8X25	4	57	SAND BELT	1
21	SHAFT BLOCK	1	58	BIG WASHER Ø32	
22	HAND WHEEL	1	59	DRIVE WHEEL	1
23	HEX SOCKET HD SCREW M6X30	1	60	CUP HEAD SCREW M8X20	2
24	SPRING	1	61	ELASTIC WASHER Ø8	2
25	RETAINING RING Ø47	2	62	BOLT M8X12	2
26	BEARING 204	2	63	HAND BAR CONNECTING BLOCK	1
27	DRIVEN WHEEL SHAFT	1	64	HANDLE	1
28	FLAT WASHER Ø8	5	65	BLACK COVER PLATE	1
29	BOLT M8X25	2	66	HINGE	4
30	CUP HEAD SCREW M4X10	2	67	CUP HEAD SCREW M4X6	16
31	FLAT WASHER Ø4	2	68	SPRING PLATE	1
32	PERSPEX PLATE	1	69	SWITCH	1
33	COLLECTING BOARD	2	70	NUT M4	4
34	CUP HEAD SCREW M6X50	1	71	WASHERØ4	4
35	FLAT WASHER Ø6	2	72	ELASTIC WASHER Ø4	4
36	BOLT M8X12	2	73	SCREW	4
37	FENCE EXTENSIONS	1			