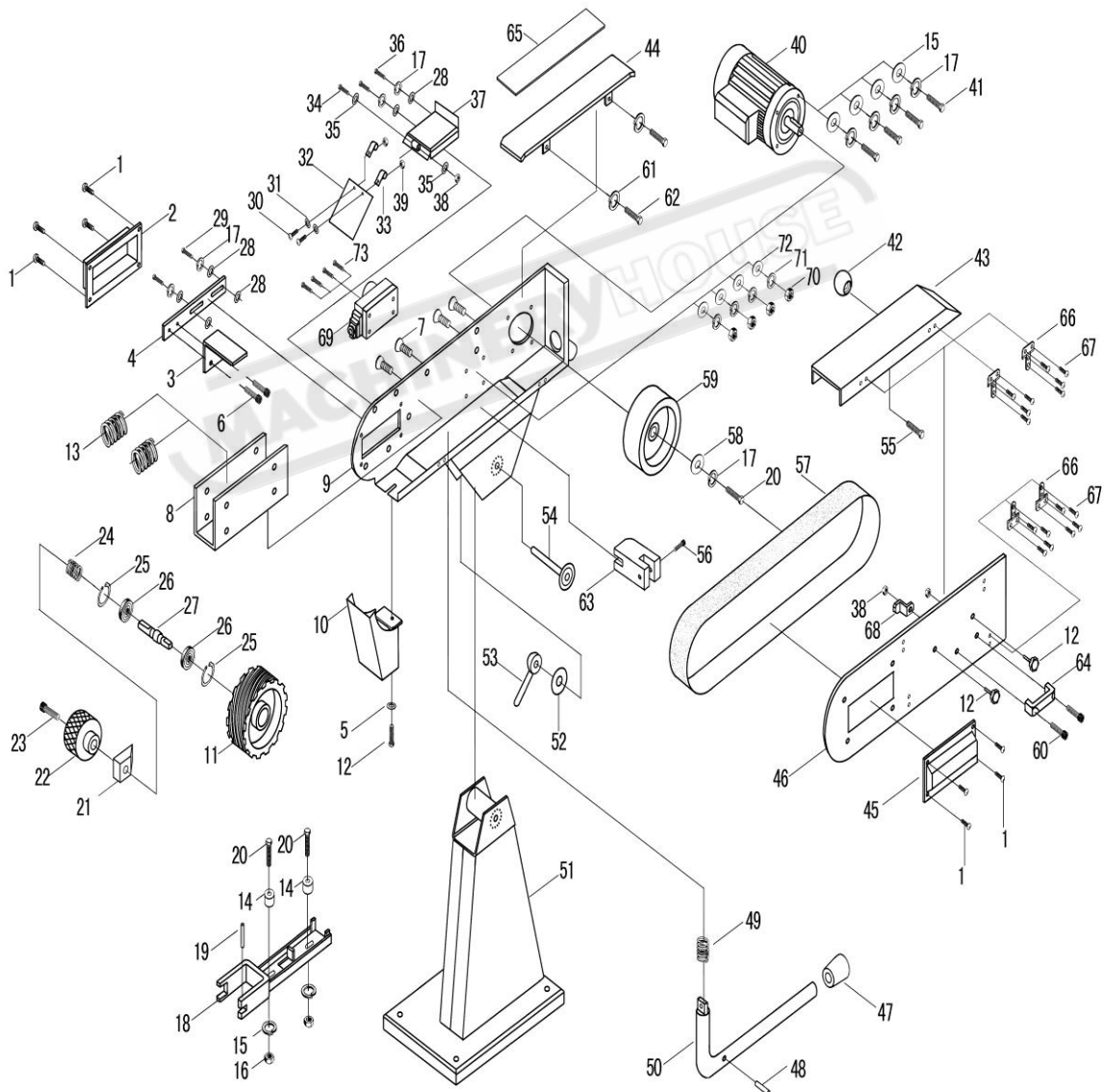


| Electrical Part Lists for JSG75A | | | | | | |
|----------------------------------|------|----------------|----------|----------------------|----------------------------------|----------|
| No. | Code | Part | Type | Specification | Manufacturer | Approval |
| 1 | | Cable | H07RN-F | 4*1.5mm ² | HELUKABEL | TUV |
| 2 | | Metric bushing | HSK-Flex | PG9 M16X1.5 | HUMMEL | VDE |
| 3 | | Internal wire | AVLV8 | | Wuxi Baiyun Wire&Cable Co., Ltd. | UL |

3 Part list (Mechanical)



For JSG75A

Part list

| PART NO. | DESCRIPTION | QTY | REMARKS | PART NO. | DESCRIPTION | QTY | REMARKS |
|----------|---|-----|---------|----------|------------------------------|-----|---------|
| 1 | CUP HEAD SCREW M4X6 | 8 | | 31 | FLAT WASHER Φ 4 | 2 | |
| 2 | LEFT COVER | 1 | | 32 | PERSPECTIVE PLATE | 1 | |
| 3 | WORK TABLE | 1 | | 33 | COLLECTING BOARD | 2 | |
| 4 | FIXATION BOARD OF WORK TABLE | 1 | | 34 | CUP HEAD SCREW M6X50 | 1 | |
| 5 | FLAT ASHER Φ 8 | 1 | | 35 | FLAT WASHER Φ 6 | 2 | |
| 6 | HEXAGONSOCKET COUNTERSUNK HEAD SCREW 8*10 | 2 | | 36 | BOLT M8X12 | 2 | |
| 7 | HEXAGONSOCKET COUNTERSUNK HEAD SCREW 8*16 | 4 | | 37 | FENCE EXTENSIONS | 1 | |
| 8 | U-SUPPORT | 1 | | 38 | SELF-LOCKINGNUTM6 | 2 | |
| 9 | BODY | 1 | | 39 | NUT M4 | 2 | |
| 10 | DUST RECEIVER | 1 | | 40 | MOTOR | 1 | |
| 11 | DRIVEN WHEEL | 1 | | 41 | BOLT M8X25 | 4 | |
| 12 | STAR GRIP SCREW | 3 | | 42 | HAND BALL | 1 | |
| 13 | SPRING | 2 | | 43 | SAFETY COVER | 1 | |
| 14 | FLAT WASHER Φ 8 | 2 | | 44 | TOP TABLE | 1 | |
| 15 | FLAT FASHER Φ 8 | 6 | | 45 | RIGHT COVER | 1 | |
| 16 | SELF-LOCKING NUT M8 | 2 | | 46 | SIDE FENCE | 1 | |
| 17 | NUT M8 | 2 | | 47 | PROPECT TUBE | 1 | |
| 18 | DRIVEN WHEEL GUIDE | 1 | | 48 | PIN 3X20 | 1 | |
| 19 | COLUMNAR PIN Φ 6X50 | 1 | | 49 | SPRING | 1 | |
| 20 | BOLT M8X25 | 4 | | 50 | HAND BAR | 1 | |
| 21 | SHAFT BLOCK | 1 | | 51 | BASE | 1 | |
| 22 | HAND WHEEL | 1 | | 52 | WASHER | 1 | |
| 23 | HEXAGONAL SOCKET SCREW M6X30 | 1 | | 53 | LOCK KNOB | 1 | |
| 24 | SPRING | 1 | | 54 | LOCK SHAFT | 1 | |
| 25 | RETAINING RING Φ 47 | 2 | | 55 | SCREW 6X16 | 1 | |
| 26 | BEARING 204 | 2 | | 56 | HEXAGONAL SOCKET SCREW M5X20 | 1 | |
| 27 | DRIVEN WHEEL SHAFT | 1 | | 57 | SAND BELT | 1 | |
| 28 | FLAT WASHER Φ 8 | 5 | | 58 | BIG WASHER Φ 32 | 1 | |
| 29 | BOLT M8X25 | 2 | | 59 | DRIVE WHEEL | 1 | |
| 30 | CUP HEAD SCREW M4X10 | 2 | | 60 | CUP HEAD SCREW M8X20 | 2 | |

| PART NO. | DESCRIPTION | QTY | REMARKS | PART NO. | DESCRIPTION | QTY | REMARKS |
|----------|-------------------------|-----|---------|----------|-------------------------|-----|---------|
| 61 | ELASTIC WASHER Φ 8 | 2 | | 70 | NUT M4 | 4 | |
| 62 | BOLT M8X12 | 2 | | 71 | WASHER Φ 4 | 4 | |
| 63 | HAND BAR COLLECTING ROD | 1 | | 72 | ELASTIC WASHER Φ 4 | 4 | |
| 64 | HANDLE | 1 | | 73 | SCREW | 4 | |
| 65 | BLACK LEAD PLATE | 1 | | | | | |
| 66 | HINGE | 4 | | | | | |
| 67 | CUP HEAD SCREW M4X6 | 16 | | | | | |
| 68 | SPRING PLATE | 1 | | | | | |
| 69 | SWITCH | 1 | | | | | |

MACHINERYHOUSE