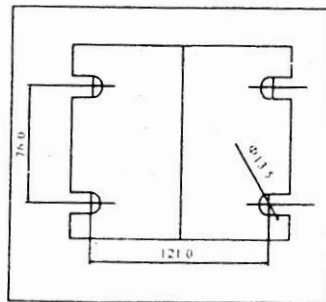
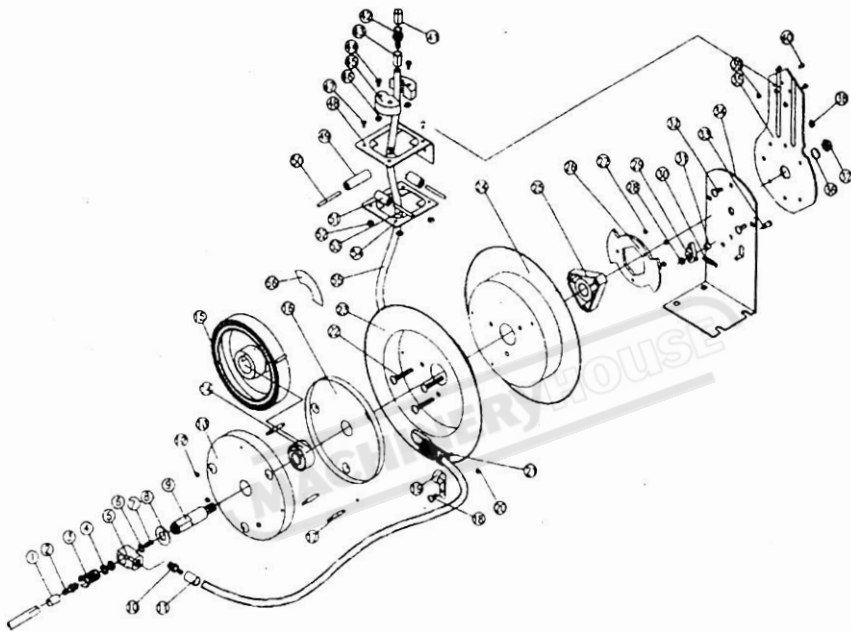


## Parts List

Part No.	Description	Qty.	Part No.	Description	Qty.
1	Copper Hose Fastener	1	29	Locking Cam	1
2	Thread	1	30	Spring	1
3	Valve Core	1	31	Cover	2
4	O-ring	2	32	Screw	4
5	Valve	1	33	Jam Nut	1
6	Wash D=20	1	34	Base	1
7	Bolt M <sub>10</sub> x30	1	35	Support Arm	1
8	Washer	1	36	Washer	1
9	Axle	1	37	Nut	1
10	Thread	1	38	Nut	4
11	Copper Hose Fastener	1	39	Nut	3
12	Nut	1	40	Screw	3
13	Spring Cover	1	41	Thread Rubber Cover	1
14	Spring Core	1	42	Thread	1
15	Spring	1	43	Copper Hose Fastener	1
16	Spring Cover	1	44	Bolt	1
17	Bolt	3	45	Hose Stopper	1
18	Bolt	2	46	Nut	4
19	Hose Fixity	1	47	Screw	4
20	Nut	6	48	Guide Plate	1
21	Hose Spring Protector	1	49	Guide Roller (Long )	2
22	Bolt	3	50	Guide Roller Axle (Long )	2
23	Drum	1	51	Guide Roller (Short)	2
24	Drum	1	52	Nut	4
25	Hub Bearing Assem	1	53	Guide Roller Axle (Short)	2
26	Rachet Wheel	1	54	Guide Sub-Plate	2
27	Nut	3	55	Hose	1
28	Locking Nut	1	56	Label	3

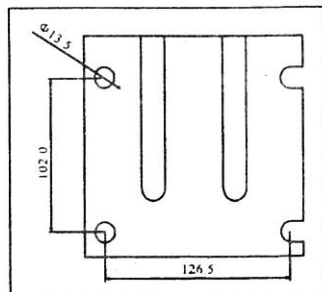
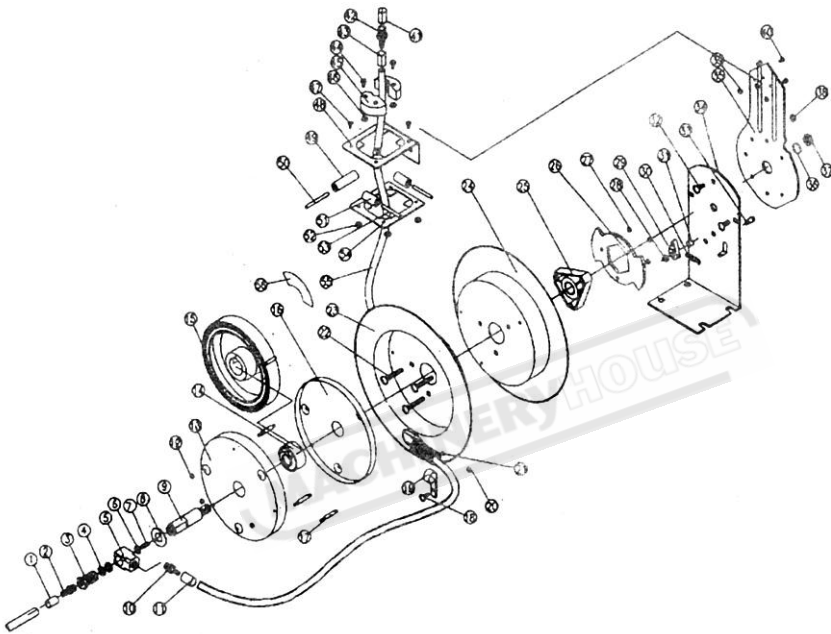
# Assembly Drawing

3/8"ID, 25FT~30FT



# Assembly Drawing

3/8"ID, 50FT
1/2"ID, 33FT



# Assembly Drawing

3/8"ID, 65~100FT

1/2"ID, 50FT~65FT

