

(G610) LG-7  
Lathe Chuck Guard  
Diagram

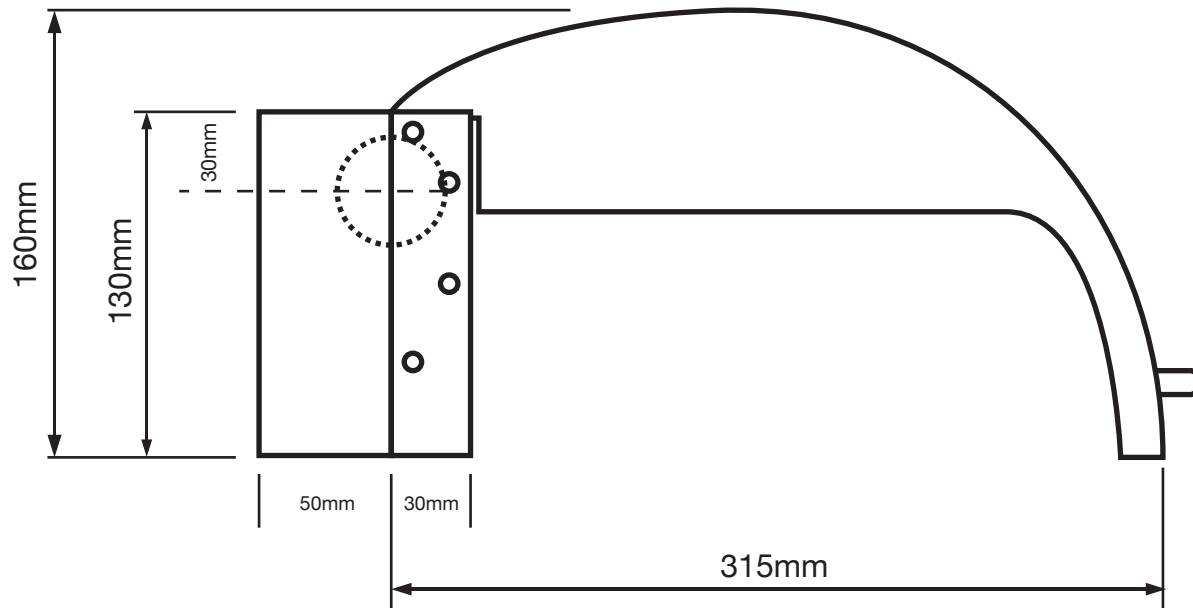
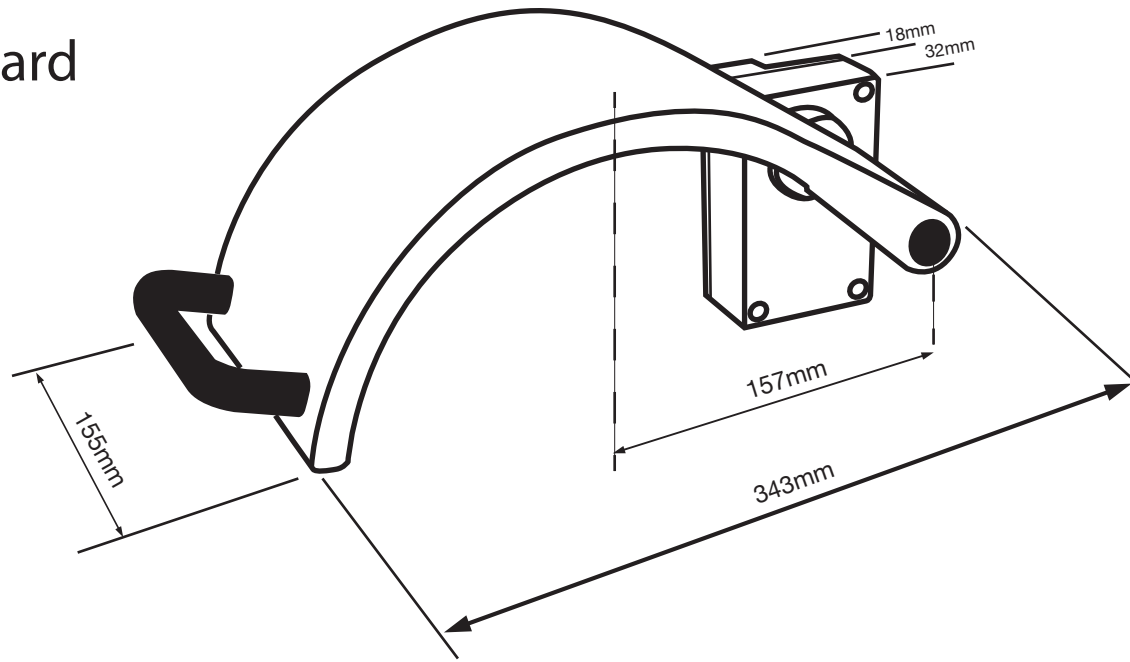


Diagram not to scale