

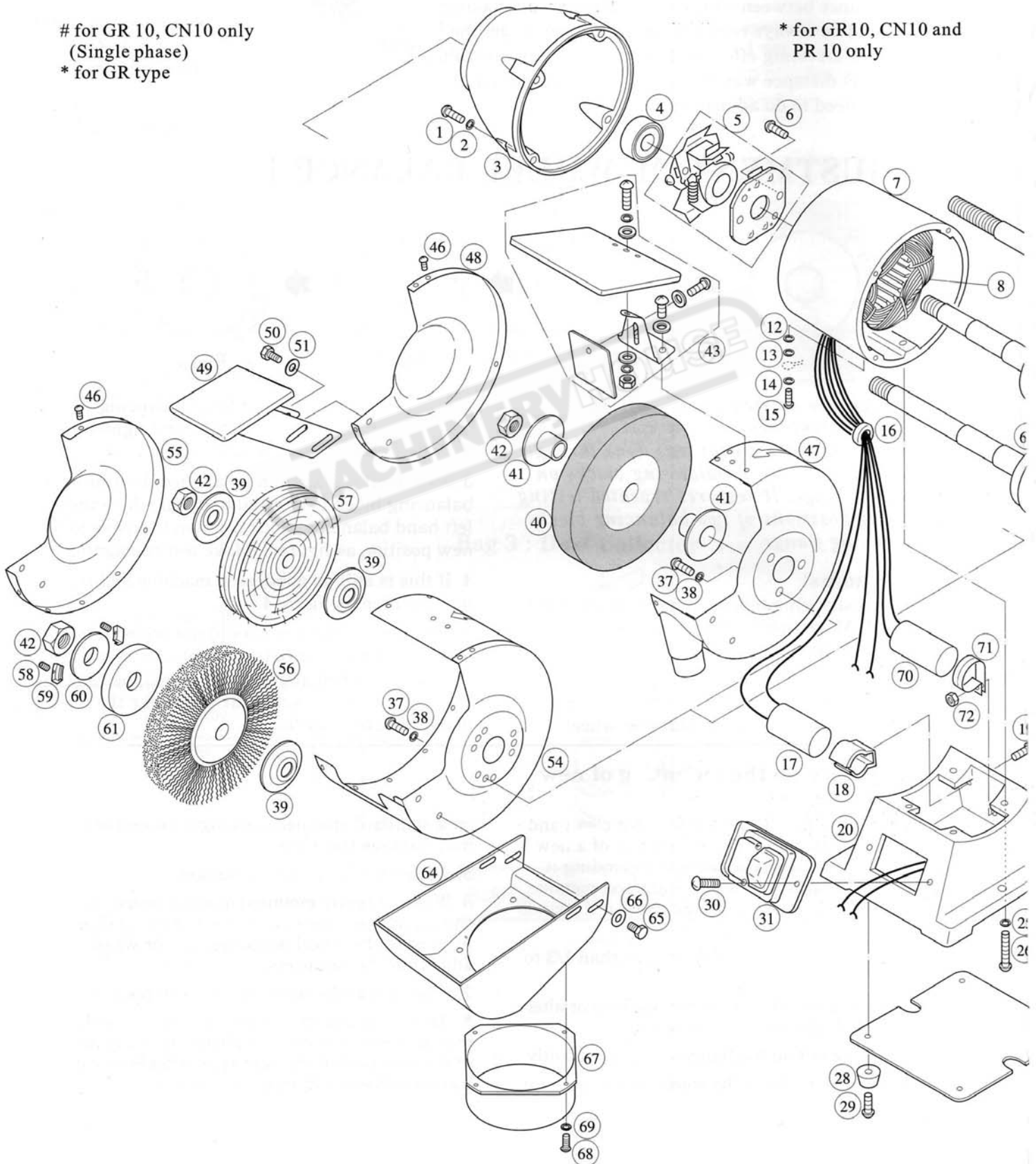
[EXPLODED VIEW]

- | | | | |
|-------------------------|-----------------------|--------------------|-------------------------|
| 1. Screw | 10. Fan | 20. Grinding Base | 30. Screw |
| 2. Spring Washer | 11. Right Support | 21. Screw | 31. NVR |
| 3. Left Support | 12. Ext. Washer | 22. Cable Strainer | 32. Overload Protector* |
| 4. Ball Bearing | 13. Copper Set | 23. Fixing Plate | 34. Spring Washer* |
| 5. Centrifugal Switch # | 14. Int. Washer | 24. Power Cord | 35. Hex. Nut* |
| 6. Screw | 15. Screw | 25. Washer | 36. Screw |
| 7. Stator Housing | 16. Grommet Rubber | 26. Screw | 37. Screw |
| 8. Stator | 17. Running Capacitor | 27. Base Plate | 38. Spring Washer |
| 9. Rotor Shaft* | 18. Clamp | 28. Pad | 39. Disc Washer |
| | 19. Screw | 29. Screw | |

for GR 10, CN10 only
(Single phase)

* for GR type

* for GR10, CN10 and
PR 10 only



- 40. Grinding Wheel
- 41. Sleeve
- 42. Hex. Nut
- 43. Eyeshield Set
- 44. Right Int. Cover A
- 45. Right Wheel Cover A
- 46. Screw
- 47. Left Int. Cover A
- 48. Left Wheel Cover A
- 49. Toolrest

- 50. Hex. Bolt
- 51. Washer
- 52. Right Int. Cover B
- 53. Right Wheel Cover B
- 54. Left Int. Cover B
- 55. Left Wheel Cover B
- 56. Wire Brush
- 57. MOP/Buffer
- 58. Set Screw
- 59. Balance Block

- 60. Washer
- 61. Balancing Flange
- 62. Rotor Shaft*1
- 63. Rotor Shaft*2
- 64. Dust Collector
- 65. Hex. Bolt
- 66. Washer
- 67. Chip Outlet
- 68. Screw
- 69. Spring Washer

- 70. Starting Capacitor *
- 71. Clamp *
- 72. Hex. Nut *
- 73. Wiring Board

44+45+47+48 for GR type
 47+48+52+53 for CN type
 52+53+54+55 for PR type

*1 for CN type
 *2 for PR type

*for GR 10, CN10 only
 (Single phase)

