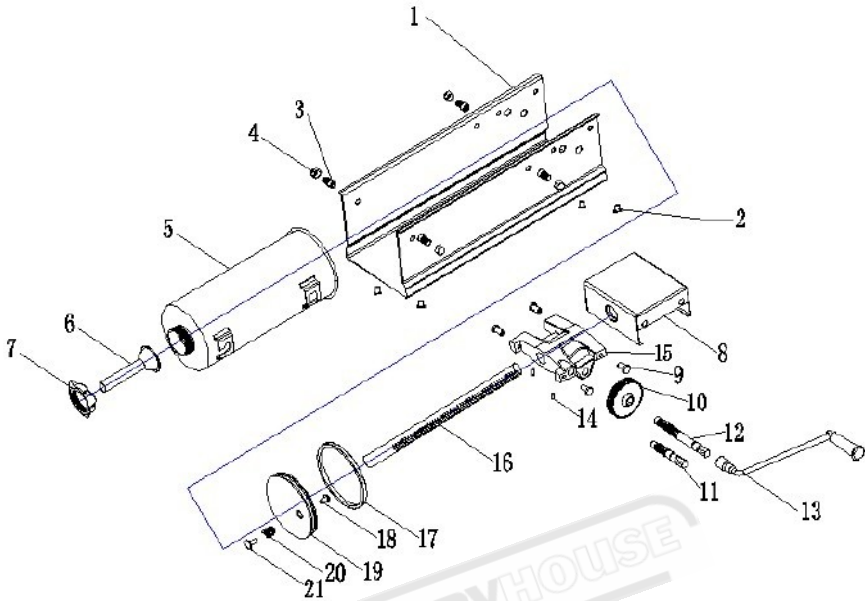


4、 Rack Type Sausage Stuffer/Filler (Horizontal) Diagram



| SN | Name | Quantity | SN | Name | Quantity |
|----|-------------------------|----------|----|--------------------|----------|
| 1 | S/S Frame | 1 | 13 | Crank Handle | 1 |
| 2 | Rubber Feet | 4 | 14 | S/S crossing screw | 1 |
| 3 | Inner hex screw | 4 | 15 | Gear seat | 1 |
| 4 | Domed nut | 4 | 16 | Rack | 1 |
| 5 | S/S cylinder | 1 | 17 | Gasket | 1 |
| 6 | Nozzle set | 4 | 18 | S/S Crossing screw | 1 |
| 7 | Nozzle nut(locking nut) | 1 | 19 | Plunger | 1 |
| 8 | Gearbox cover | 1 | 20 | Spring | 1 |
| 9 | Inner hex screw | 4 | 21 | Exhaust pin | 1 |
| 10 | Gear | 1 | 22 | Bar | 1 |
| 11 | Gear shaft – small | 1 | 23 | Nut | 2 |
| 12 | Gear shaft - big | 1 | | | |

TECHNICAL PARAMETER SUBJECT TO CHANGE WITHOUT NOTICE.

www.machineryhouse.com.au

www.machineryhouse.co.nz