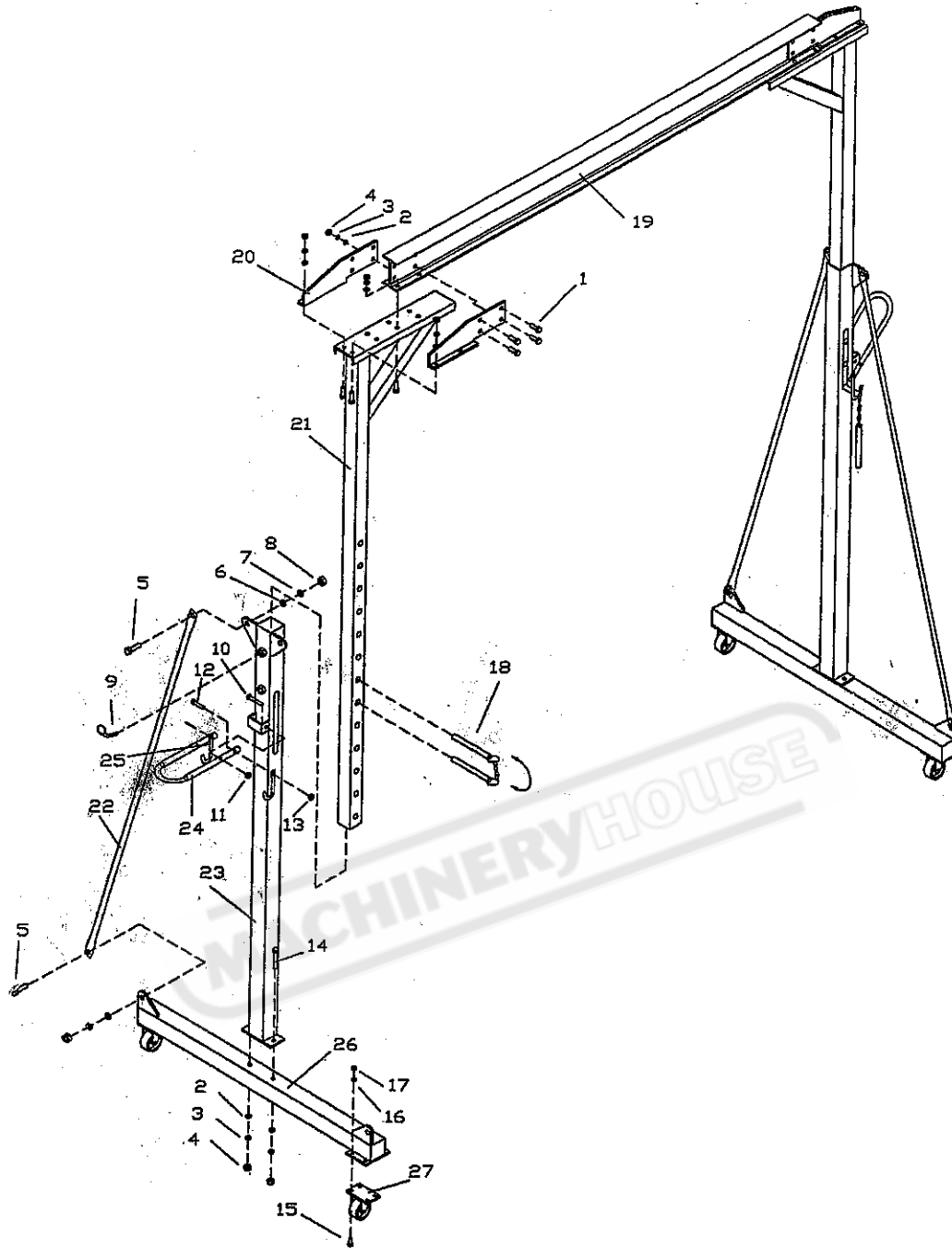


1T CRANE



PART	DESCRIPTION	QTY	PART	DESCRIPTION	QTY
1	Bolt M12X35	24	14	Bolt M12X100	4
2	ø12 washer	28	15	Bolt M10X30	16
3	ø12 spring washer	28	16	ø10 spring washer	16
4	M12 nut	28	17	M10 nut	16
5	Bolt M14X40	8	18	Pin	4
6	ø14 washer	8	19	Crossbeam	1
7	ø14 spring washer	8	20	Plate	4
8	M14 nut	8	21	Inner Vertical Post	2
9	M12 Bolt	4	22	Support Tube	4
10	Bolt M10X60	4	23	Outer Vertical Post	2
11	M10 nut	4	24	Handle	2
12	Bolt M8X40	4	25	Pin	4
13	M8 nut	4	26	Base assembly	2
			27	Wheel	4