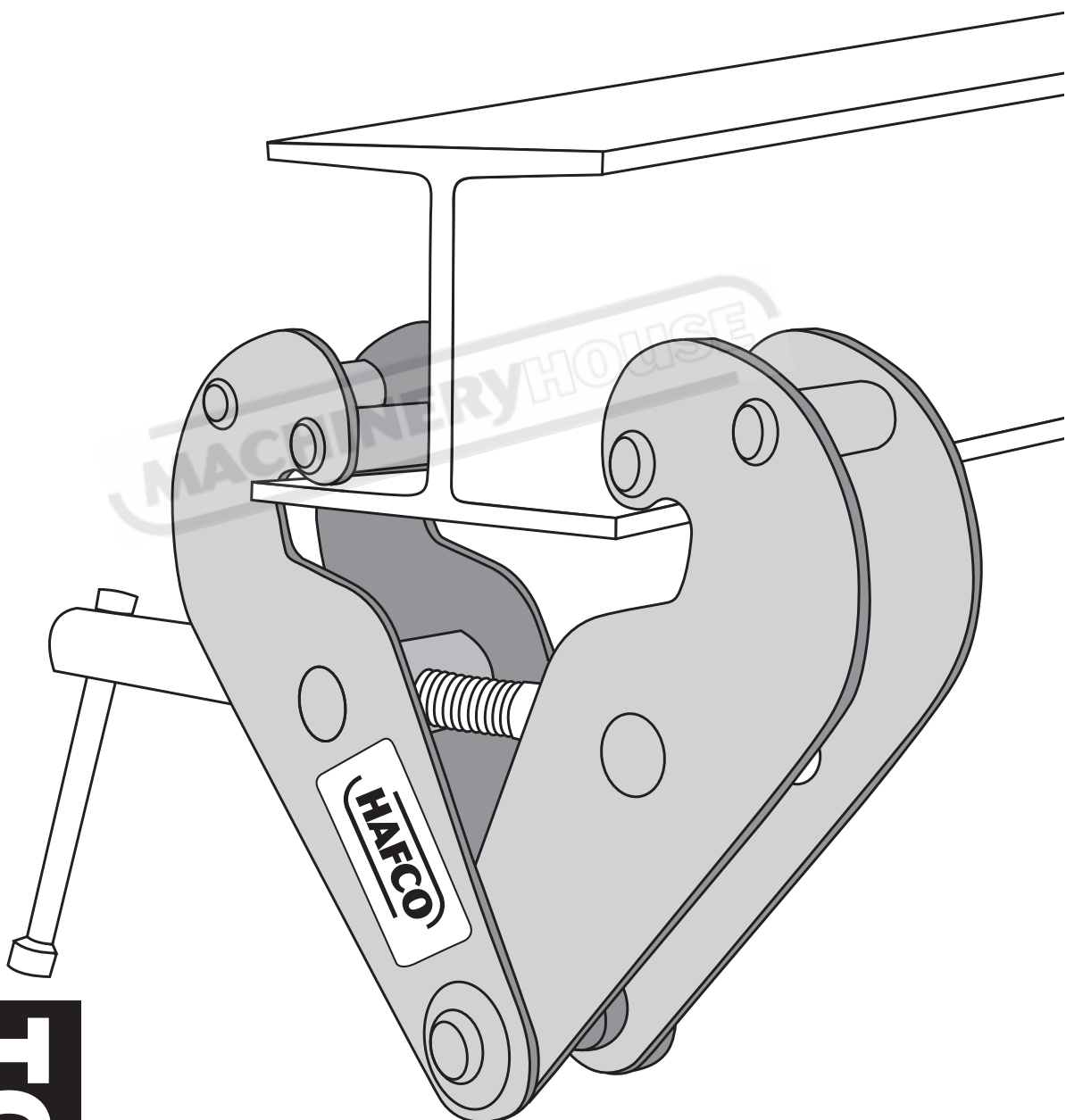


**HAFCO**

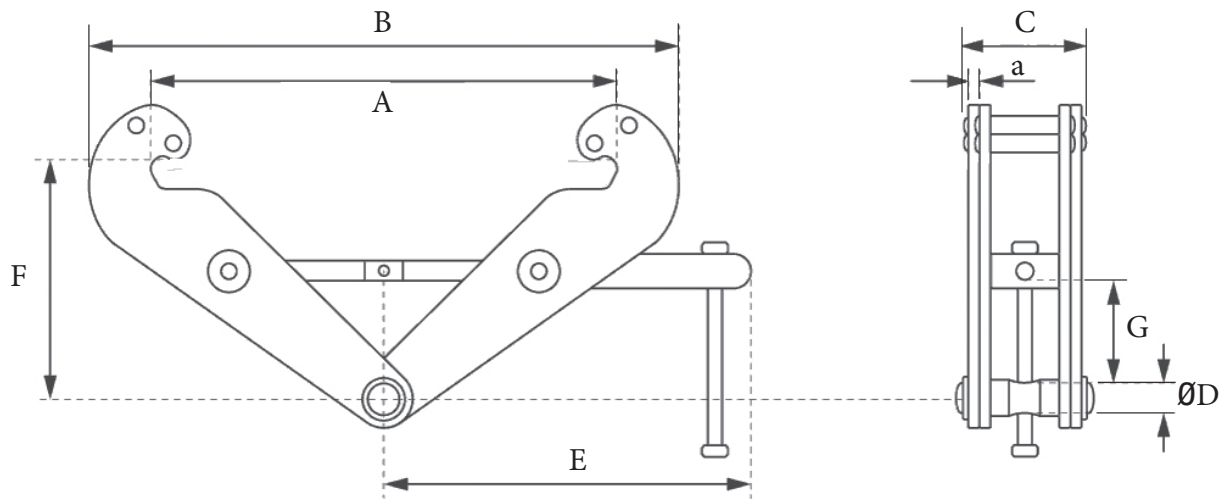
# HGC-1T GIRDER CLAMP

*Instruction manual*



**1 TON**  
**WLL**

Complies with AS/NZS4991



|                   |          |     |     |
|-------------------|----------|-----|-----|
| Model             | HGC-1T   |     |     |
| Rated Capacity kg | 1000     |     |     |
| Beam Width        | 75-230mm |     |     |
| Dimensions<br>mm  | Amax     | 284 |     |
|                   | B        | Min | 180 |
|                   |          | Max | 375 |
|                   | C        | 80  |     |
|                   | a        | 4   |     |
|                   | E        | 220 |     |
|                   | F        | Min | 102 |
|                   |          | Max | 160 |
|                   | G min    | 29  |     |
|                   | ØD       | 20  |     |
| Net weight        | kg       | 4   |     |

## INSTRUCTIONS FOR THE SAFE USE OF GIRDER CLAMPS

### Before using the beam clamp

1. Ensure the identification plate is in place and the weight capacity is clearly legible.
2. Check the pivot points to insure they have free movement
3. Inspect the beam clamp for signs of distortion, cracking, wear, and for any corrosion. Attention should be made to the thread. The thread should be rotated, and should result in the opening and closing of the clamp without restriction. Machine oil or grease should be applied to the thread to maintain the thread.

### Using beam clamps safely

- Ensure that the beam clamp is of the correct capacity for the load being lifted and that the beam or clamp will not be damaged by overloading.
- Ensure that the clamp is fitted correctly over the centre of the item being lifted and will not be subjected to side loading.

### In-service inspection and maintenance

- Ensure that beam clamps are kept clean and moving parts are lubricated.
- Regularly inspect beam clamps for wear, damage, distortion, cracks and any defects likely to cause the beam clamp to fail or be dangerous.

If any of the above defects are found remove the beam clamp from service and refer to a competent person for inspection and testing.