



PARTS LIST

CHART 1 SAW BOW 33-35

CHART 2 BLADE GUIDE ARMS 36-37

CHART 3 BASE ASSEMBLY AND BED 38-41

MACHINERY HOUSE

CHART 1 SAW BOW

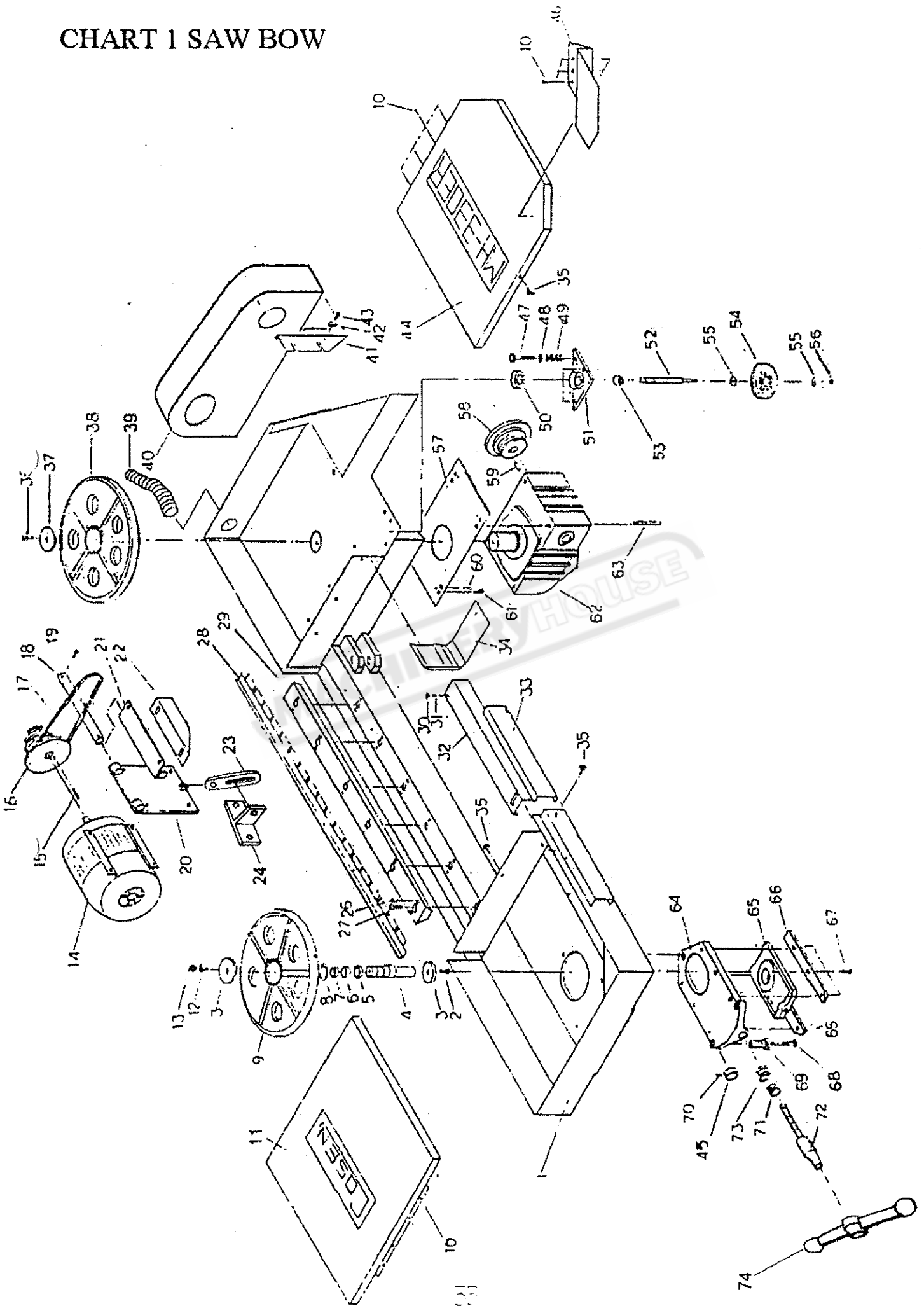


CHART 1 SAW BOW

NO.	PART NO.	PART NAME	PART SPEC.	QTY
1	MER-3001	SAW BOW		1
2		SCREW	M12 X 25	1
3	MBR-9127	WASHER		2
4	MER-3102	IDLE WHEEL SHAFT		1
5	PP-14255	BEARING	6007Z	1
6	MER-3103	BEARING WASHER		1
7	PP-14255	BEARING	6007Z	1
8		SNAP RING		1
9	MER-3101	IDLE WHEEL		1
10		SCREW	M4 X 10L	14
11	MER-3104	WHEEL COVER		1
12		SCREW	M12 X 20L	1
13		NIPPLE		1
14	PP-31041	MOTOR	2HP,4P,60HZ,230/460V	1
15		KEY	8 X 8 X 50	1
16	SJY-1119	MOTOR PULLEY		1
17	PP-56131	BELT	A-43	1
18	MER-3011	SET PIPE		1
19		SPLITE PIN		2
20	MER-3007	MOTOR BASE PLATE		1
21		SET PLATE		1
22		SUPPORT PLATE		1
23	MER-3008	ADJUSTING PLATE		2
24	MER-3009	FASTENING BRACKET	M6 X 25L	2
25				
26		SET SCREW	M8 X 20L	12
27		SCREW	M10 X 35L	6
28		BLADE SAFE COVER		1
29	MER-3201	SLIDE PLATE		1
30		WING NUT	M6	1
31		SET SCREW	M6 X 20L	1
32	MBR-9105	SAW BLADE COVER		1
33	MBR-9104	U SLOT		1
34		WIRE BRUSH COVER B		1
35		SCREW	1/4 UNC - 1/2	4
36		SCREW	M12 X 35L	1
37	MER-3107	WASHER		1
38	MER-3105	DRIVE WHEEL		1
39		ELECTRIC CONDUIT		1
40	MER-3005	PULLEY COVER		1
41		PULLEY COVER SET PLATE		1
42		WASHER	M10	2
43		SCREW		2
44	MER-3106	WHEEL COVER		1
45		SCREW COLLAR		1

CHART 1 SAW BOW

NO.	PART NO.	PART NAME	PART SPEC.	QTY
46	MBR-9133	WIRE BRUSH COVER A		1
47		SCREW	M8 X 80L	3
48		WASHER		3
49		SPRING		3
50	MBR-9131	BRUSH DRIVE WHEEL		1
51	MBR-9132	BEARING BASE		1
52	MBR-9129	BRUSH SHAFT		1
53	PP-14289	BEARING	6902 ZZ	1
54	PP-58002	WIRE BRUSH	90MM * 8MM #0.3	1
55		WASHER		2
56		NUT	M8	1
57		REDUCER PLATE		1
58	MER-3004	REDUCER PULLEY		1
59		KEY	7 X 7 X 50	1
60		ADJUSTING SCREW	M8 X 20L	4
61		SCREW	M10 X 20L	4
62	PP-16045A	REDUCER	#80, 1/30	1
63		SET SCREW	M10 X 40L	4
64	MBR-91819	TENSION PLATE SET		1
65		ADJUSTING SLIDE		DELETED
66		GUIDE PLATE		DELETED
67		SCREW	1/4 UNC -3/4	6
68		SCREW	M12 X 70L	3
69	MJA-2056	ADJUSTING SCREW	5/8	3
70		SPRING PIN	M3	2
71	PP-14812	BEARING	51103	4
72	MBR-9128A	BLADE TENISON SCREW		1
73		SPRING WASHER		1
74	MER-3002	HANDLE BAR		
75				
76				
77				
78				
79				
80				
81				
82				
83				
84				
85				
86				
87				
88				
89				
90				

CHART 2 BLADE GUIDE ARMS

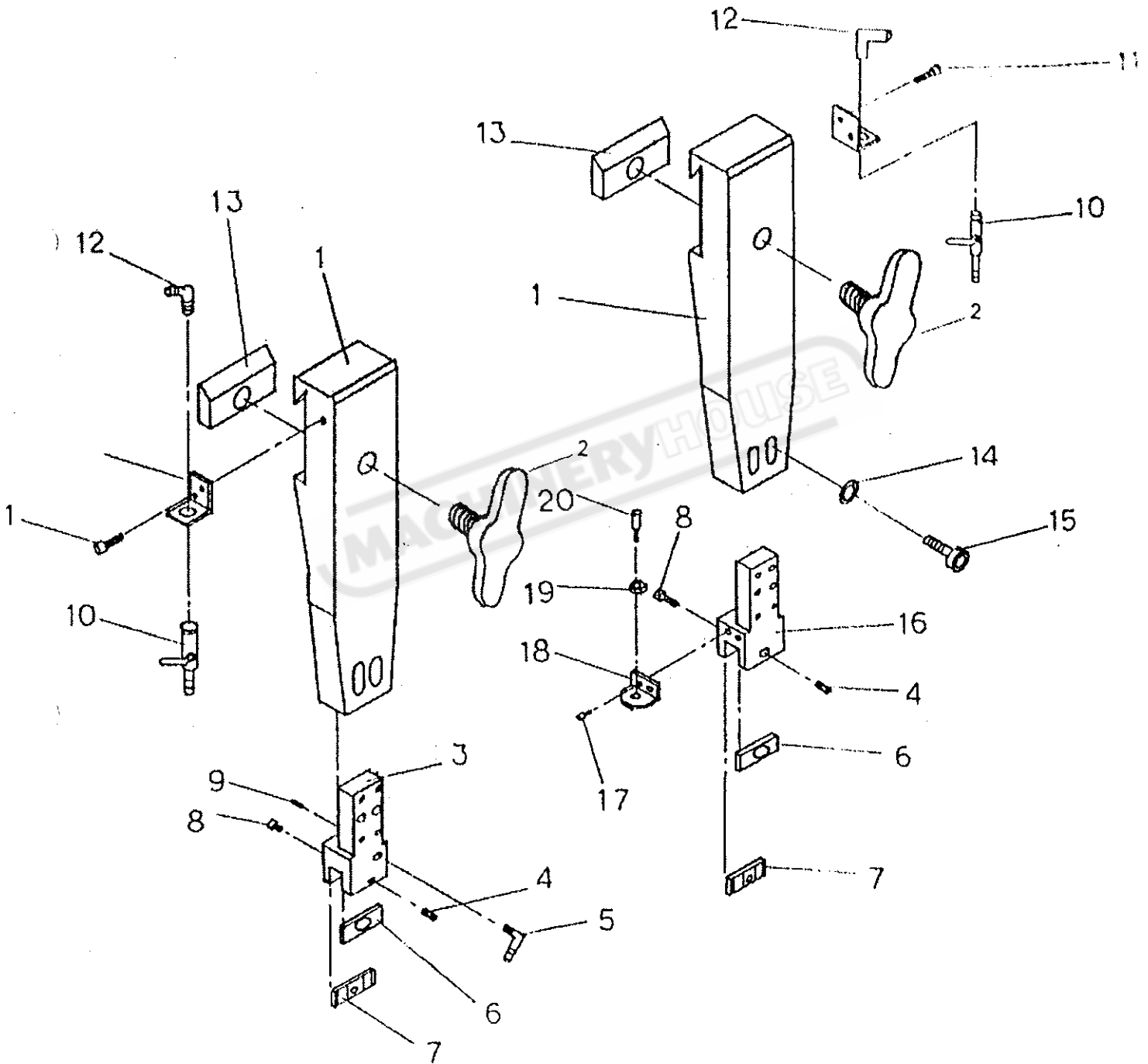


CHART 2 BLADE GUIDE ARMS

NO.	PART NO.	PART NAME	PART SPEC.	Q'TY
1	MER-3202,3203	GUIDE ARM(LEFT, RIGHT)		2
2	MJA-2031	BOLT		2
3	MER-3205	LEFT GUIDE HOUSING		1
4		SET SCREW	M6 X 20L	2
5		FITTING		1
6	MBR-9107	MOVABLE CARBIDE PAD		2
7	MBR-9106	FIXED CARBIDE PAD		2
8		SCREW	M8 X 10L	2
9		SET SCREW	M5 X 20L	8
10	PP-43132	COOLANT VALVE	1/8"	2
11		SCREW	M5 X 10L	4
12		FITTING	1/8PT	
13	MJA-2032	CLAMP BLOCK		2
14		WASHER		
15		SCREW	M8 X 15L	4
16	MER-3204	RIGHT GUIDE HOUSING		
17		SCREW	M4 X 10L	2
18		HOSE HOLDER		
19		NUT		
20	MAB-6014	COOLANT NOZZLE		
21	MER-3206	NAME PLATE OF GUIDE ARMS		
22				
23				
24				
25				
26				
27				
28				
29				
30				
31				
32				
33				
34				
35				
36				
37				
38				
39				
40				
41				
42				
43				
44				
45				

CHART 3 BASE ASSEMBLY AND BED

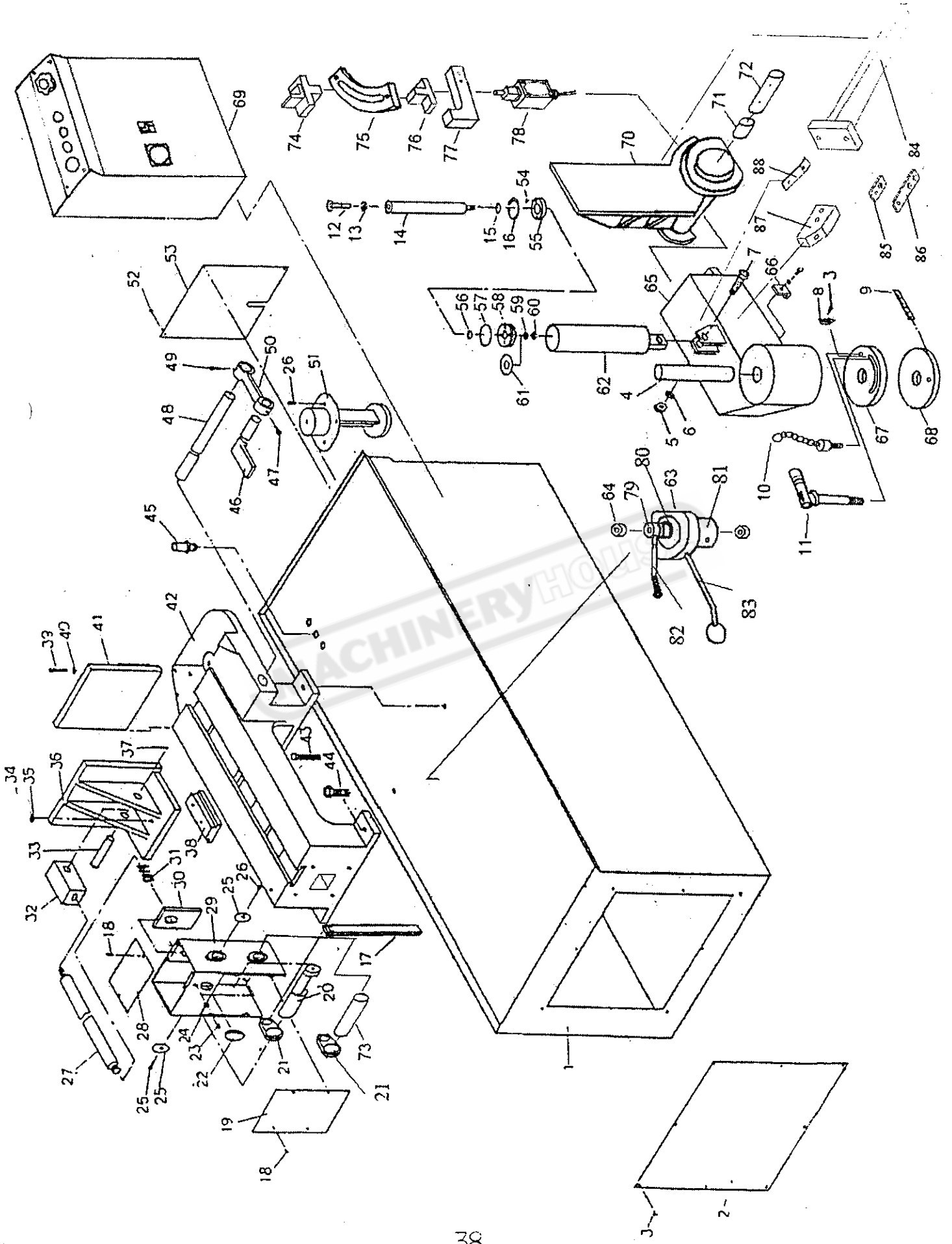


CHART 3 BASE ASSEMBLY AND BED

NO.	PART NO.	PART NAME	PART SPEC.	Q'TY
1	MER-1001	BASE		1
2	MER-1002	COVER		1
3		SCREW	M5 X 10L	14
4	MER-2103	TURNING AXIS		1
5		SET SCREW	M6 X 20L	2
6		WASHER		1
7		SCREW	M12 X 60L	1
8	MAJ-4007	POINTER		1
9	MER-2002	ANGLE SCALE		1
10		FASTENING PIN		1
11	MER-2003,2003-3	ANGLE LOCKING HANDLE BAR		1
12	PP-14483	LINK LEVER BEARING		1
13		NUT		1
14	MBR-9163	PISTON ROD		1
15	PP-51150	DUST SEAL	UHS-28	1
16		RETAINER	R63	1
17	MER-2202	PULL LEVER		1
18		SCREW	M5 X 10L	6
19	MER-2210	SIDE COVER		1
20	MER-2207	CLAMPING SHAFT		1
21	MER-2208	CLAMPING RADIAL ARM		2
22		KNOB	#50	1
23		SCREW	M12 X 70L	1
24		NUT		4
25		WASHER		1
26		SCREW	M6 X 10L	2
27	MBR-9030A	SLIDING VISE JAW SHAFT		1
28	MER-2209	COVER		1
29	MER-2201	CLAMPING POST WELDMENT		1
30	MER-2205	PUSH PLATE		1
31	MBR-9025	SPRING		1
32	MBR-9049	RAPID DRAW LEVER LINK PLATE		1
33				
34				
35				
36				
37				
38	MBR-9028	SLIDING BRACKET		1
39		SCREW	M14 X 40L	2
40		WASHER		2
41	MBR-9032	FIXED VISE JAW		1
42	MER-2001	BED		1
43		SCREW	M12 X 70L	4
44		SCREW	M22 X 50L	4
45		FITTING		3

CHART 3 BASE ASSEMBLY AND BED

NO.	PART NO.	PART NAME	PART SPEC.	Q'TY
46	MBR-9037	STOPPER		1
47		SCREW	M10 X 20L	1
48	MBR-9039	DEPTH BAR		1
49		SCREW	M10 X 20L	1
50	MBR-9036	STOPPER BRACKET		1
51	PP-32041	COOLANT PUMP	1/8 HP, 150L, 220/440 V	1
52		SCREW		4
53		PUMP COVER		1
54		SCREW	M8 X 10L	1
55	MBR-9159	UPPER CYLINDER CAP		1
56		O-RING	P-12	1
57	PP-51151	U-PACKING	UHSS3	1
58	MBR-9168	PISTON		1
59		WASHER		1
60		NUT		1
61		PISTON RUBBER		1
62	MBR-9164	CYLINDER		1
63	MER-2203	HANDLE BAR SET		1
64		NUT		2
65	MER-2101	TURNING JOINT BASE		1
66		FIXING BRACKET		1
67	MER-2105	CLAMPING RING		1
68	MER-2104	TURNING BASE		1
69	MER-5001	CONTROL BOX		1
70	MER-2107	JOINT BASE		1
71		DU BUSHING		1
72	MER-2102	JOINT AXIS		1
73	MER-2206	CLAMPING SHAFT		1
74	MER-3214	LIMIT STOPPER	SH-330ER only	1
75	SER-3210	UPPER LIMIT SLIDE PLATE	SH-330ER only	1
76	MER-3212	LIMIT NUT BLOCK	SH-330ER only	1
77	SER-3213	LIMIT SWITCH CARRIAGE	SH-330ER only	1
78	PP-90020	LIMIT SWITCH	SH-330ER only	1
79	MER-2211	TURNING AXIS		1
80	MER-2213	COLLAR		1
81	MER-2212	HANDLE BAR SEAT SUPPORT		1
82	MER-2204	PUSH LEVER		1
83	MBR-9019	HANDLE LEVER		1
84	MER-2004	SPRING HANGING BRACKET		1
85	MER-2006	SPRING HANGING PLATE (1)		1
86	MER-2006	SPRING HANGING PLATE (2)		1
87	MER-3211	SA WHEAD STOPPER		1
88	MER-3215	LOWER LIMIT STOPPER		1
89				
90				