

HAFCO

DELUXE SERIES



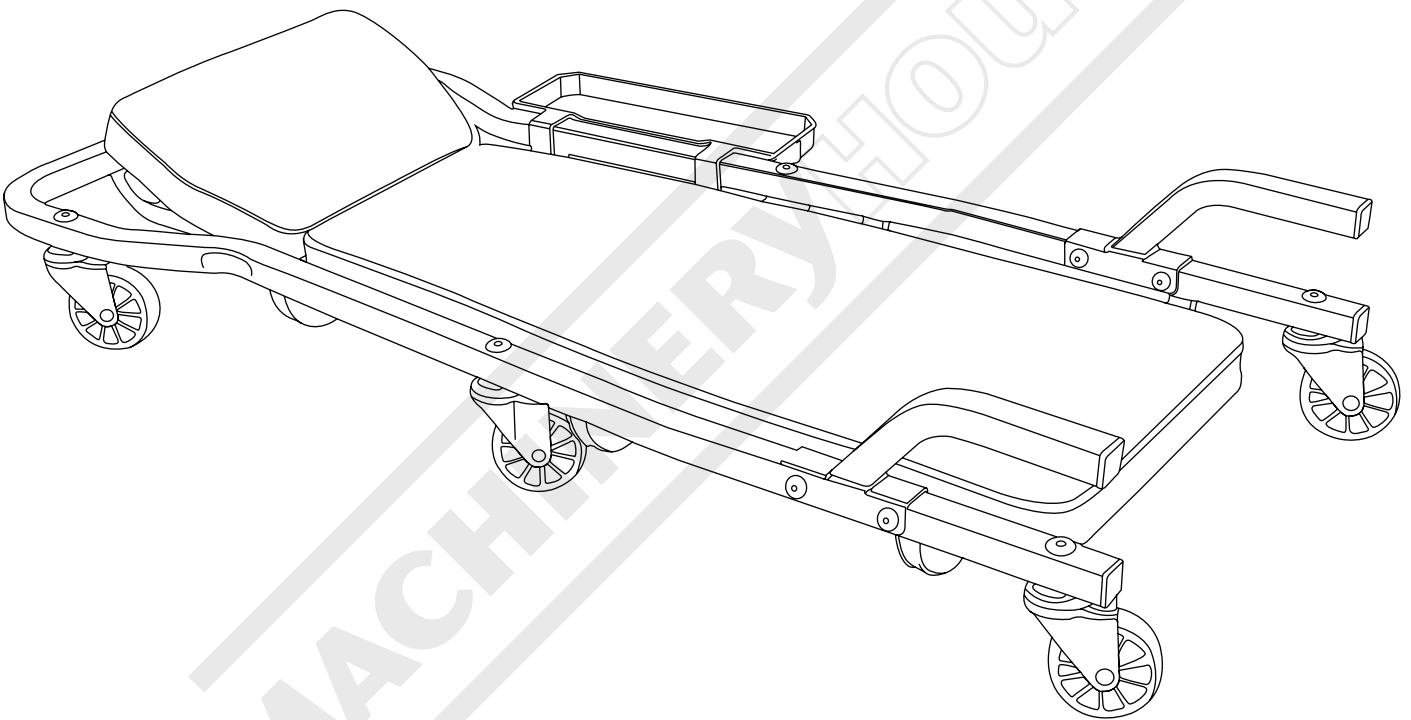
Swivel Casters



Adjustable Headrest



Tool Tray Holder



Edition : 1.0
Date: (11/24)

Instruction Manual

HEAVY DUTY MECHANICS CREEPER DELUXE SERIES

Order Code: (A362)

GENERAL SAFETY WHEN USING MECHANICS CREEPERS

DO NOT use this machine unless you have been instructed in its safe use and operation and have read and understood this manual



Safety glasses must be worn at all times in work areas.



A mask must be worn when excessive airborne dust is created.



Sturdy footwear must be worn at all times in work areas



Always wear appropriate clothing for your own protection when in use.



Hair nets are recommended while using this mechanics creeper.



Keep hands clear from wheels at all times or serious injury can occur.

PERSONAL PROTECTION EQUIPMENT. Protect yourself correctly, wear appropriate PPE.

SAFE WORKING ENVIRONMENT. Do not use this mechanic creeper in an unsafe manner. Always use a mechanics creeper on a flat solid surface. Do not enter under vehicles or objects with out correct safety support systems in place, If a vehicle or load is not supports correctly and falls while your underneath can cause death or serious injury.

THIS PRODUCT IS NOT A TOY. Do not allow children to play with or near this item and store out of reach of children.

USE AS INTENDED. Use the mechanics creeper and accessories as intended and in accordance with these instructions, taking into account the working conditions and the work to be performed. Use of the mechanics creeper for operations different from those intended could result in a serious injury.

SAFE ENVIRONMENT. Do not use this mechanics creeper on inclines, oily surfaces. Keep floor surface clean. Do not stand or ride on as serious injury can occur.

INSPECTION. Inspect before every use; do not use if parts are loose or damaged.

LOAD RATING. Do not exceed weight capacity of 136kg.

DYNAMIC LOADING. Be aware of dynamic loading! Sudden shifts in the load may briefly create excess load, which may result in product failure.

STORE WHEN NOT IN USE. Store idle equipment. When not in use, this product must be stored in a dry location to inhibit rust. Store out of reach of children.

WARNINGS. The warnings, cautions, and instructions discussed in this instruction manual cannot cover all possible conditions and situations that may occur. It must be understood by the operator that common sense and caution are factors which cannot be built into this product but must be supplied by the operator.

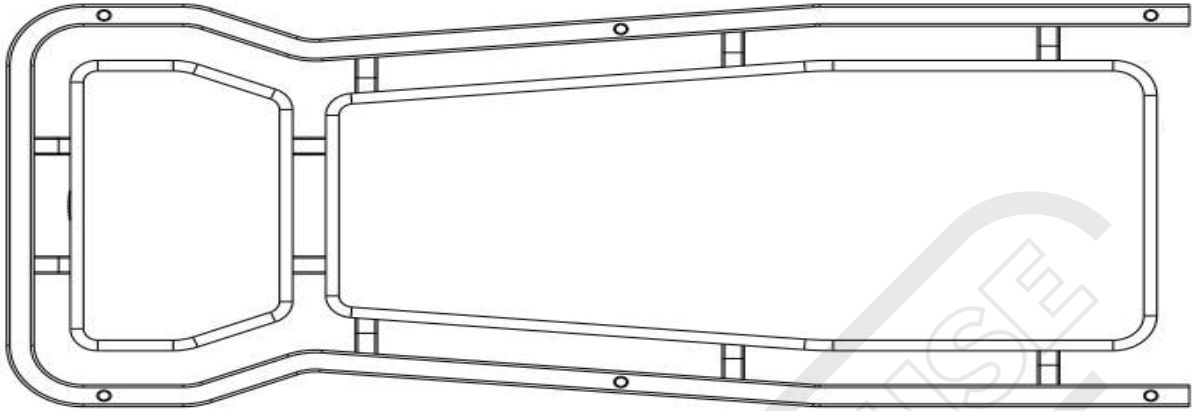


WARNING

***Do not stand or ride on creeper.
Serious injury can occur to the operator or bystanders.***

PARTS LIST

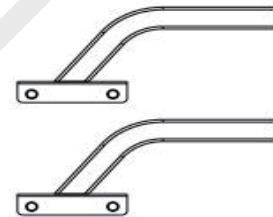
1 Body Frame (1pc)



2 3" Swivel Caster Wheels (6pcs)



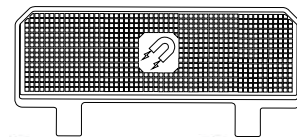
3 Support Handles (2pcs)



4 Tube Type - Wheel Nuts (6pcs)



6 Magnetic Plastic Tray (1pc)



5 Screws & Nuts (4 pairs)



7 Setting Tools (3pcs)

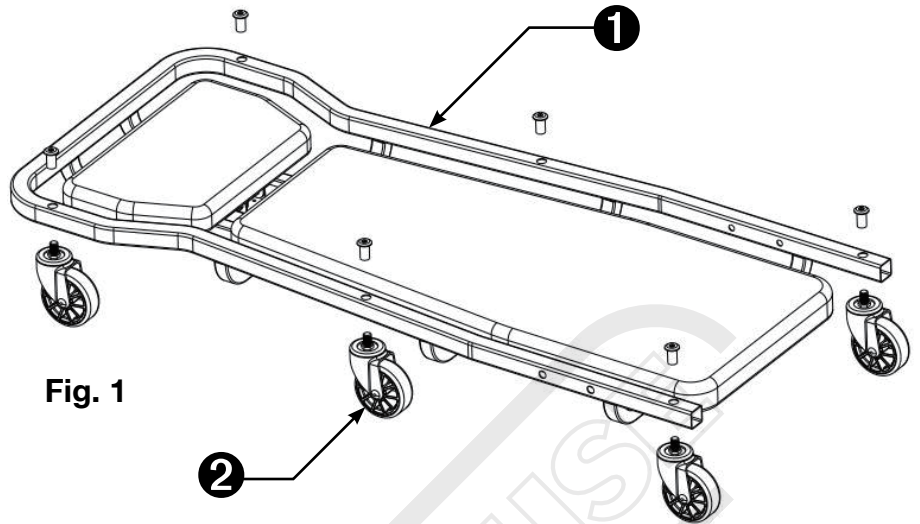


Part No.	Description	Quantity
1	Body Frame	1
2	3" Swivel Caster Wheels	6
3	Support Handles	2
4	Tube Type - Wheel Nuts	6
5	Screws & Nuts	4 pairs
6	Magnetic Plastic Tray	1
7	Setting Tools	3

ASSEMBLY

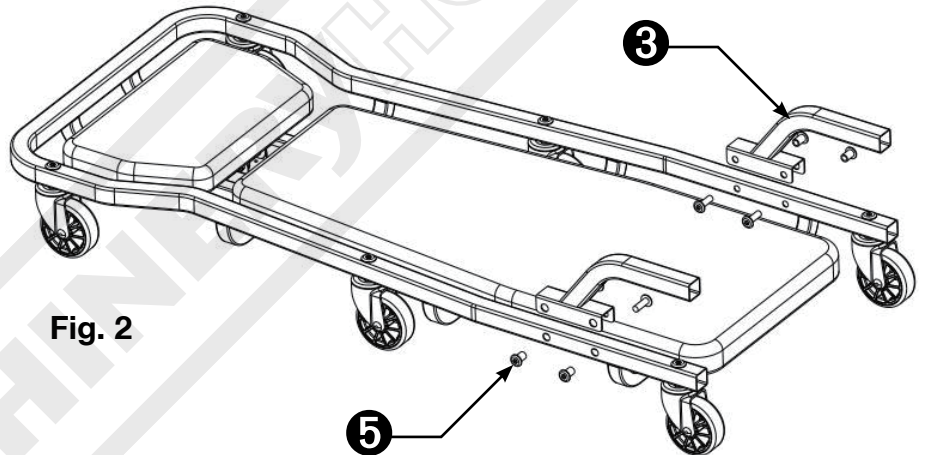
STEP 1:

Assemble the 6pcs 3" Swivel Caster Wheels (2) one by one onto the body frame (1) and fasten them with tube type wheel nuts (4) as shown in Fig. 1.



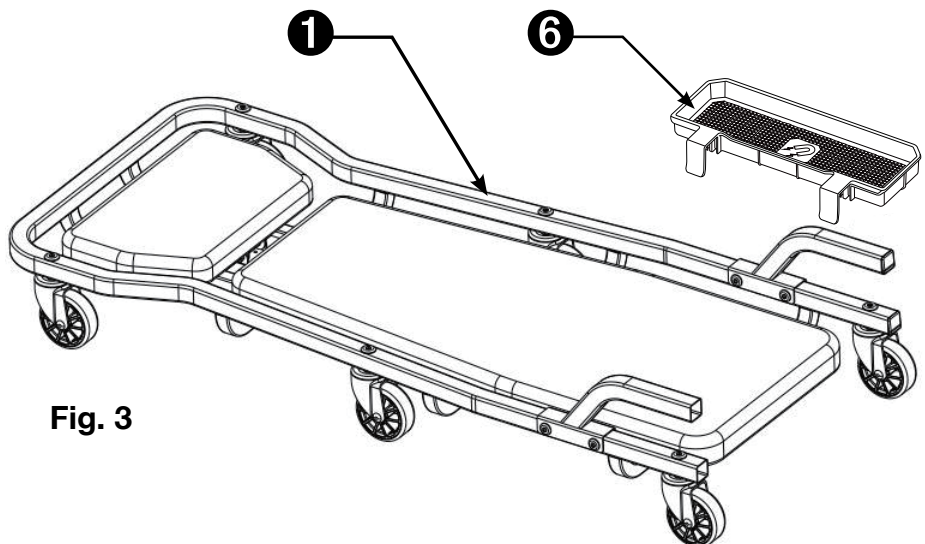
STEP 2:

Install the support handles (3) at both ends with screws and nuts (5) as shown in Fig. 2.



STEP 3:

Place the magnetic plastic tray (6) onto either side of the body frame (1) as shown in Fig. 3.





ENVIRONMENT PROTECTION

Recycle unwanted materials instead of disposing of them as waste. All tools, accessories and packaging should be sorted, taken to a recycling centre and disposed of in a manner which is compatible with the environment. When the product becomes completely unserviceable and requires disposal, drain any fluids (if applicable) into approved containers and dispose of the product and fluids according to local regulations.

Imported by

HARE & FORBES
MACHINERYHOUSE

Australian Distributor

Hare & Forbes
Machineryhouse
Sydney - Melbourne
Adelaide - Brisbane - Perth

Ph: 1300 202 200
www.machineryhouse.com.au

MACHINERYHOUSE

New Zealand Distributor

Machineryhouse
Auckland
Christchurch

Ph: 0800 142 326
www.machineryhouse.co.nz