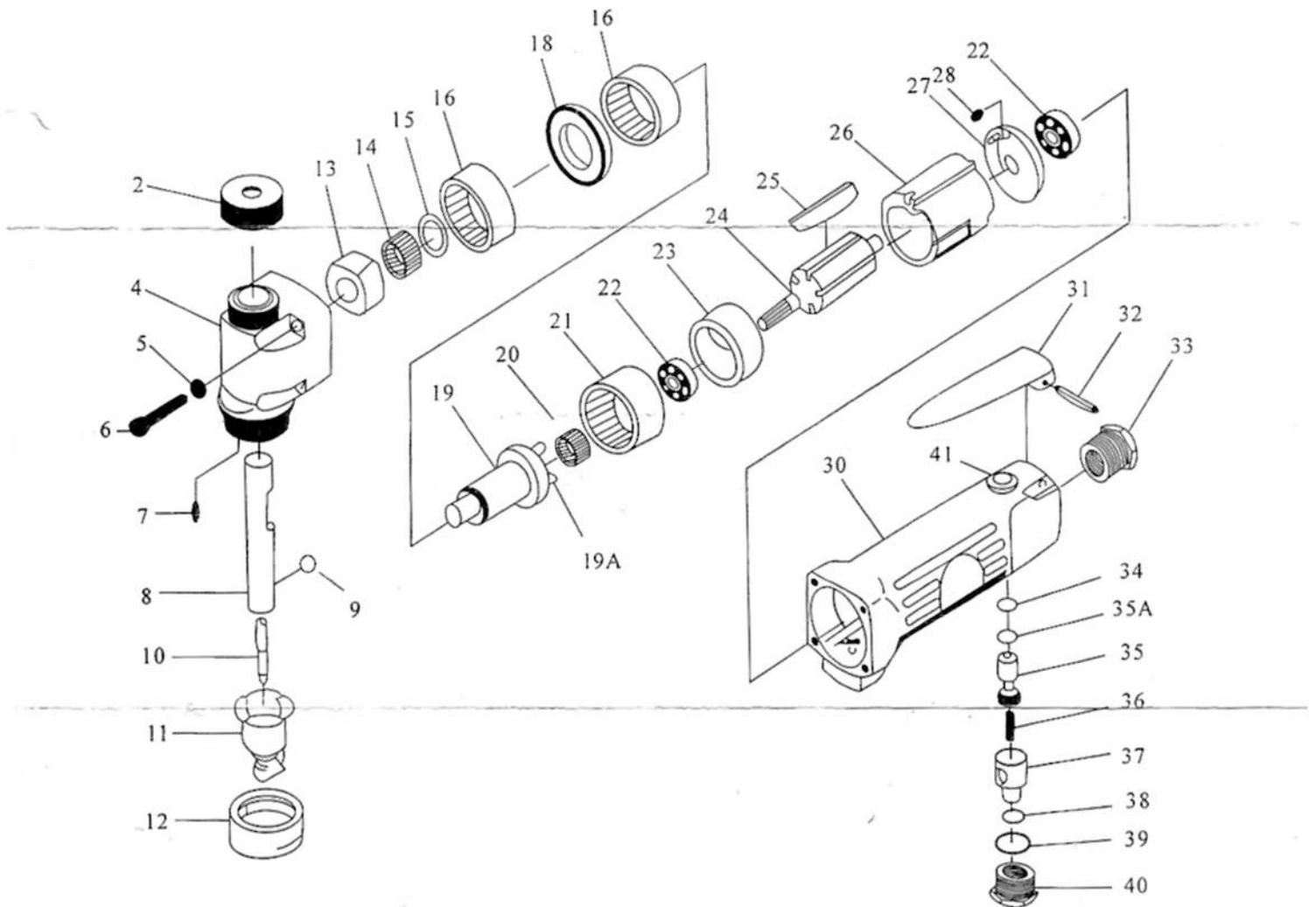


A082 NIBBLER PARTS LIST



Index No.	Parts.No.	Description	Q'ty Tool
2	302002	Head Gap	1
4	302004	Head	1
4A	302004A	Head Bushing	1
5	SWI-040B	Washer (φ 4)	4
6	B2-0425A	Screw (φ 4x25)	4
7	NR-25058	Pin (2.5x5.8)	1
8	302A08	Slide Pin	1
9	302A09	Set Screw	1
10	302A10	Ponch	1
11	302A11	Dies	1
12	302012	Lock Nut	1
13	302013	Cam	1
14	NR-30098	Needle Roller (Ae3x9.8)	13
15	STW-017	Retaining Ring(S17)	1
16	BB-60032	Ball Bearing (6003zz)	2
18	302018	Spacer	1
19	302019	Crank Shaft	1
19A	NR-40138	Pin (φ 4x13.8)	3
20	305007	Idler Gear	3
21	302021	Internal Gear	1

Index No.	Parts.No.	Description	Q'ty Tool
22	BB-06262	Ball Bearing (626zz)	2
23	302023	Front End Plate	1
24	302024	Rotor	1
25	302025	Rotor Blade	4
26	302026	Cylinder	1
27	302027	Rear End Plate	1
28	SP-25060	Pin (φ 2.5x6)	1
30	302030	Motor Housing	1
31	302031	Throttle Lever	1
32	SP-30230	Lever Pin (φ 3x23)	1
33	AR-38001	Inlt Bushing	1
34	302034	O-Ring (3.6x2.4)	1
35	302035	Valve Stem	1
35A	ORP-0050	O-Ring (P5)	1
36	301005	Valve Spring	1
37	302037	Air Regulator	1
38	ORP-0070	O-Ring (P7)	1
39	ORP-0120	O-Ring (P12)	1
40	302040	Throttle Valve Plug	1
41	302041	Valve Bushing	1