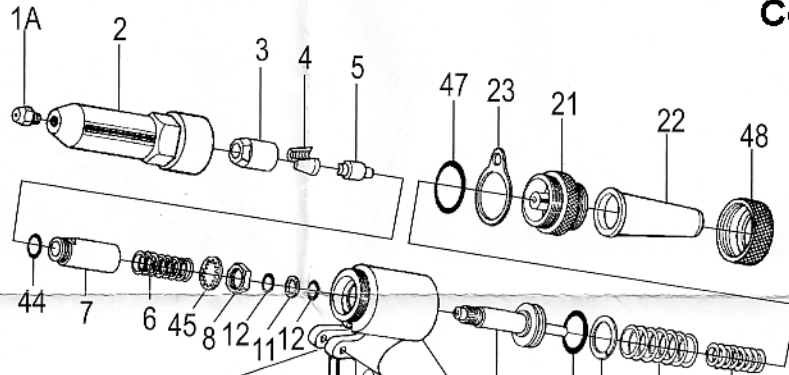
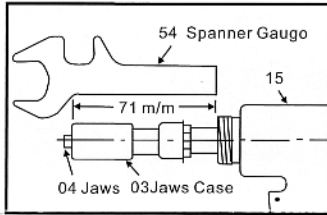


# HEAVY DUTY 3/16" (4.8mm)

# AIR HYDRAULIC RIVETER

Code A046

## ADJUSTING LENGTH



## SPECIFICATIONS

### TRACTION POWER:

1045 kg.f (2304 LBS.F)

STROKE LENGTH: 16m/m (0.63")

### NOSEPIECES:

3/32" (2.4 m/m)

1/8" (3.2 m/m)

5/32" (4.0 m/m)

3/16" (4.8 m/m)

### CAPACITY: FOR STEEL RIVETS

3/32" (2.4 m/m) ~ 3/16" (4.8 m/m)

### AIR PRESSURE:

78 - 85 P.S.I. (5.5kg/cm<sup>2</sup> - 6.0kg/cm<sup>2</sup>)

### AIR CONSUMPTION: 1.5 l/stroke

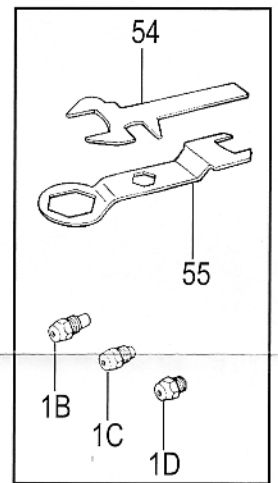
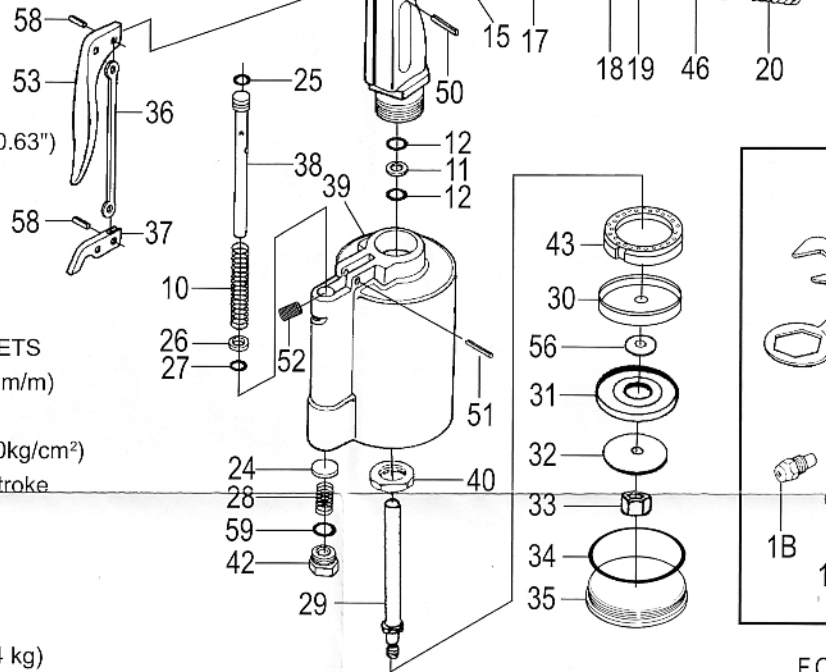
### AIR INLET: 1/4" PT(NPT)

### HOSE SIZE: 3/8" I.D.

### TOTAL HEIGHT: 271 m/m

### TOTAL LENGTH: 225 m/m

### NET WEIGHT: 3.17 LBS (1.44 kg)



F.O.R. 1PC / PRICE

No.	Parts Name	Q'ty	Price	No.	Parts Name	Q'ty	Price	No.	Parts Name	Q'ty	Price
1A	Nose Piece 4.8m/m(3/16")	1		20	Return Spring (Inner)	1		40	Frame Lock Nut	1	
1B	Nose Piece 4.0m/m(5/32")	1		21	Frame Cap	1		42	Nipple End Plug	1	
1C	Nose Piece 3.2m/m(1/8")	1		22	Safety Cap	1		43	Bumper (Rubber Cushion)	1	
1D	Nose Piece 2.4m/m(3/32")	1		23	Hanger Clip	1		44	O-Ring	1	
02	Nose Housing 87L	1		24	Valve (Disc)	1		45	Lock Washer	1	
2L	Long Nose Housing 162L	★		25	O-Ring	1		46	Return Spring (Outer)	1	
03	Jaws Case Head	1		26	Collar For Valve Pusher	1		47	O-Ring	1	
04	Jaws (5 x 10)	2		27	O-Ring	1		48	Safety Cap Nut	1	
05	Jaw Pusher	1		28	Valve Spring	1		50	Spring Pin	1	
06	Jaw Pusher spring	1		29	Air Piston Rod	1		51	Spring Pin	1	
07	Jaw Case Back Part	1		30	Bumper Seat	1		52	Lock Screw	1	
7L	Long Jaw Case Back Part	★		31	Cup Packing	1		53	Trigger (Long)	1	
08	Jaw Case Lock Nut	1		32	Piston Washer	1		54	Spanner Gauge 15, 14	1	
10	Valve Pusher Spring	1		33	Lock Nut	1		55	Spanner 24, 17, 10	1	
11	B-Ring	2		34	O-Ring	1		56	Piston Washer Seat	1	
12	O-Ring	4		35	Air Cylinder Cap	1		58	Spring Pin	2	
15	Frame	1		36	Trigger Connector Rod	1		59	O-Ring	1	
17	Oil Piston	1		37	Trigger Lever	1		60	Universal Joint(360°).0046A or B	★	
18	O-Ring	1		38	Valve Pusher Tube	1		61	Other thread Joint PM20	★	
19	B-Ring	1		39	Air Cylinder	1					

★ Optional Accessories

YS-011M