

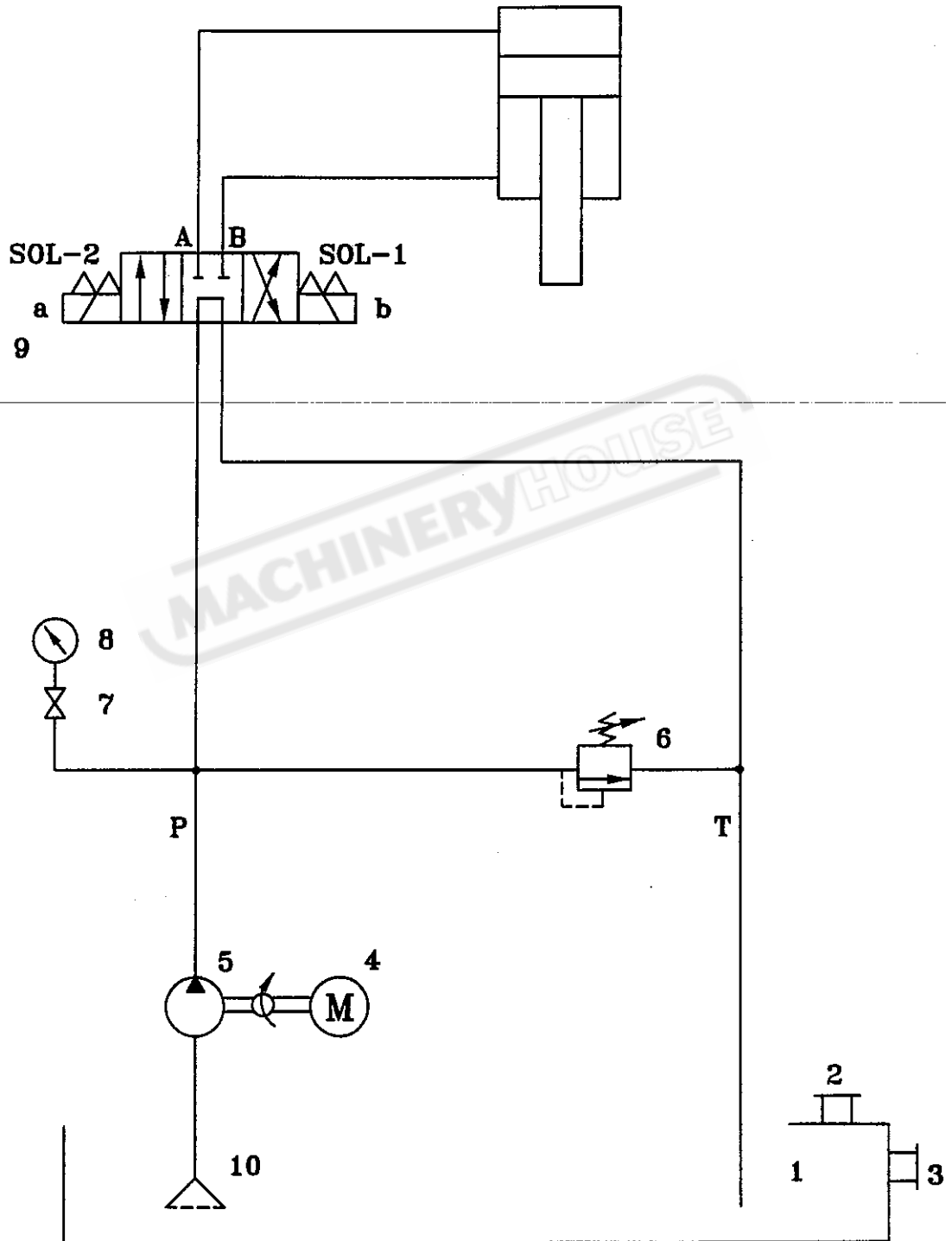
## Hydraulic Circuit Parts

### IW-45K

No.	Description	Q'ty	Specification / Part No.
1	Oil Tank	1	1602910
2	Filler Breather Filter	1	OLHW-HY-08A
3	Oil Level Gauge	1	OLHW-LG-4"
4	Motor	1	5HP
5	Pump	1	OLPM-SAL1-12
6	Relief Valve	1	OLOV-RPEC-FAN
7	Gauge Cock	1	OLOV-ST-02L
8	Pressure Gauge	1	OLOV-CB-LM-63-350KG
9	Solenoid Valve	1	OLSV-DFA-02-3C60
10	Suction Filer	1	OLFL-MF-086

# Hydraulic Circuit

## IW-45K



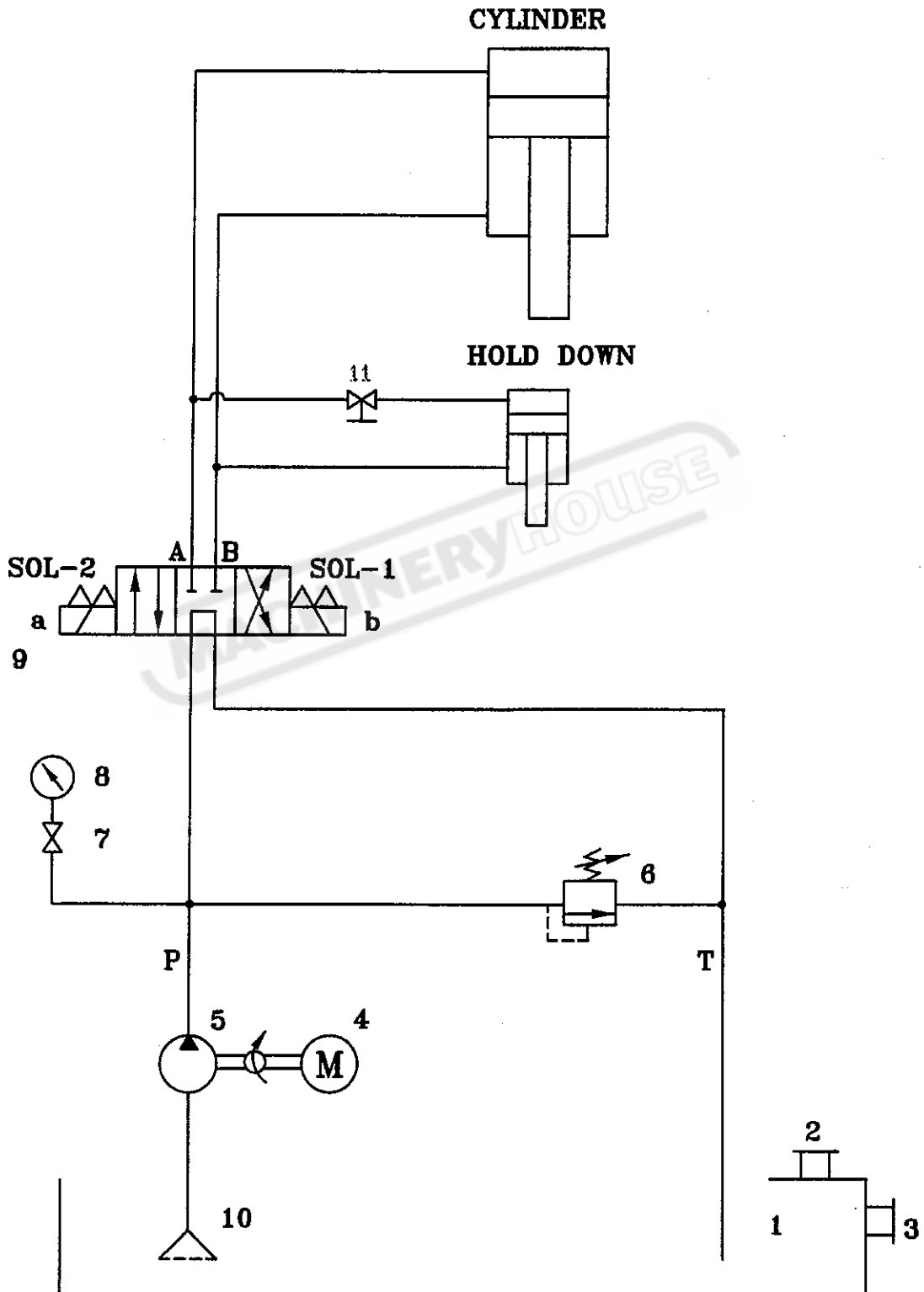
MACHINERYHOUSE

## Hydraulic Circuit Parts

### IW-60K

No.	Description	Q'ty	Specification / Part No.
1	Oil Tank	1	2902910
2	Filler Breather Filter	1	OLHW-HY-08A
3	Oil Level Gauge	1	OLHW-LG-4"
4	Motor	1	7.5HP
5	Pump	1	OLPM-SAL1-16
6	Relief Valve	1	OLOV-RPEC-FAN
7	Gauge Cock	1	OLOV-ST-02L
8	Pressure Gauge	1	OLOV-CB-LM-63-350KG
9	Solenoid Valve	1	OLSV-DFA-02-3C25
10	Suction Filer	1	OLFL-MF-106
11	Globe Valve	1	OLOV-4730061R

# Hydraulic Circuit IW-60K



## Electrical Parts

### IW-45K/60K (CE)

Code	Description	Q'ty	Function
QF	Motor Circuit Breaker	1	Motor Protection
FU1,FU2,FU3	Fuse	3	Control Circuit Protection
QS	Isolator Switch	1	Circuit Interrupter
SB1	Push-Lock Push Bottom	1	Emergency Stop
SB2	Flush Push Bottom (Red)	1	Pump Off
SB3	Flush Push Bottom (Green)	1	Pump On
SA1	Selector Switch	1	Normal/Jog Switch
SA2	Selector Switch	1	Shear/Notch Key Switch
FS	Foot Switch	1	Foot Switch Control
KA1	Relay	1	Ram Upward
KA2	Relay	1	Ram Downward
KA5	Relay	1	Sensor Control
SQ1	Limit Switch	1	Ram UP Limit Switch
SQ2	Limit Switch	1	Ram Down Limit Switch
SQ3	Limit Switch	1	Punch Safety Interlock
SQ4	Limit Switch	1	Notch Safety Interlock
SOL	Solenoid Valves	1	
KM	Magnetic Switch (Contactors)	1	
	Bridge Rectifiers	1	
TR	Transformer	1	